

AluSPAN Catalogue

External Batten System





Functionality

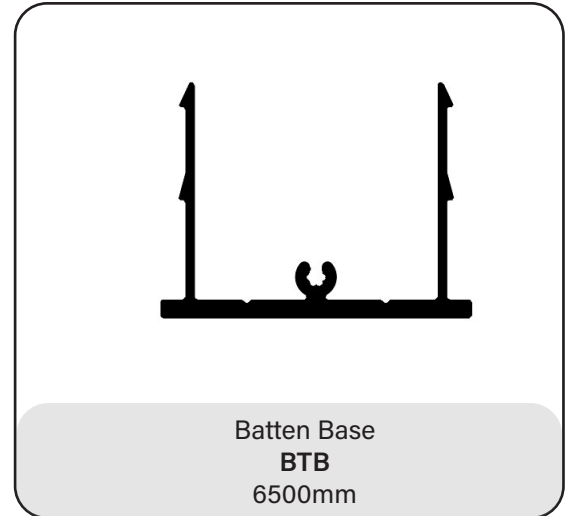
Aluminium Battens offer design flexibility suiting a range of decorative applications from fencing, window privacy screens, and full building facade installations. Aluminium Battens are commonly featured in architecturally designed homes for their effortless formation of line that creates texture and rhythm to any building's exterior.

The battens' light weight and simple 2-step assembly process make the system one that will guarantee convenient and reliable installation. Maintaining the battens is minimal with the aluminium ensuring the durability of your facade well into the future.

To customise the batten system to your project you have the opportunity to choose from our full range of powdercoating finishes as well as natural anodising. 39 luxurious Atwood Wood Finishes are also available for the system to be finished in to give the natural and realistic appearance of timber.

Technical Details

Our five available standard batten system sizes all use the same base. Counter Sunk Screw are also used on the following five systems to ensure superior strength well into the future duration of the exterior battens system.

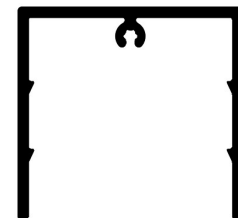


Available Batten Options

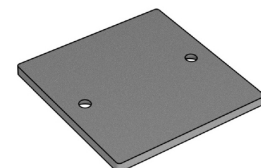
Our external battens system is available for sizes including the

- 50mm x 50mm
- 50mm x 100mm
- 50mm x 150mm
- 50mm x 200mm
- 50mm x 300mm

50mm Batten
BT50
6500mm



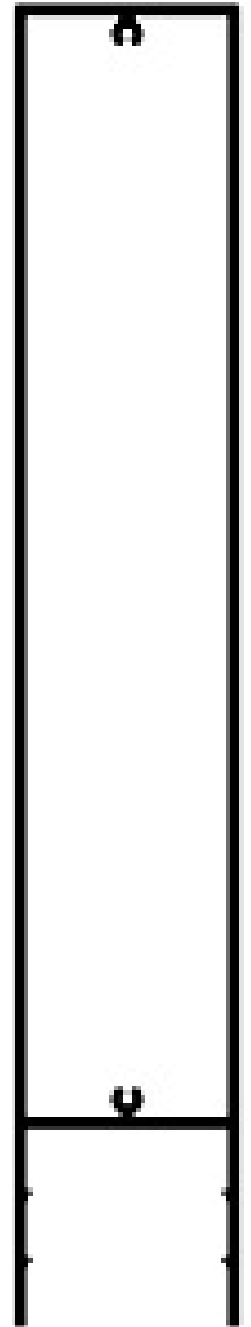
50mm End Cap
ECB-50
Pack Size: 1



*End caps are powdercoated to match the batten section.
*Each sold separately.

Available Batten Options

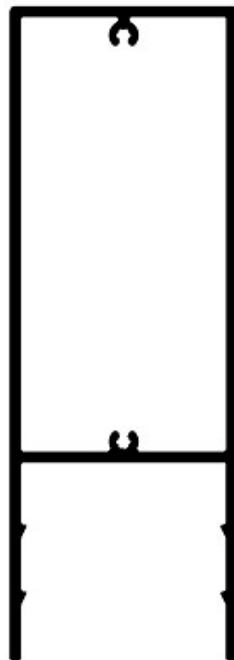
300mm Batten
BT300 300
6500mm



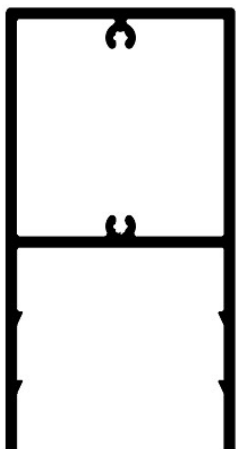
200mm Batten
BT200
6500mm



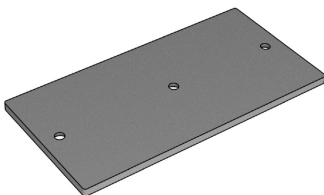
150mm Batten
BT150
6500mm



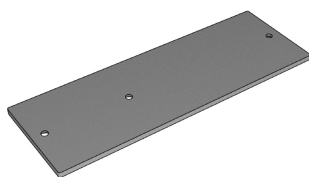
100mm Batten
BT100
6500mm



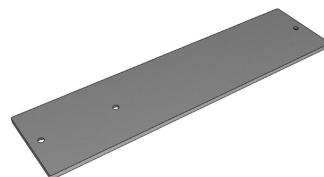
100mm End Cap
ECB-100
Pack Size: 1



150mm End Cap
ECB-150
Pack Size: 1



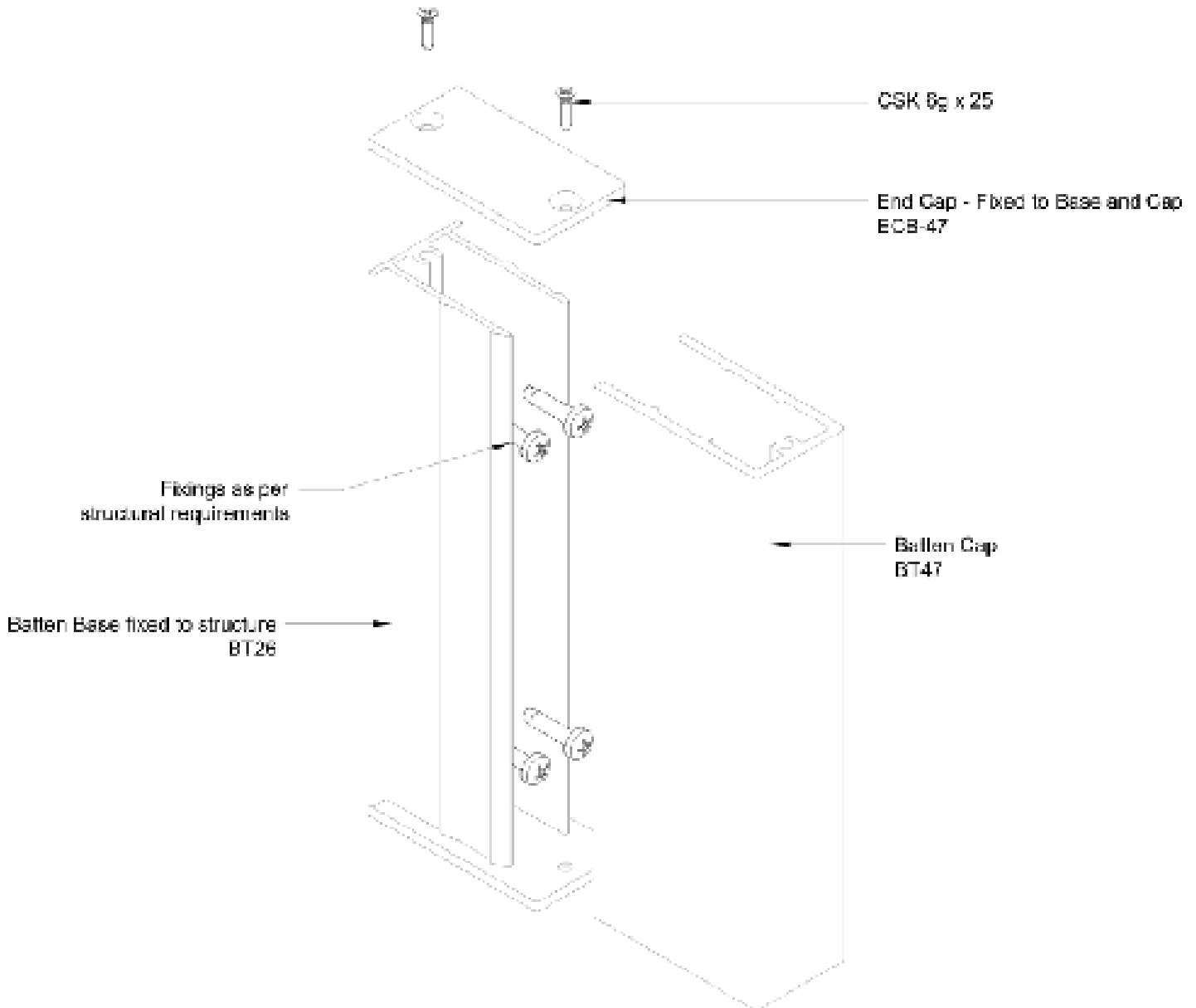
200mm End Cap
ECB-200
Pack Size: 1



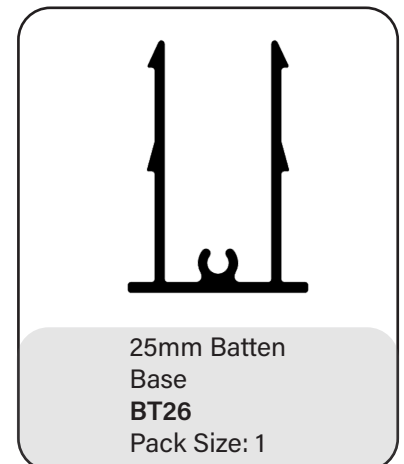
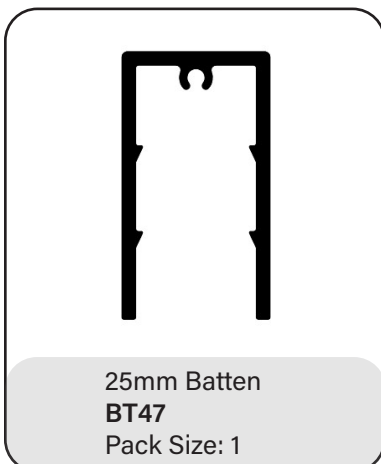
300mm End Cap
ECB-300
Pack Size: 1



Slim Line batten

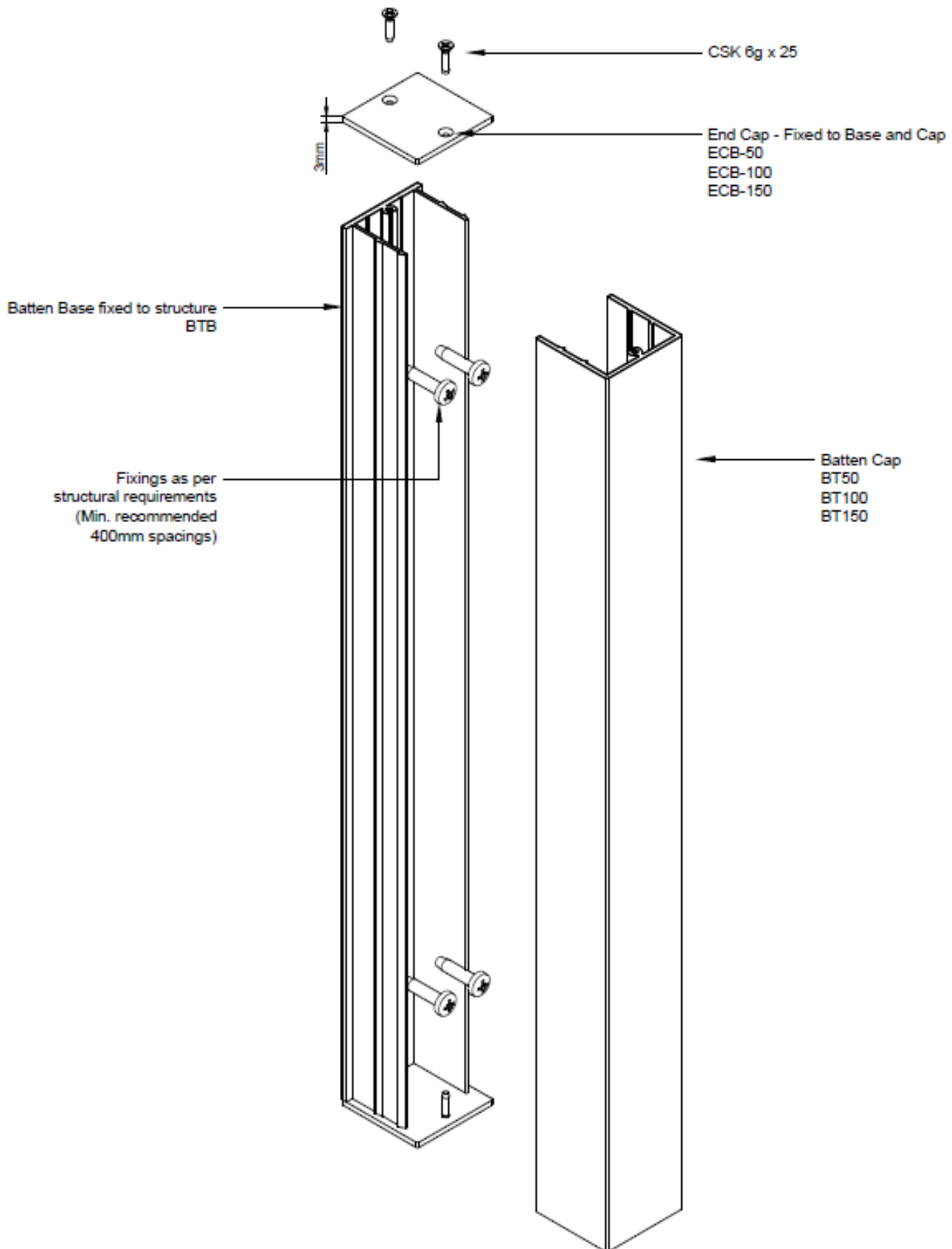


The 25mm Batten System includes the following three profiles.

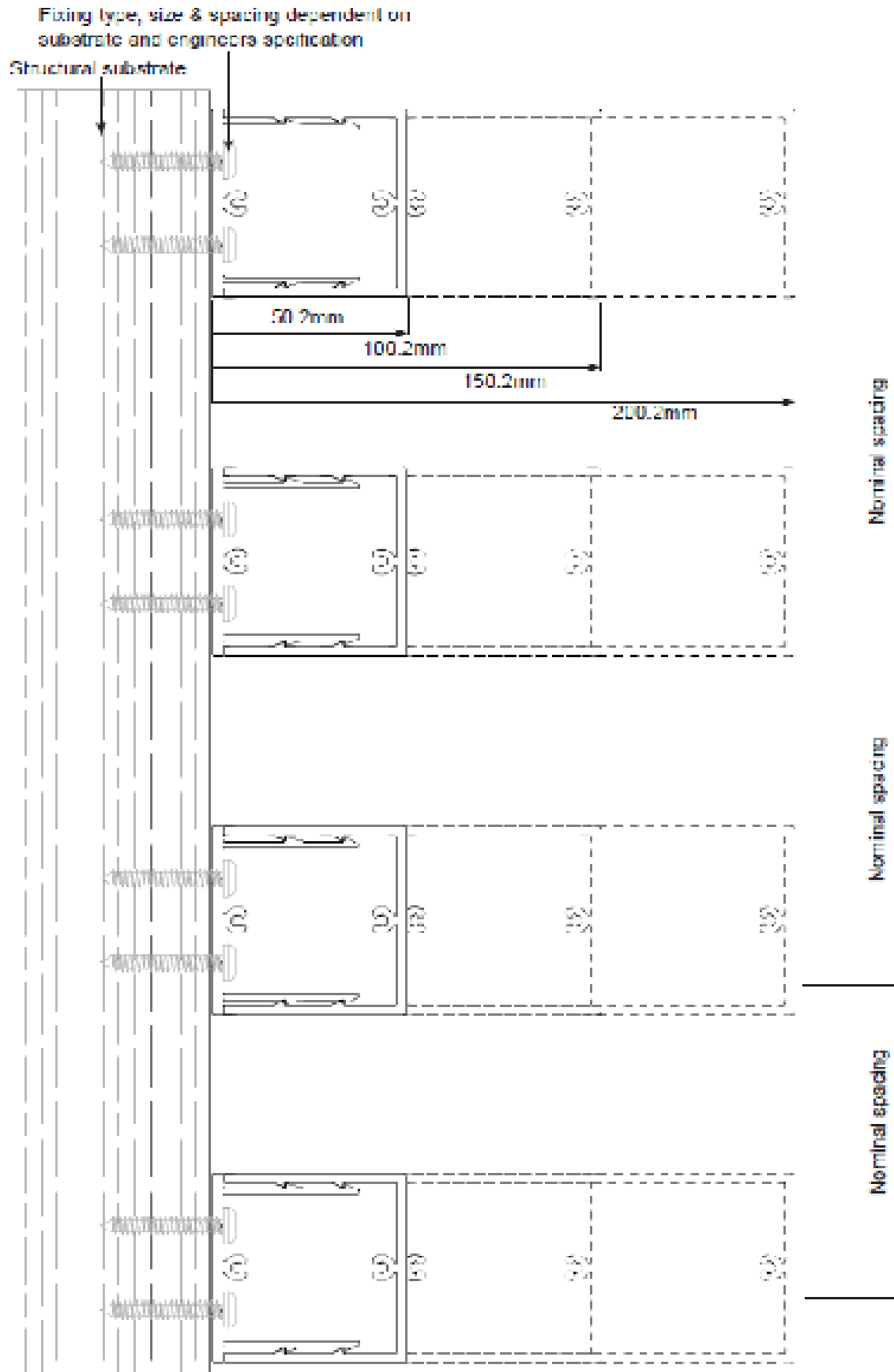


Assembly

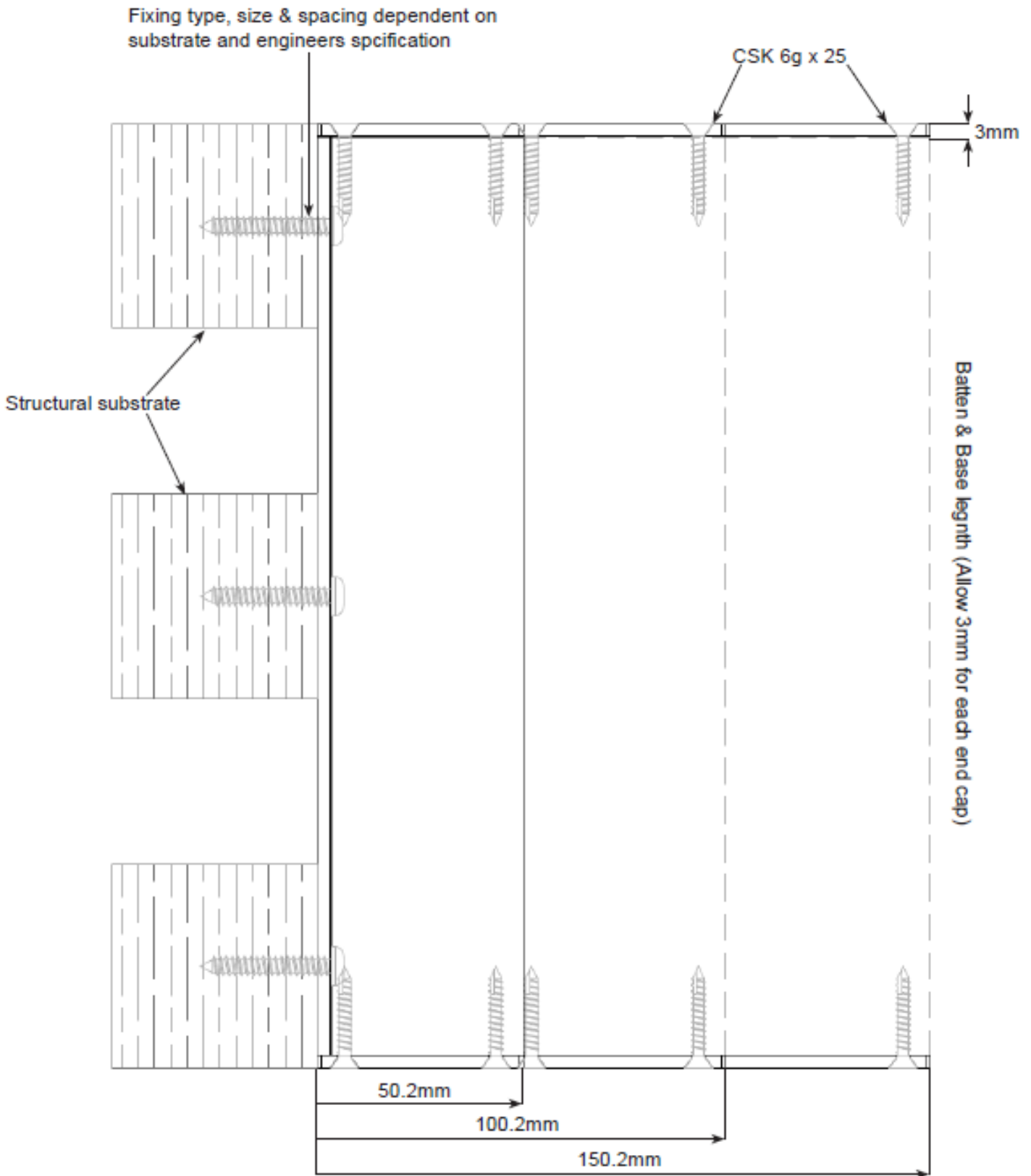
Shown using the 50mm x 50mm Batten System.



Technical Details: Size and spacing



Technical Details: Size and spacing





17 Broadfield Rd Broadmeadows VIC 3047

03 9357 2888

www.conceptaluminium.com.au

