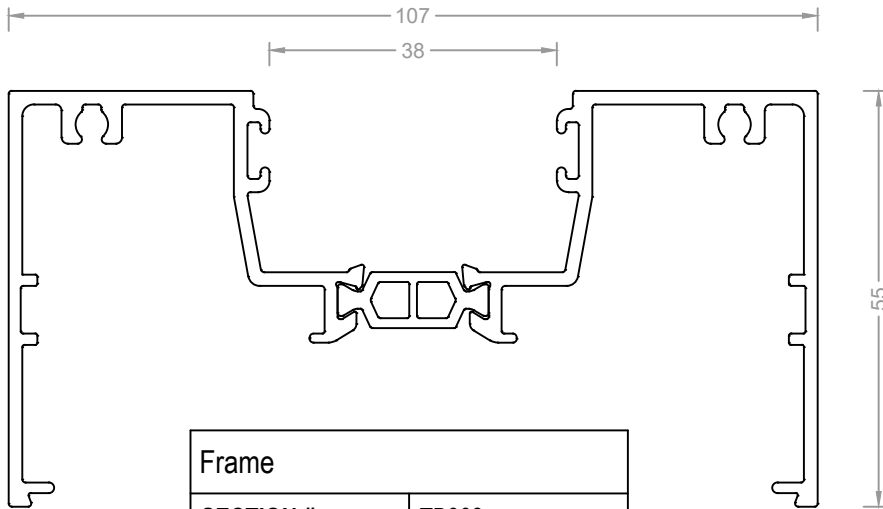




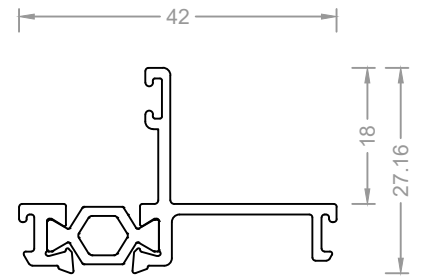
1:1 SCALE

ThermaCOMM PROFILE CATALOGUE

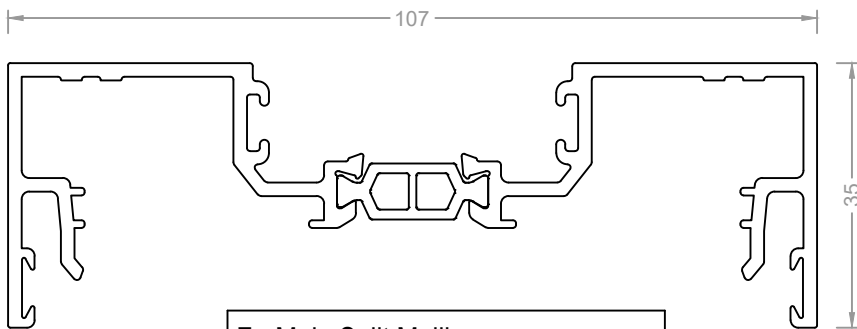
# 10755 - Center Glazed



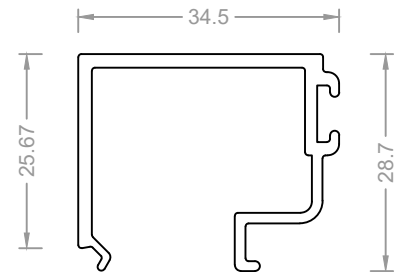
<b>Frame</b>	
<b>SECTION #</b>	TB003
<b>LENGTH</b>	6.5m / 3.25m



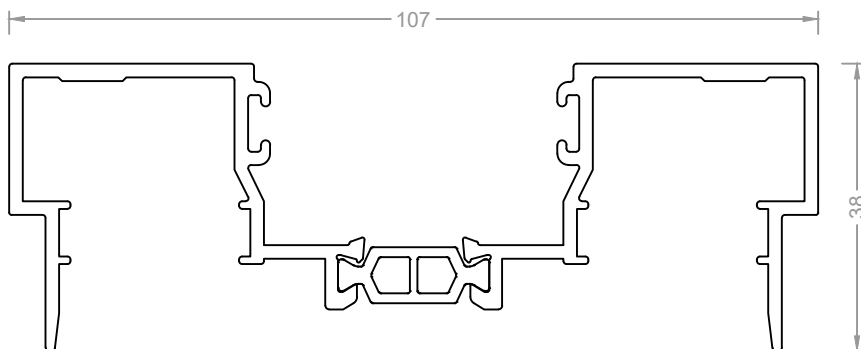
<b>Jamb Adapter</b>	
<b>SECTION #</b>	TB007
<b>LENGTH</b>	6.5m



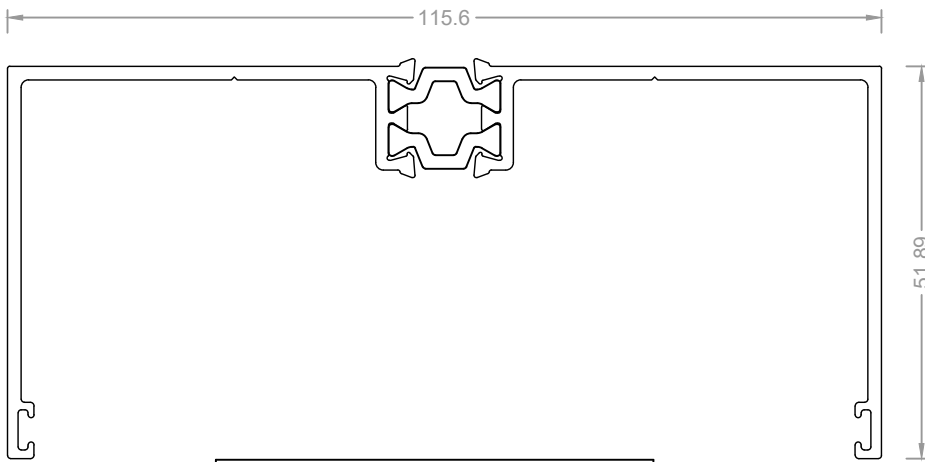
<b>Fe-Male Split Mullion</b>	
<b>SECTION #</b>	TB013
<b>LENGTH</b>	3.25m



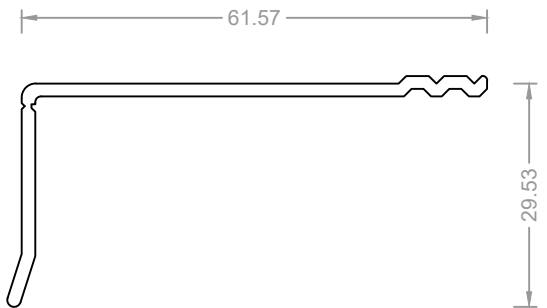
<b>Glazing Bead</b>	
<b>SECTION #</b>	TB021
<b>LENGTH</b>	6.5m



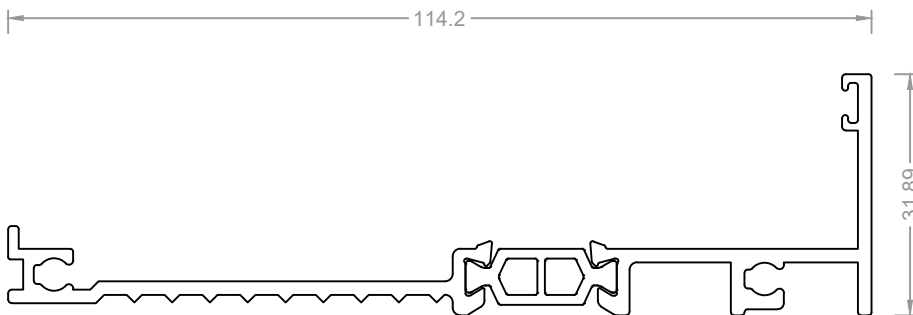
<b>Male Split Mullion</b>	
<b>SECTION #</b>	TB012
<b>LENGTH</b>	3.25m



Sub Head	
SECTION #	TB008
LENGTH	6.5m



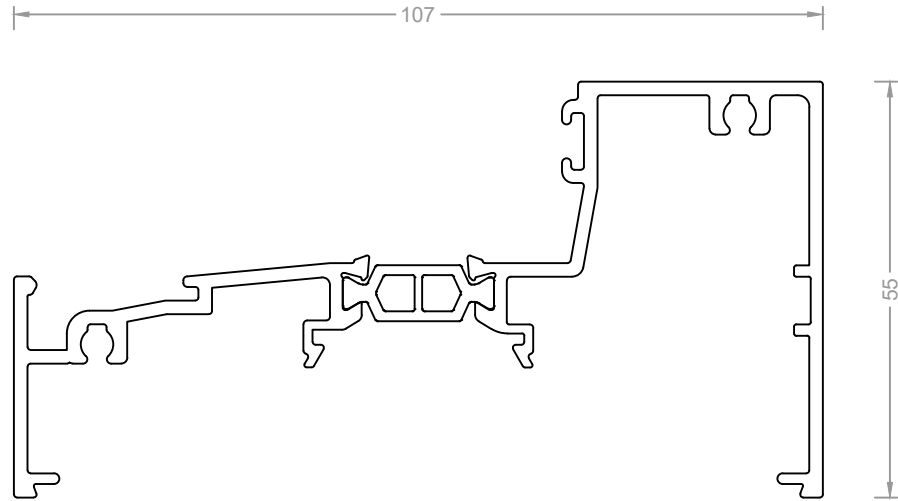
Tray Extension	
SECTION #	TB024
LENGTH	6.5m



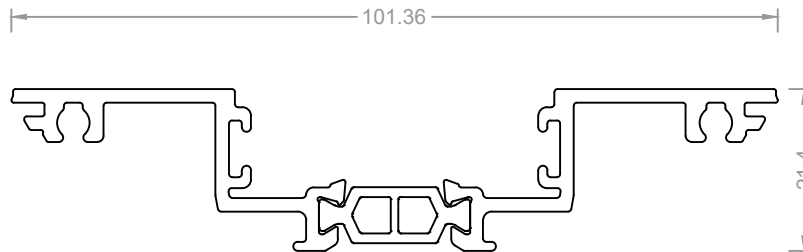
Sill Tray	
SECTION #	TB010
LENGTH	6.5m

**IMPORTANT NOTICE**

THIS DRAWING AND THE DESIGN SHOWN IS THE INTELLECTUAL PROPERTY OF CONCEPT ARCHITECTURAL SYSTEMS AND IS PROTECTED BY COPYRIGHT. THIS DRAWING MAY NOT BE COPIED OR DISTRIBUTED WITHOUT THE WRITTEN CONSENT OF CONCEPT ARCHITECTURAL SYSTEMS ©



Beaded Sill	
SECTION #	TB001
LENGTH	6.5m / 3.25m

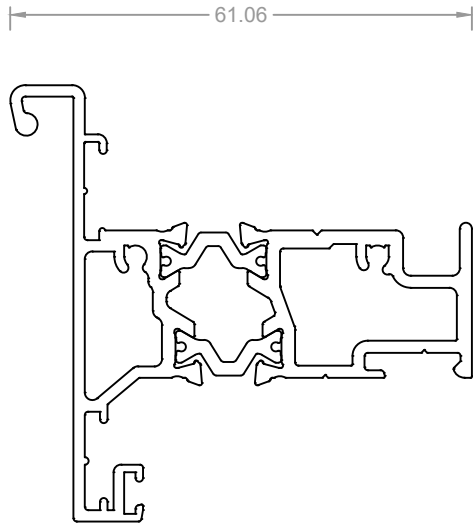


Frame Adaptor	
SECTION #	TB004
LENGTH	6.5m / 3.25m

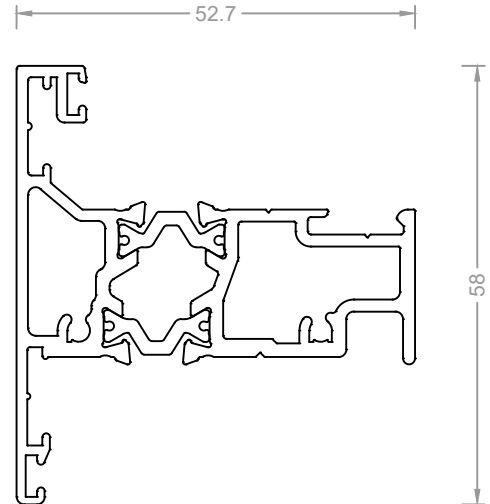
**IMPORTANT NOTICE**

THIS DRAWING AND THE DESIGN SHOWN IS THE INTELLECTUAL PROPERTY OF  
CONCEPT ARCHITECTURAL SYSTEMS AND IS PROTECTED BY COPYRIGHT. THIS DRAWING MAY NOT BE  
COPIED OR DISTRIBUTED WITHOUT THE WRITTEN CONSENT OF CONCEPT ARCHITECTURAL SYSTEMS ©

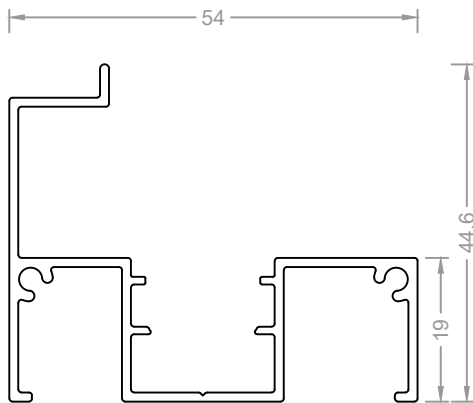
# ThermaCOMM Awning



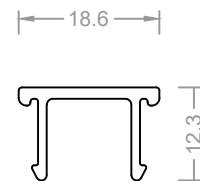
Beaded Hook Sash	
<b>SECTION #</b>	TB041
<b>LENGTH</b>	5.8m



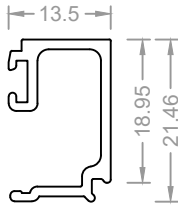
Beaded Sash	
<b>SECTION #</b>	TB040
<b>LENGTH</b>	5.8m



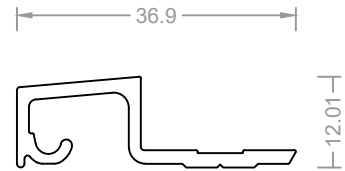
Chain Winder Adapter	
<b>SECTION #</b>	F92
<b>LENGTH</b>	5.8m



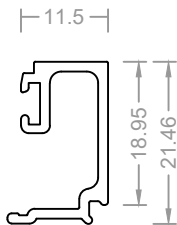
Pocket Filler	
<b>SECTION #</b>	CA305
<b>LENGTH</b>	6.5m



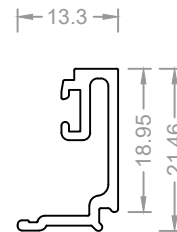
Glazing Bead	
<b>SECTION #</b>	TB037
<b>LENGTH</b>	5m



Hook Hinge Adaptor	
<b>SECTION #</b>	TB018
<b>LENGTH</b>	6.5m

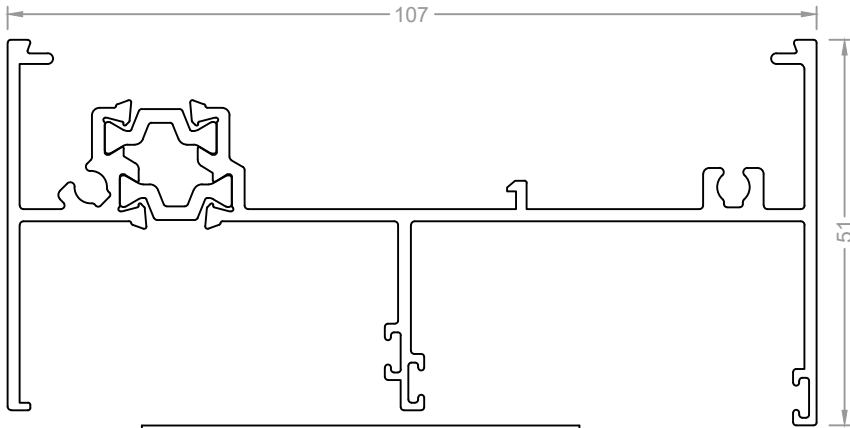


Glazing Bead	
<b>SECTION #</b>	TB038
<b>LENGTH</b>	5m

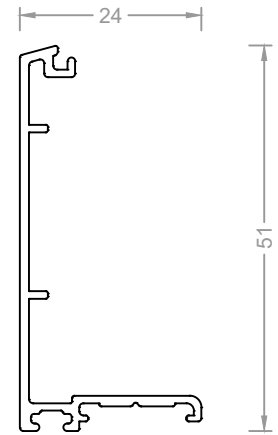


Glazing Bead	
<b>SECTION #</b>	TB039
<b>LENGTH</b>	5m

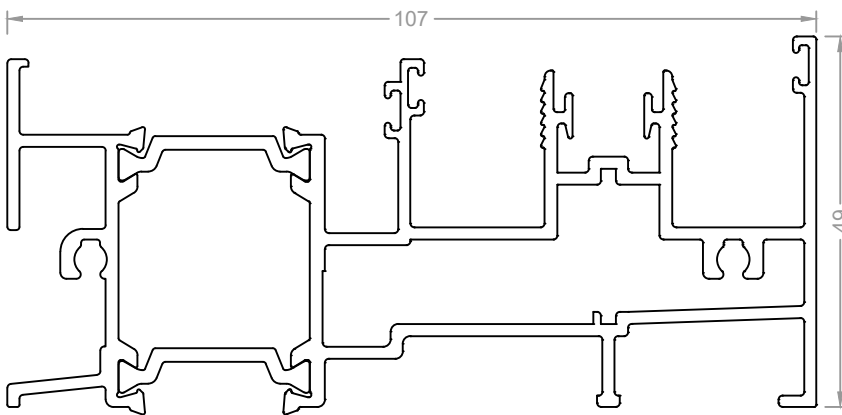
# ThermaCOMM Sliding Door



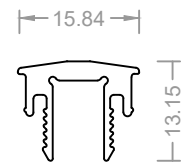
2 Track Head	
SECTION #	TB002
LENGTH	6.5m



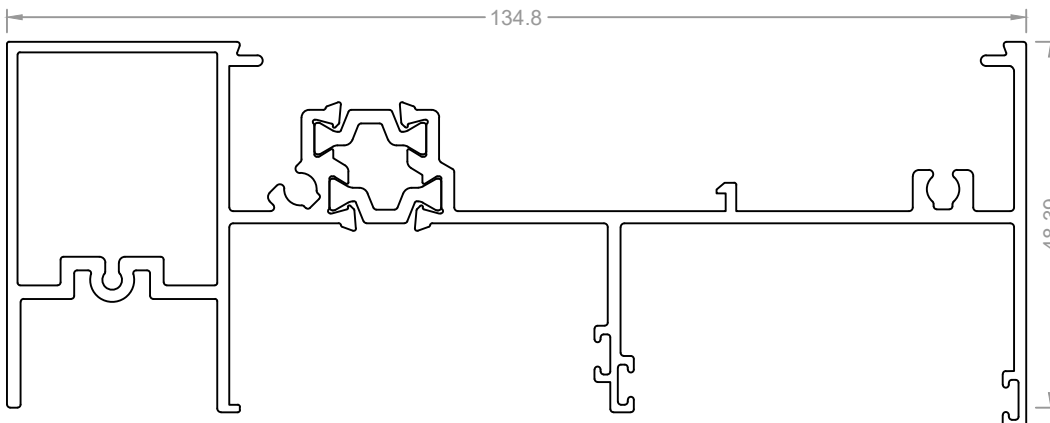
Cover / Infill Bead	
SECTION #	TB022
LENGTH	6.5m



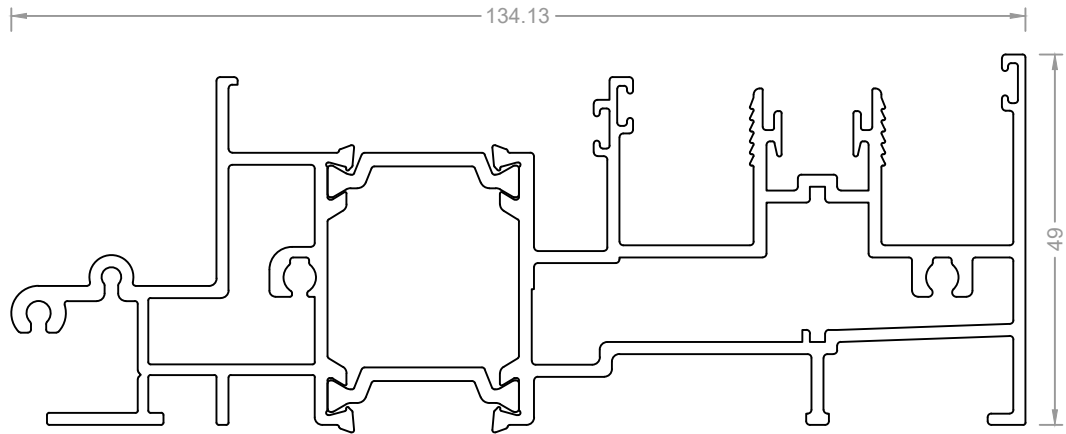
2 Track Sill	
SECTION #	TB005
LENGTH	6.5m



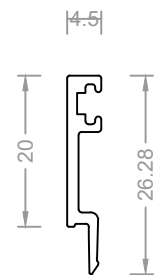
Track Infill Cover	
SECTION #	TB019
LENGTH	6.5m



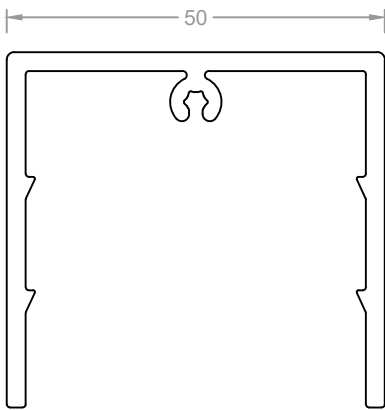
BIF Head	
SECTION #	TB034
LENGTH	6.5m



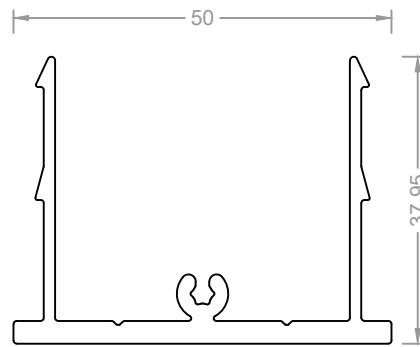
<b>BIF Sill</b>	
<b>SECTION #</b>	TB035
<b>LENGTH</b>	6.5m



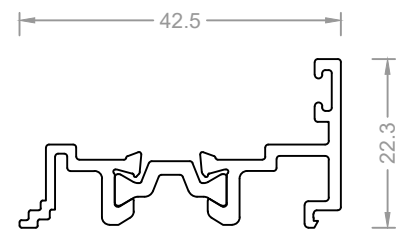
<b>Drop-in Glazing Bead</b>	
<b>SECTION #</b>	TB020
<b>LENGTH</b>	6.5m



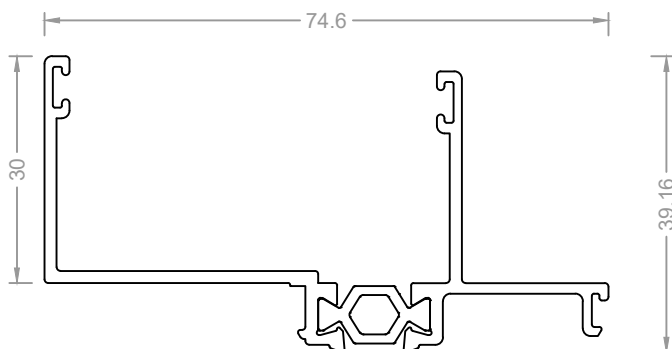
<b>50mm Batten</b>	
<b>SECTION #</b>	BT50
<b>LENGTH</b>	6.5m



<b>Batten Base</b>	
<b>SECTION #</b>	BTB
<b>LENGTH</b>	6.5m

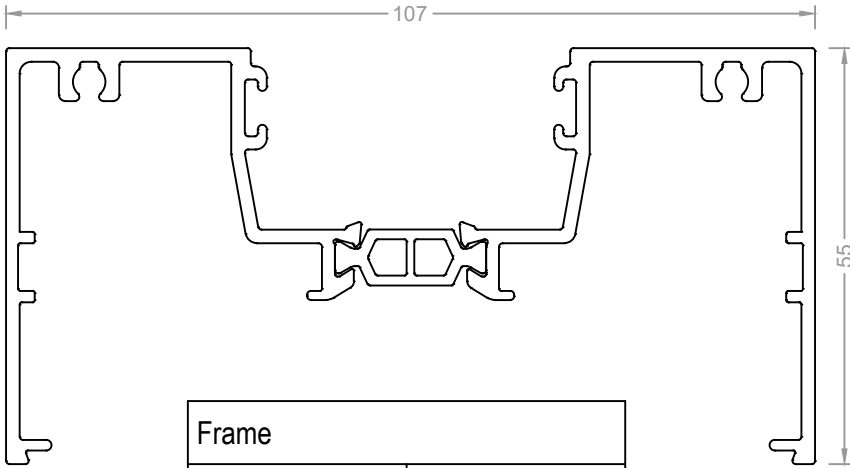


<b>Meeting Stile Adaptor</b>	
<b>SECTION #</b>	TB016
<b>LENGTH</b>	3.25m

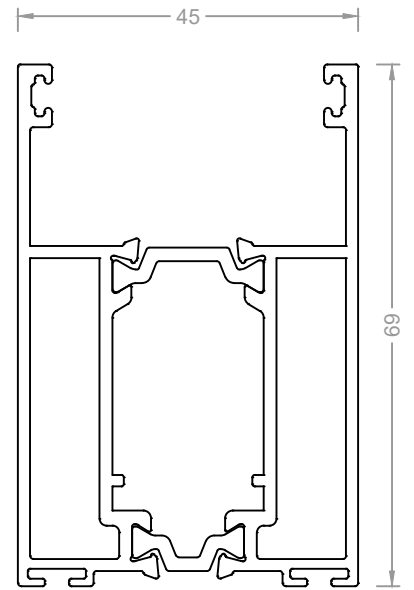


<b>Door Jamb Adaptor</b>	
<b>SECTION #</b>	TB014
<b>LENGTH</b>	3.25m

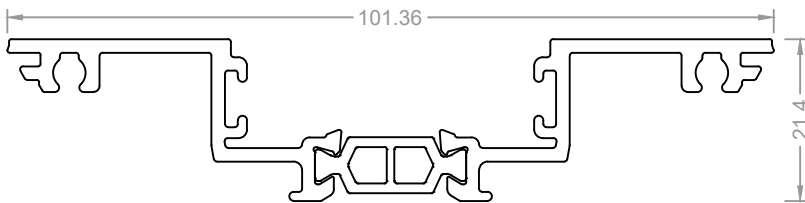




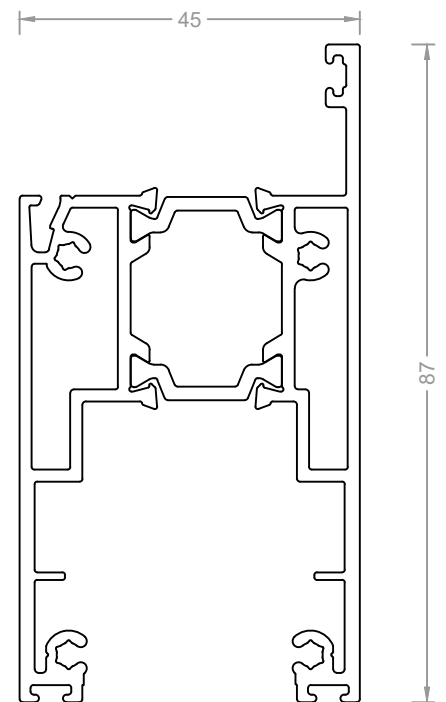
Frame	
SECTION #	TB003
LENGTH	6.5m / 3.25m



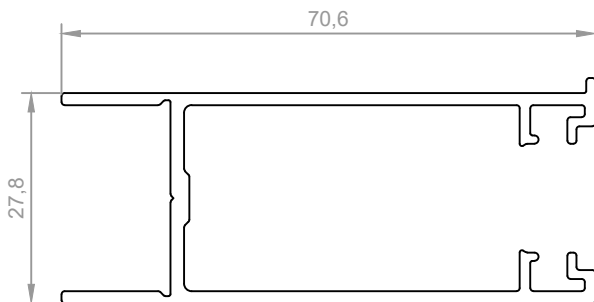
Stile	
SECTION #	TB011
LENGTH	3.25m



Frame Adaptor	
SECTION #	TB004
LENGTH	6.5m / 3.25m



Beaded Rail	
SECTION #	TB006
LENGTH	3.25m

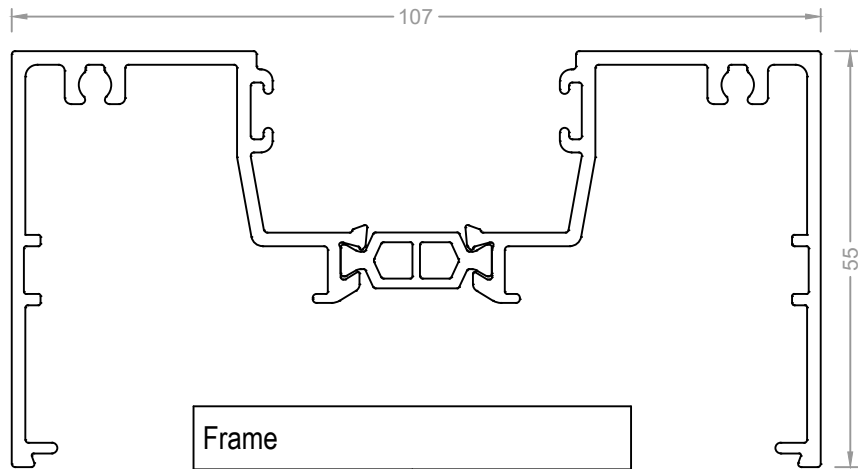


70MM FLYDOOR JAMB	
SECTION #	TB026
LENGTH	6.5m

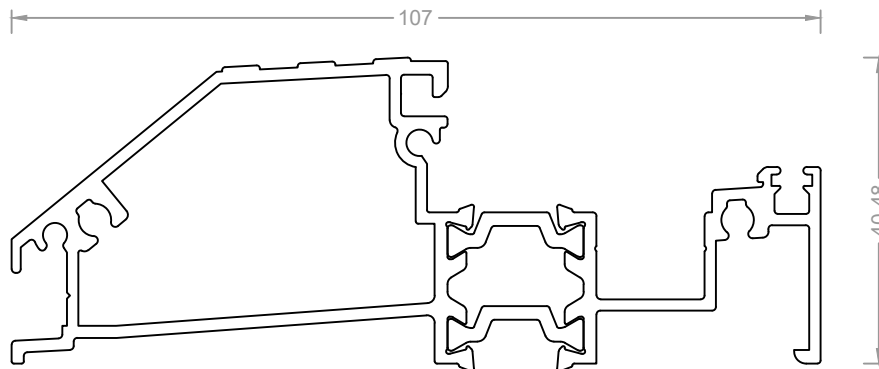
**IMPORTANT NOTICE**

THIS DRAWING AND THE DESIGN SHOWN IS THE INTELLECTUAL PROPERTY OF CONCEPT ARCHITECTURAL SYSTEMS AND IS PROTECTED BY COPYRIGHT. THIS DRAWING MAY NOT BE COPIED OR DISTRIBUTED WITHOUT THE WRITTEN CONSENT OF CONCEPT ARCHITECTURAL SYSTEMS ©

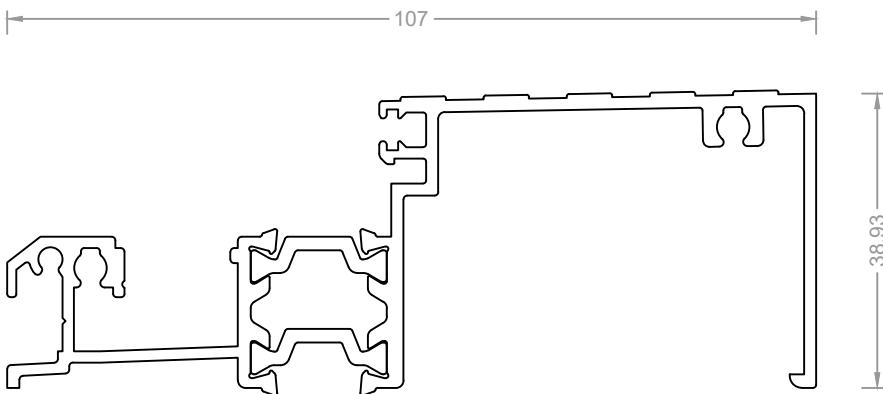
**ThermaCOMM Hinge Door**



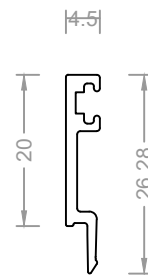
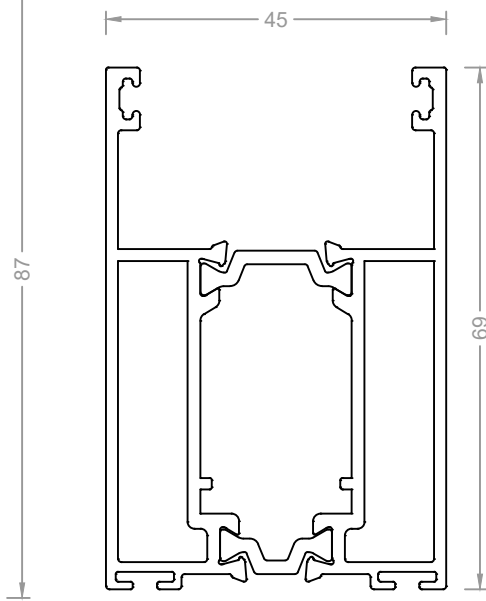
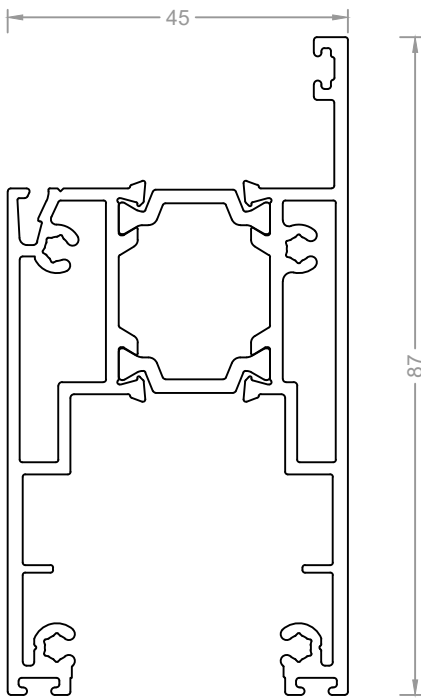
Frame	
<b>SECTION #</b>	TB003
<b>LENGTH</b>	6.5m / 3.25m



Open In Sill	
<b>SECTION #</b>	TB009
<b>LENGTH</b>	3.25m



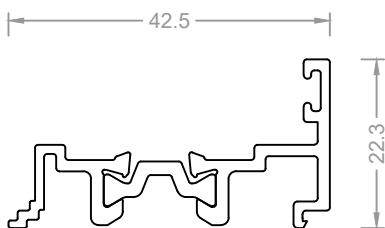
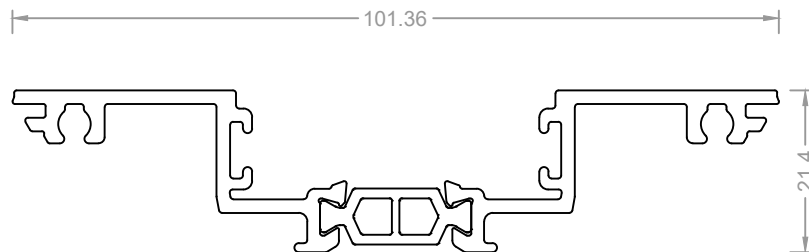
Open Out Sill	
<b>SECTION #</b>	TB023
<b>LENGTH</b>	3.25m



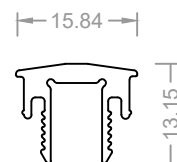
<b>Beaded Rail</b>	
<b>SECTION #</b>	TB006
<b>LENGTH</b>	3.25m

<b>Stile</b>	
<b>SECTION #</b>	TB011
<b>LENGTH</b>	3.25m

<b>Drop-in Glazing Bead</b>	
<b>SECTION #</b>	TB020
<b>LENGTH</b>	6.5m



<b>Frame Adaptor</b>	
<b>SECTION #</b>	TB004
<b>LENGTH</b>	6.5m / 3.25m



<b>Meeting Stile Adaptor</b>	
<b>SECTION #</b>	TB016
<b>LENGTH</b>	3.25m

<b>Track Infill Cover</b>	
<b>SECTION #</b>	TB019
<b>LENGTH</b>	6.5m