

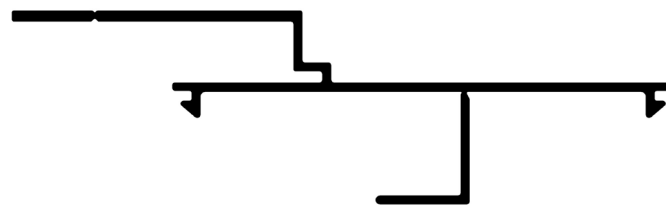
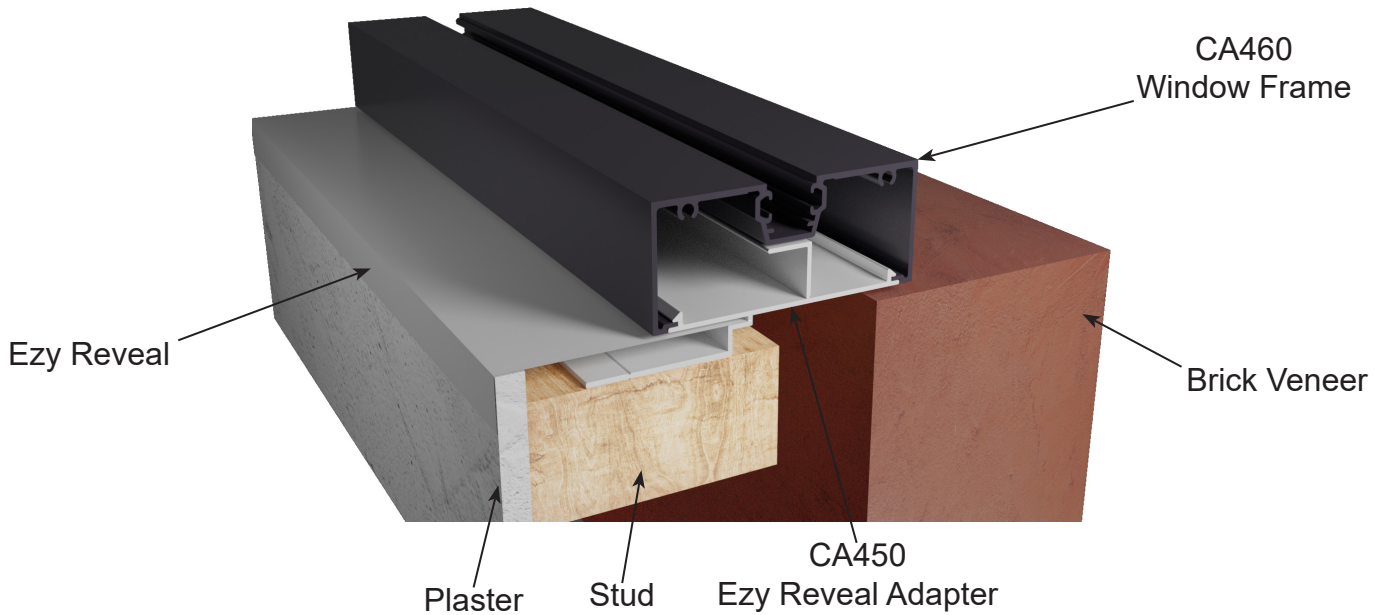
A.B.N. 97 007 214 897    Ph : 03 9357 2888    Fax : 03 9357 4355  
22-26 Onslow Avenue    P.O.Box 86    CAMPBELLFIELD    VIC    3061

## CA450 EZY REVEAL ADAPTER



CONCEPT ARCHITECTURAL SYSTEMS IS PROUD  
TO ANNOUNCE THE BRAND NEW **CA450 EZY**  
**REVEAL ADAPTER.**

The CA450 Ezy Reveal Adapter is a specialised reveal adapter designed to couple with the popular Ezy Reveal system. This allows windows to be easily installed without standard timber reveals and provided a flush, square set finish.

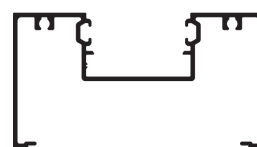


CA450  
Ezy Reveal Adapter  
6500mm

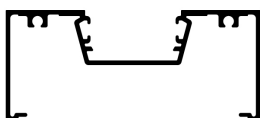
The CA450 Ezy Reveal Adapter is compatible with the 10044-SG, 10044-DG, 10055-DG and 15044-SG Centre Glazed Systems.



CA460 Frame  
10044-SG



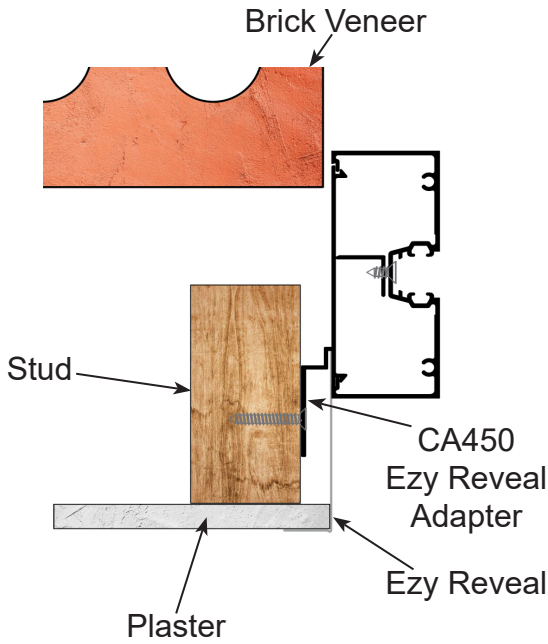
DF400 Frame  
10055-DG



CA500 Frame  
10044-DG

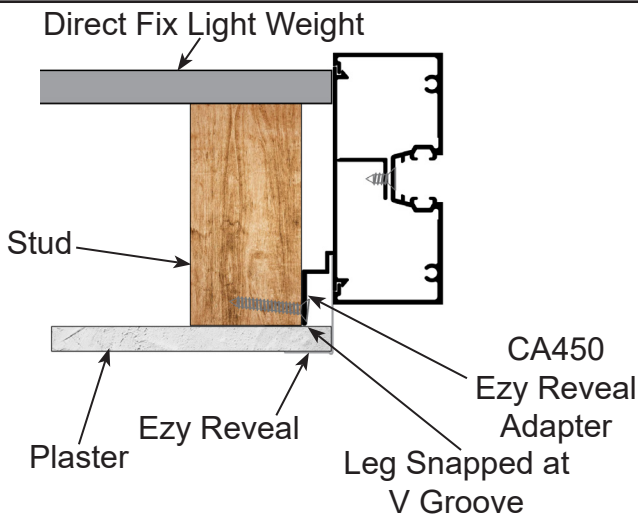


CA600 Frame  
15044-SG



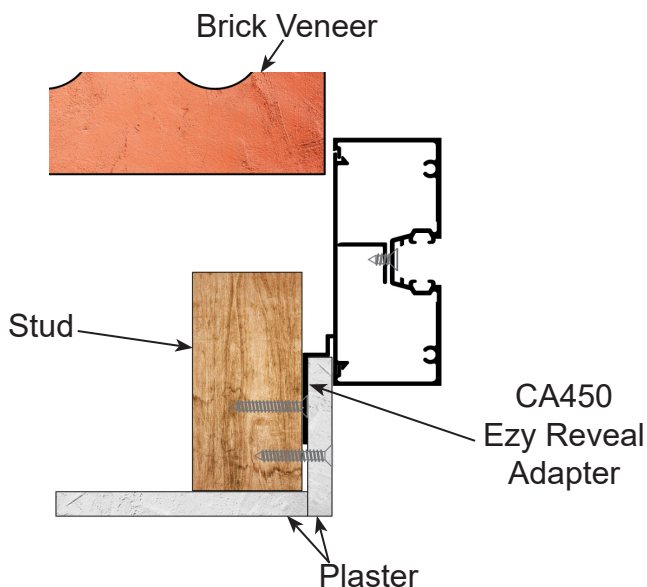
The CA450 Ezy Reveal Adapter is designed to work with the Ezy Reveal system. The CA450 is attached to the stud (packing may be required) and the Ezy Reveal slots inside it.

## Direct Fix Installation



In a situation where the window needs to be directly fixed to a light weight external veneer, the CA450 Ezy Reveal Adapter can be shortened by snapping the leg.

## Square Set Plaster Installation



The CA450 Ezy Reveal Adapter can also be used without an Ezy Reveal. Plaster can be fitted between the stud and the window frame to give a true square set finish.

22-26 Onslow Avenue  
Campbellfield VIC 3061  
03 9357 2888  
[www.conceptaluminium.com.au](http://www.conceptaluminium.com.au)

