

Apartment Door End Cap ECD124



— Suitable for Apartment Doors



PRODUCT FEATURES

With its Rounded contemporary design, the 'ECD124' caps the stiles of the Alucomm Apartment doors for a modern finished look, while also protecting against bugs and small children's hands entering the open ends.

FINISH

MATERIAL

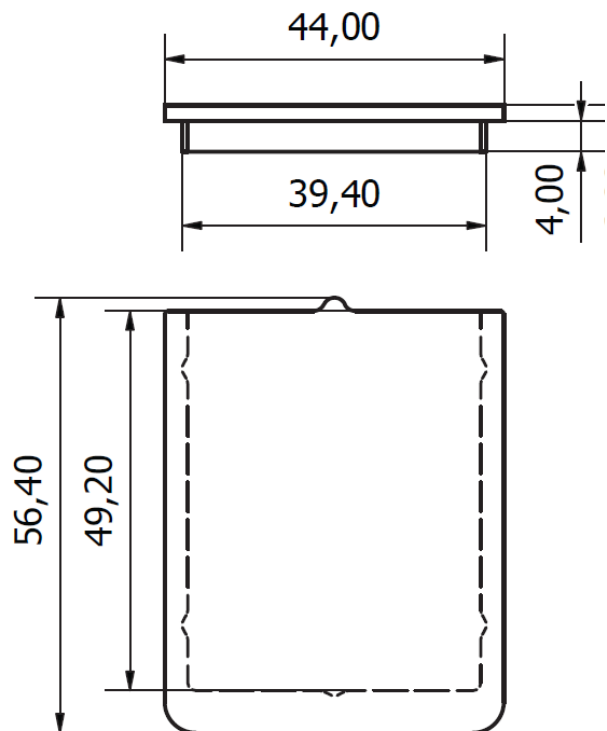
MANUFACTURED

FEATURES

- Powdercoat finish to match existing Alucomm range
- 6mm Aluminium
- CNC cut piece
- Caps off the exposed area of the heavy duty interlocks resulting in a superior finish.
- Blocks insects and protects against children's fingers.

ORDERING CODE

Apartment Door End Cap
ECD'124



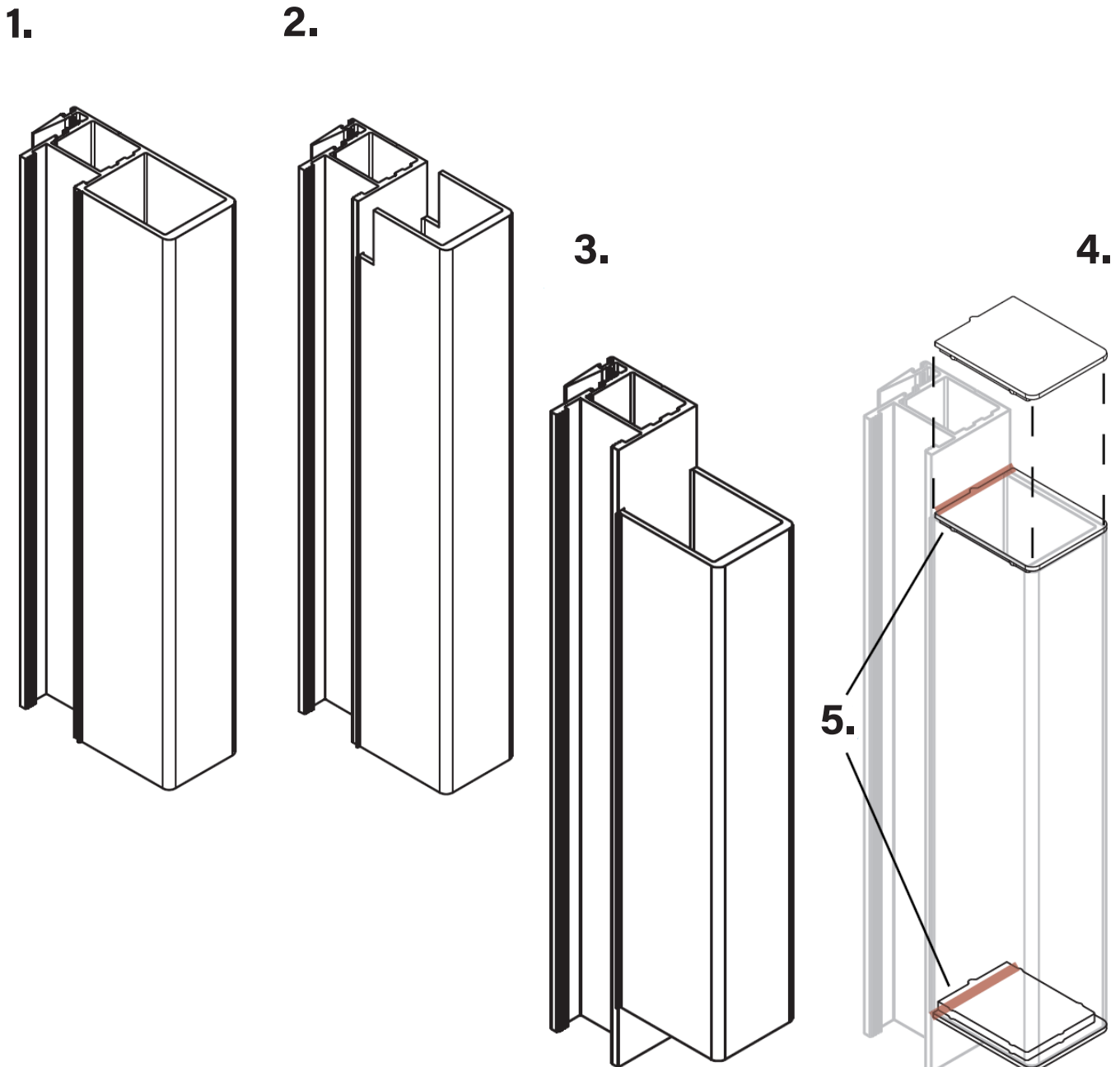
COMPATIBLE SYSTEMS

The End Cap 'ECD124' is suitable for commercial applications. It can be paired with the following systems:

- Titan Apartment Door
- Ultramax Apartment Door
- B.I.F (Built In Flytrack) Apartment Door

INSTALLATION DETAILS

- STEP 1**
- End Cap 'ECD124' is compatible with Interlock stile 'CAD124'
- STEP 2**
- Punch 30mm Slot from both head and sill.
- STEP 3**
- Cut from the punched hole to create flat surface for the End Cap 'ECD124' to be placed into.
- STEP 4**
- Using a soft/rubber faced mallet or tool, hammer the end cap 'ECD124' into place.
- STEP 5**
- Silicon 'ECD124' and 'CAD124' across the exposed gap.





17 Broadfield Rd Broadmeadows VIC 3047

03 9357 2888

www.conceptaluminium.com.au

