

Evolution Sliding Door Mortice Lock **EVOLUTION-KIT**



FEATURES

The **Evolution Lock Suite** is a premium sliding mortice lock perfectly suited to the commercial range of **apartment doors including The Titan, the Built-In Flytrack, the Ultramax Apartment Doors.**

The range is designed for easy use and simple installation. The twin counteracting beaks engage an all-metal catch plate, providing resistance to jemmying and restrain the door against being lifted externally from its rails.

The components can be powdercoated, allowing the entire door to have an exactly matched colour finish.



D Pull Handle
DN350



Flush Pull
DS575

DETAILS

We offer five kit variations:



Part Number

EVOLUTION-KIT#1

Description

Evolution Lock Kit
Black D-Handles



Part Number

EVOLUTION-KIT#2

Description

Evolution Lock Kit
Black Flush Pull handles



Part Number

EVOLUTION-KIT#3

Description

Evolution Lock Kit
Stainless Flush Pull handles



Part Number

EVOLUTION-KIT#4

Description

Evolution Lock Kit
Powdercoated D-Handles



Part Number

EVOLUTION-KIT#5

Description

Evolution Lock Kit
Powdercoated Flush Pull handles

KIT COMPONENTS

There are 2 options for handles - the DN194 D-Pull handles, and the DS575 Flush Pull handles. All handles are supplied in sets of 2. 2 escutcheons are required per lock - inside and outside.

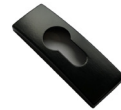
The Recessed Strike Plate (DN1291) and Tab Fitting Kit (DS1299) are required when using male and female meeting stiles, and in corner door combinations.



Part Number

DN1291
Recessed Strike
Plate

Description



Description
Satin Black
Stainless Steel
Powdercoated

Escutcheon (single)
DS1255-SB
DS1255-SS
DS1255-MF



Description
Satin Black
Powdercoated

D-Pull Handle Set (2 handles)
DN350-SB
DN350-MF



Description
Satin Black
Stainless Steel
Powdercoated

Flush Pull Handle Set (2 handles)
DS575-SB
DS575-SS
DS575-MF



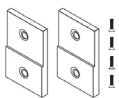
Part Number
Description
Backset

DN1290
Lock Body
30mm



Part Number
Description

DS202
5-pin Cylinder
With Turn Snib



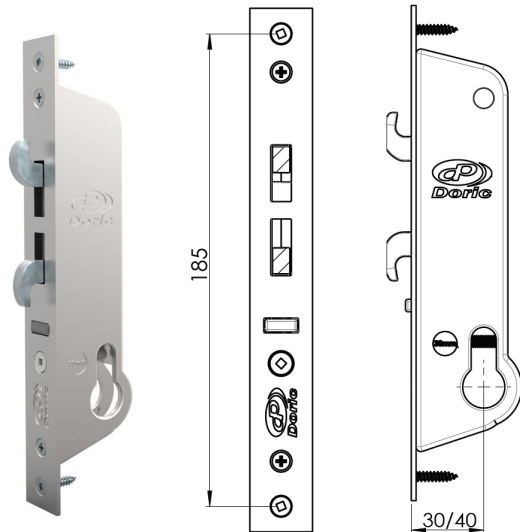
Part Number

DS1299

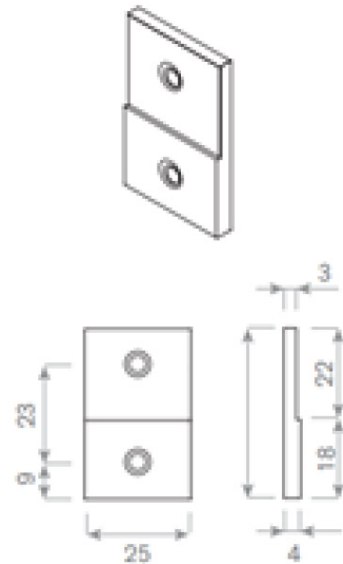
Description

Tab Fitting Kit

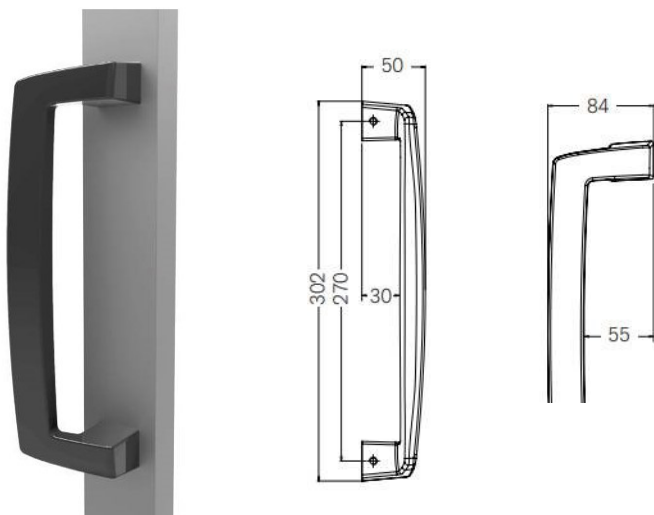
Lock Body
DN1290



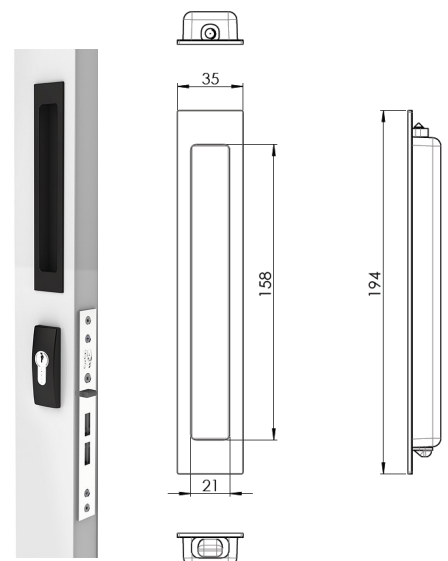
DS1299
Tab Fitting Kit



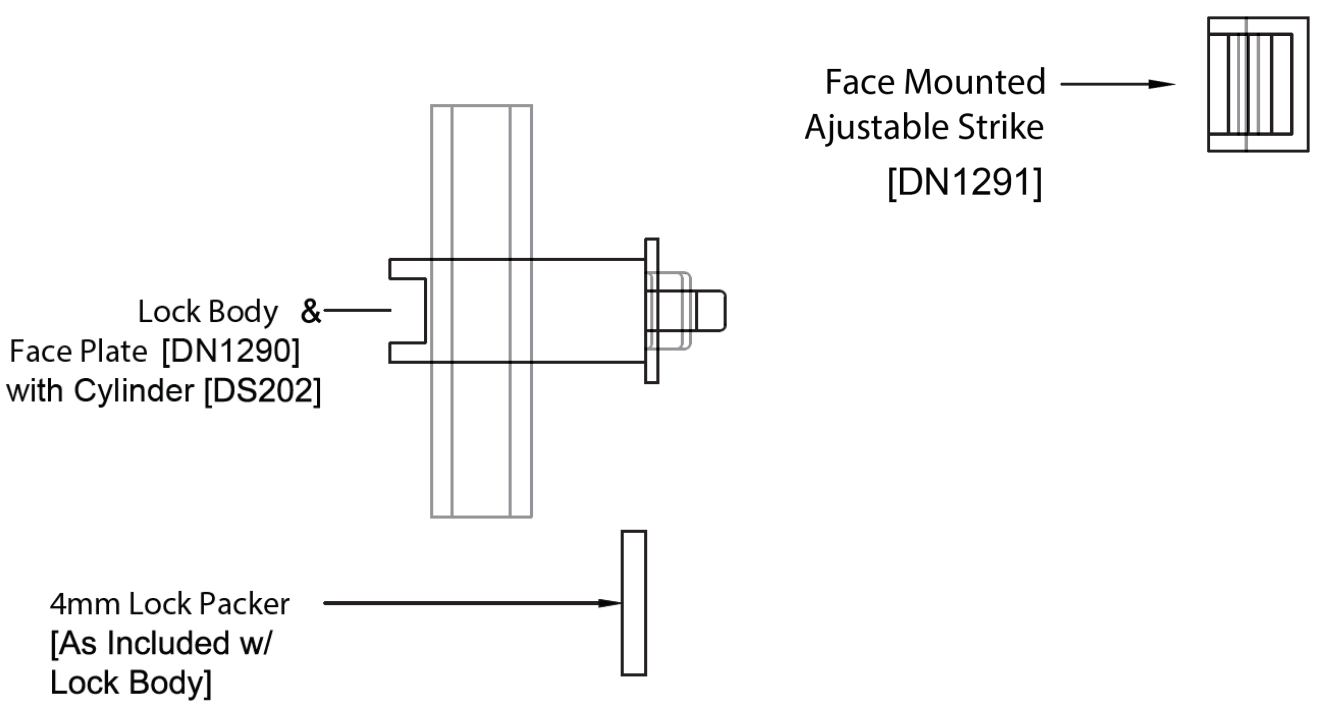
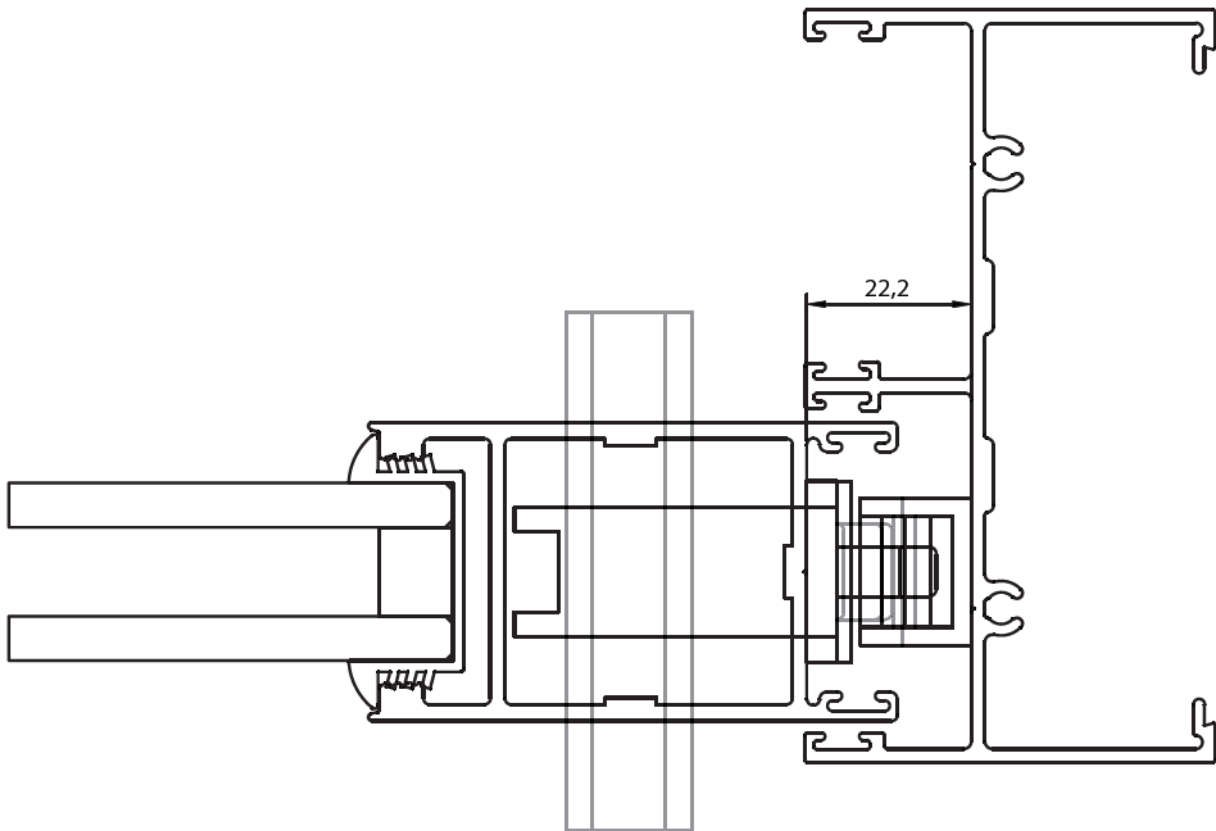
D Pull Handle **DN350**
Available in Satin Black or
Matched Powdercoating and
supplied in a set of 2



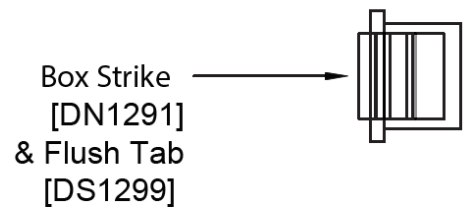
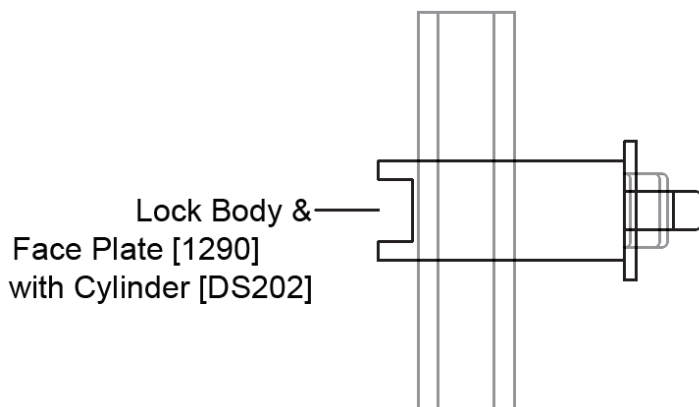
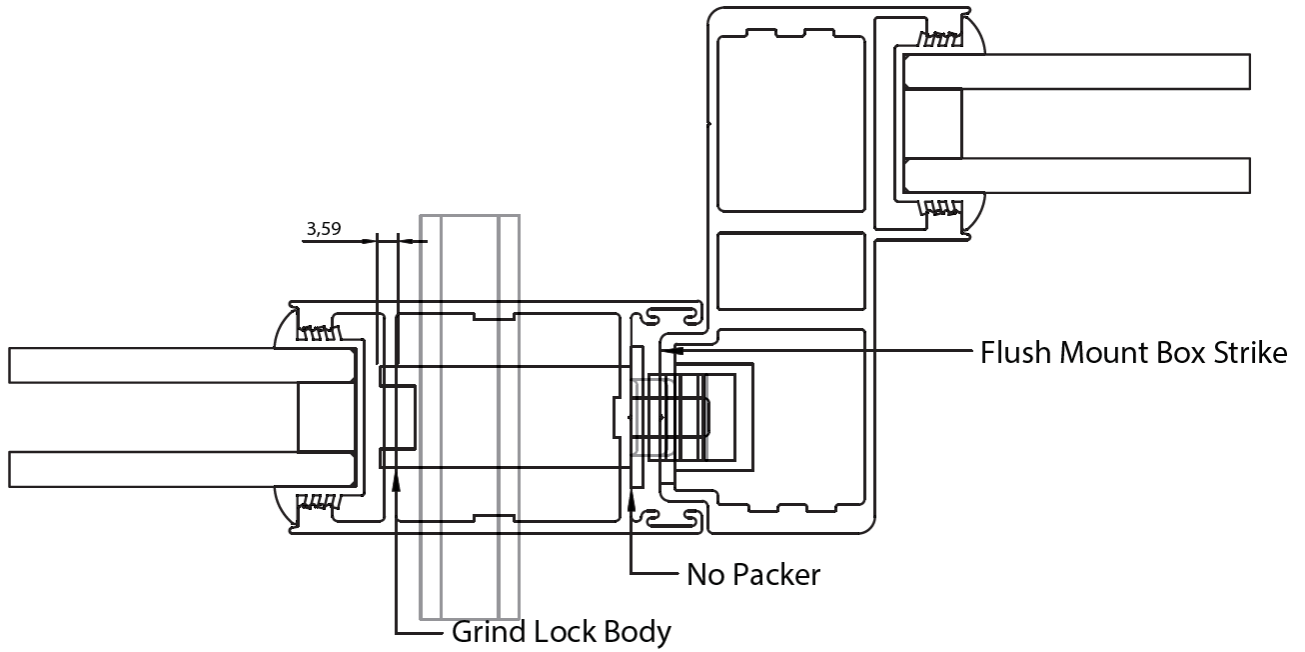
Flush Pull Handle **DS575**
Available in Satin Black, Stainless
Steel or Matched Powdercoating and
supplied in a set of 2



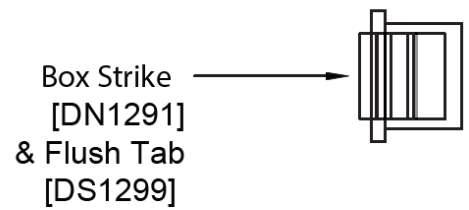
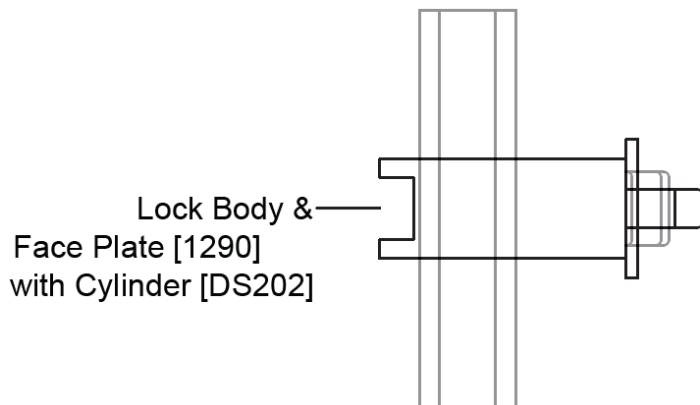
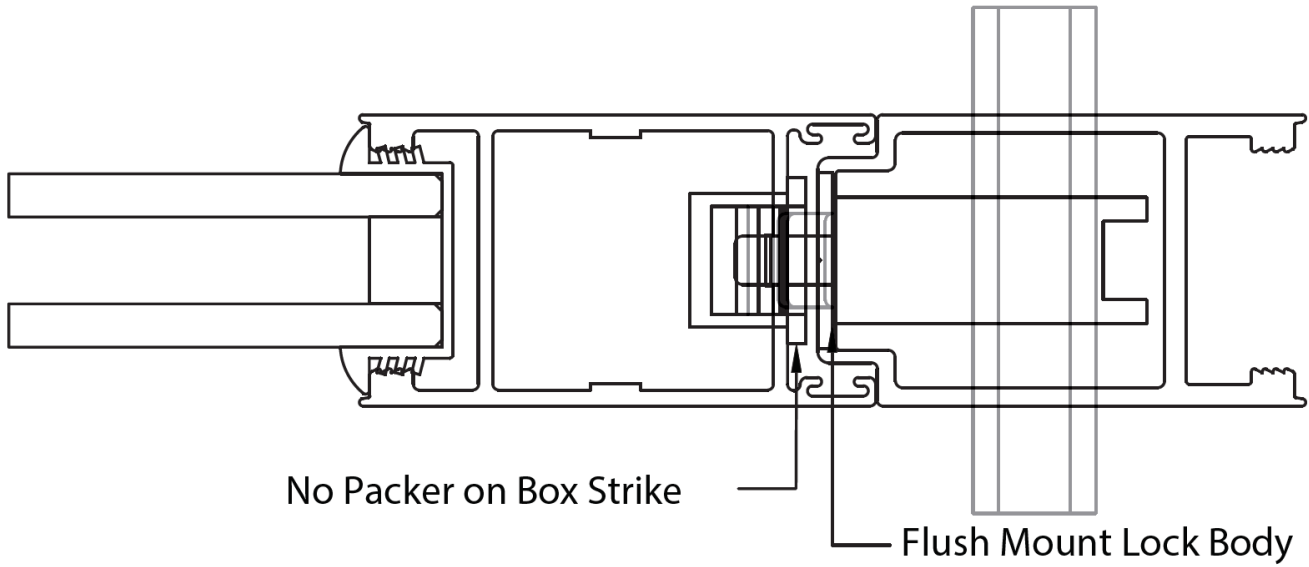
Lock Stile in Jamb CAD157



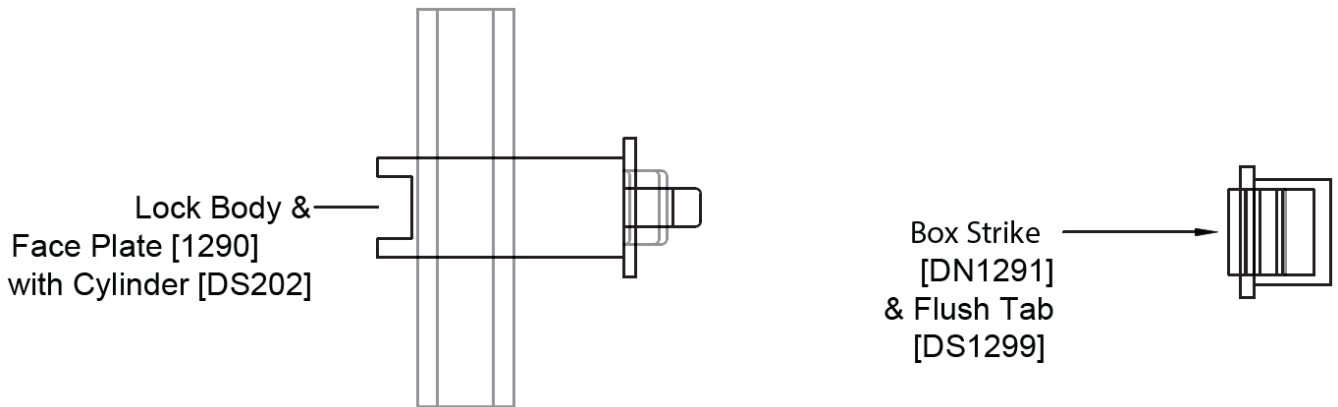
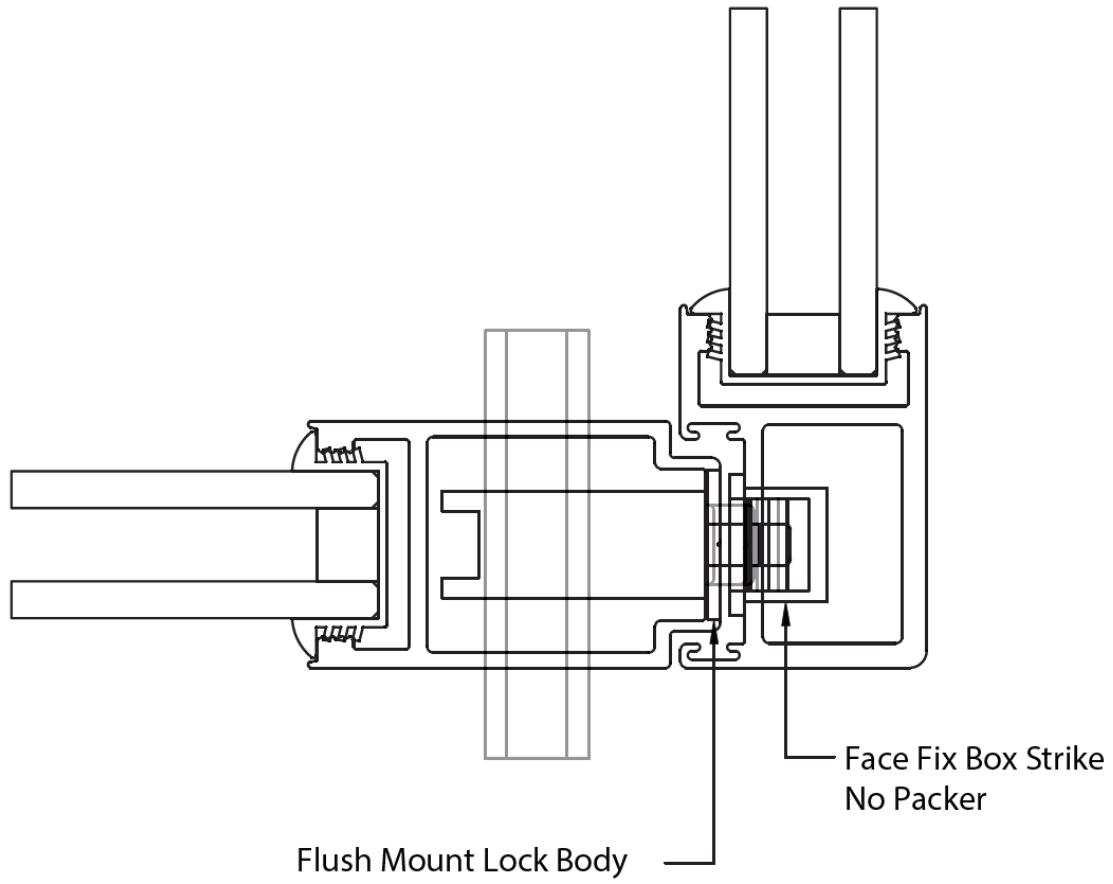
3 Panel Adapter CAD018



Bi Parting Stiles CAD156 & CAD157



Bi Parting Stiles CAD156 & CAD157





17 Broadfield Rd Broadmeadows VIC 3047

03 9357 2888

www.conceptaluminium.com.au

