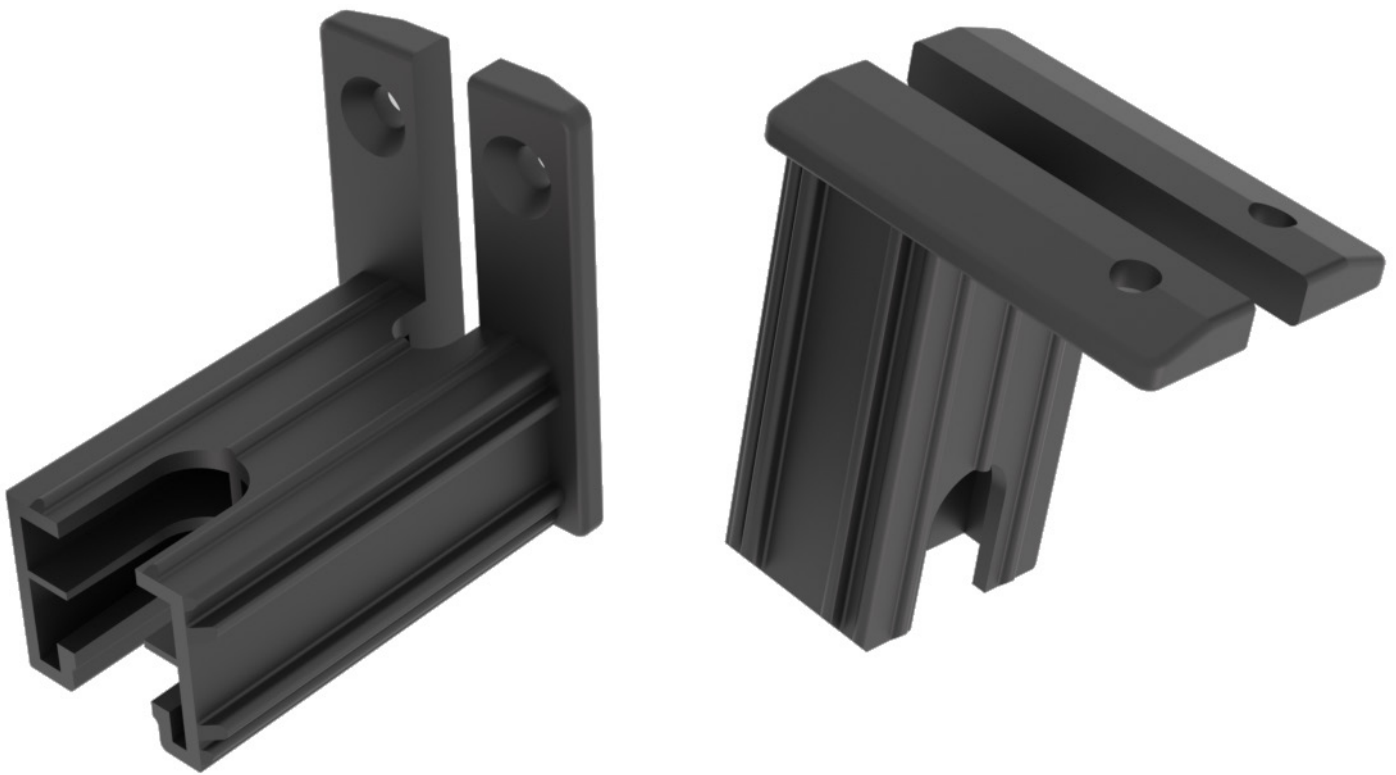


FB6 TOP FIXING BLOCK



The FB6 is a newly designed top fixing block to suit the commercial range of apartment doors:

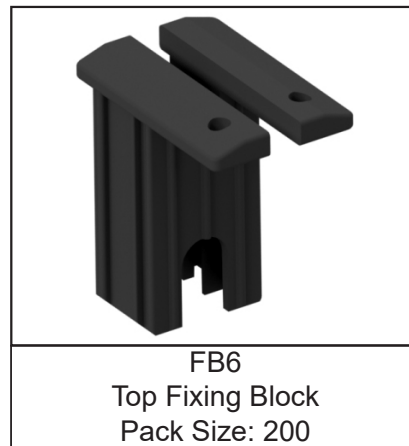
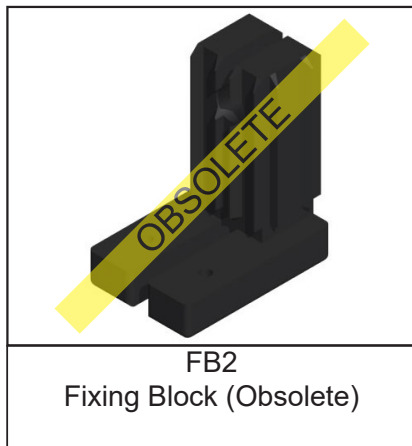
Titan Apartment Door

Built-In Flytrack Apartment Door

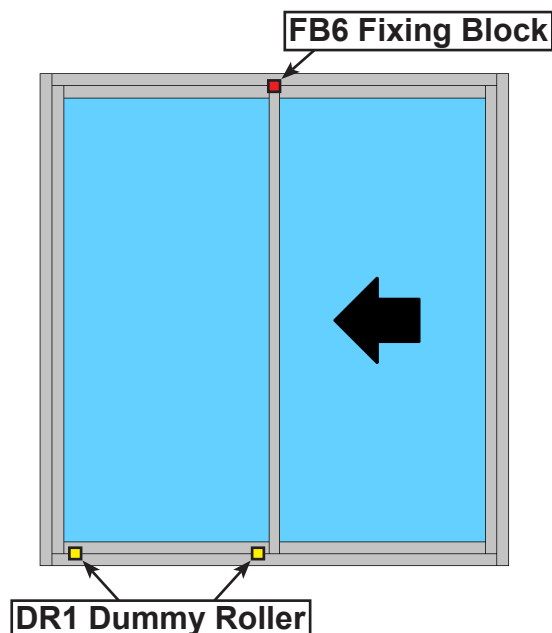
Ultramax Apartment Door

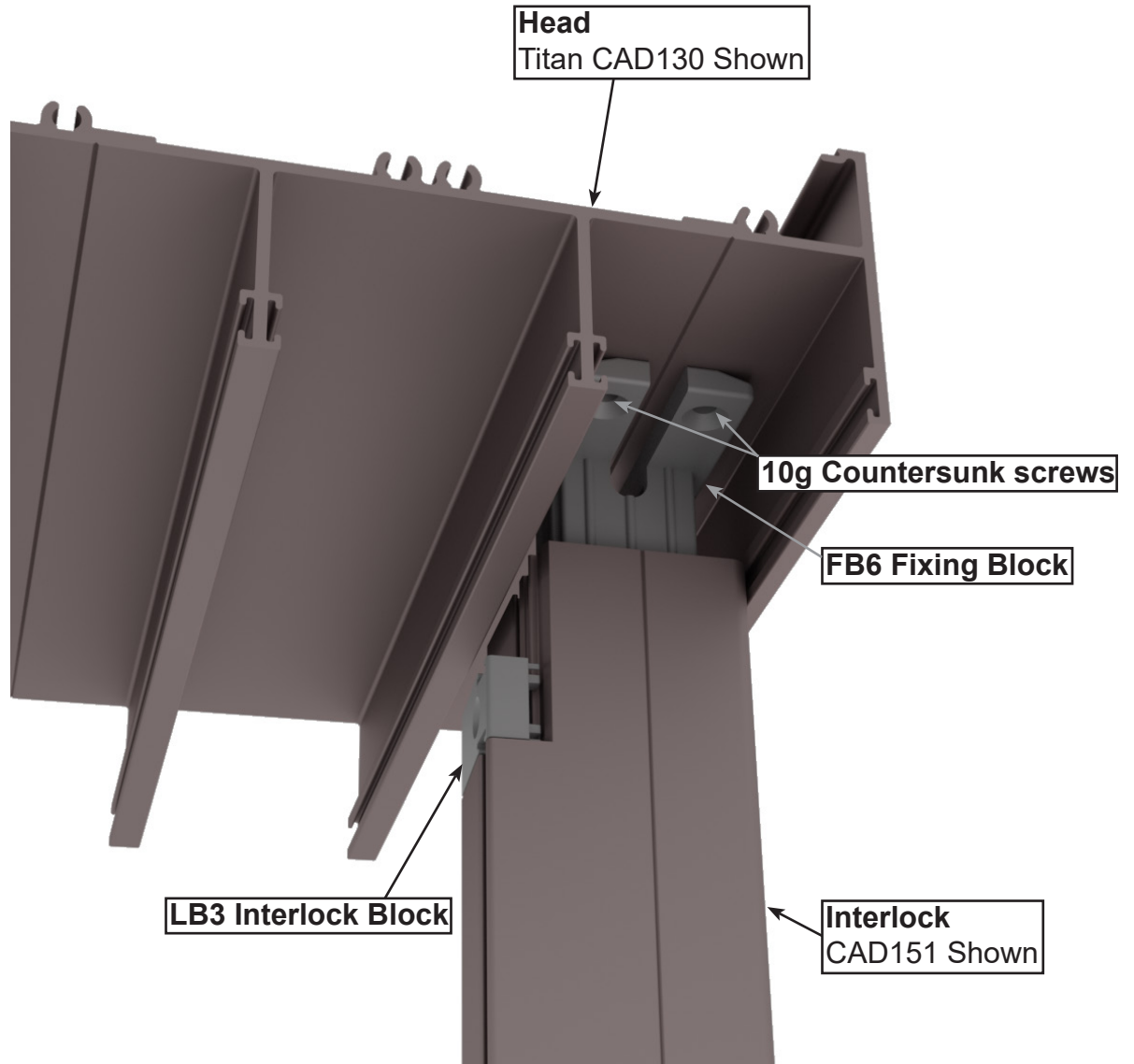
4-Track Apartment Door

It supercedes the old FB2 fixing block which was prone to breaking. The new block is stronger and has a better design.

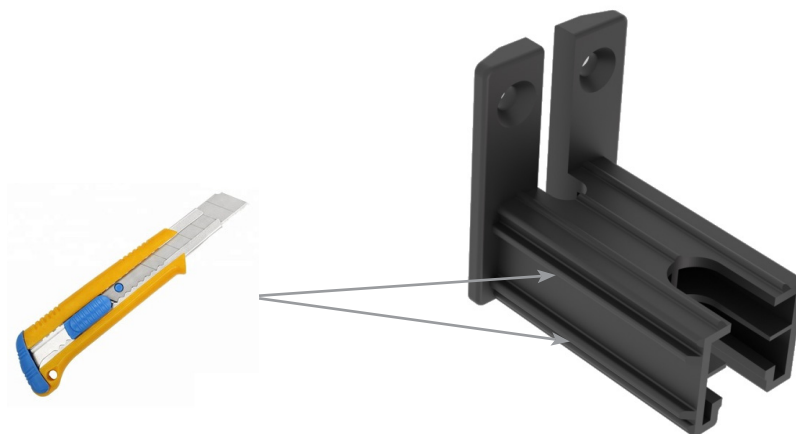


The FB6 is designed to secure the fixed panel to the head of the frame, paired with DR1 Dummy Rollers in the sill. Fixing Blocks are not required to be fixed to the sill.





The FB6 is designed to have a tight fit. It is possible to have a small amount of variance in the aluminium extrusions that will result in the FB6 being too tight. In this case, it is recommended to lightly shear one side of the block to help fitment.



17 Broadfield Road
Broadmeadows VIC 3047
03 9357 2888
www.conceptaluminium.com.au

