

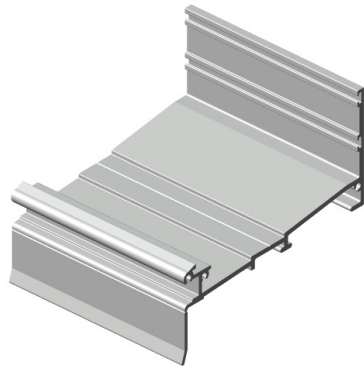


**New
High Performance
Apartment Door**

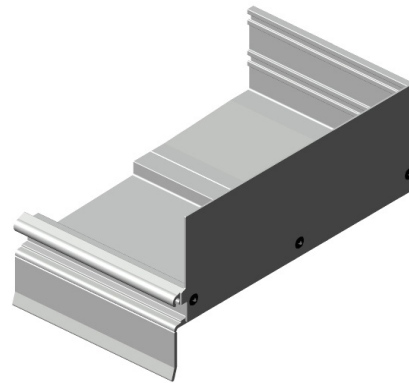
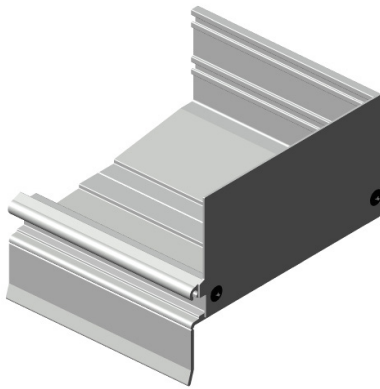
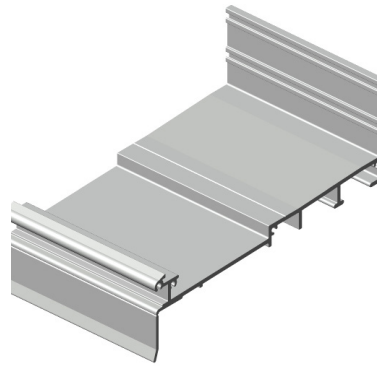
1. 107mm & 159mm Slopped Subsills

Our new 107mm and 159mm Slopped High Performance Subsills were specifically designed to optimise drainage and provide a superior quality subsill option that is guaranteed to elevate the performance of the windows and doors in your next installation.

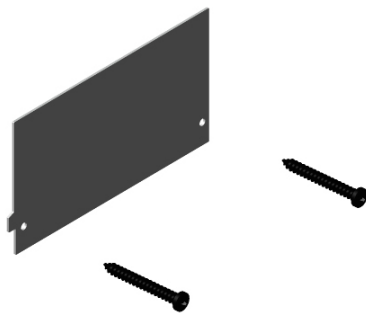
107mm Slopped H/
Performance Sub
Sill
SS25



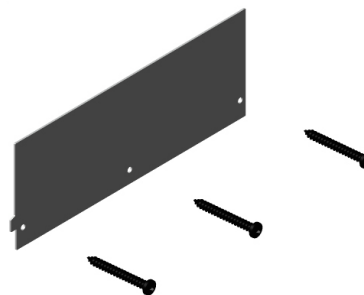
159mm Slopped H/
Performance Sub
Sill
SS15



SS25 End Cap
ECD25



SS15 End Cap
ECD16



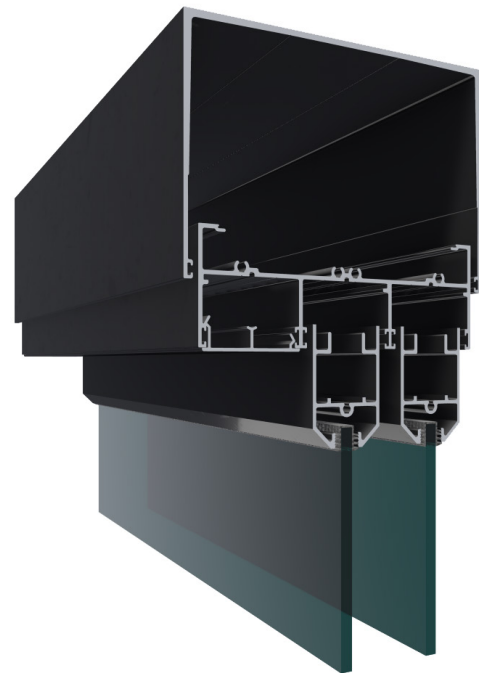
2. 100mm & 150mm Deep Subhead

Our new CA495 100mm Deep Subhead and CA695 150mm Deep Subhead is the second edition of our High Performance system. The new deep subheads are designed to optimise the protection provided by the head and improve the overall quality and durability of the window into it's future wear.



100mm Deep Subhead
CA495

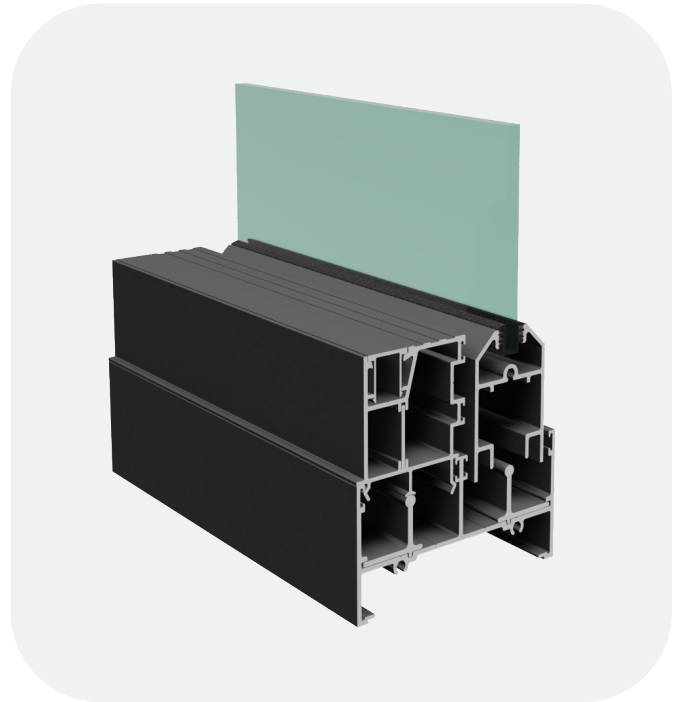
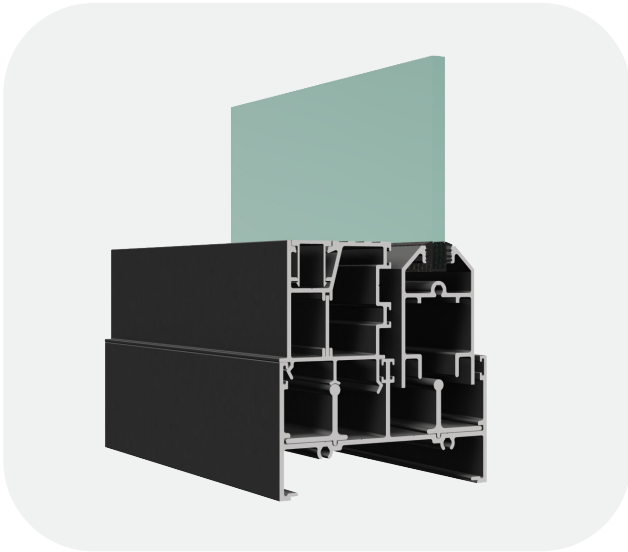
150mm Deep Subhead
CA695



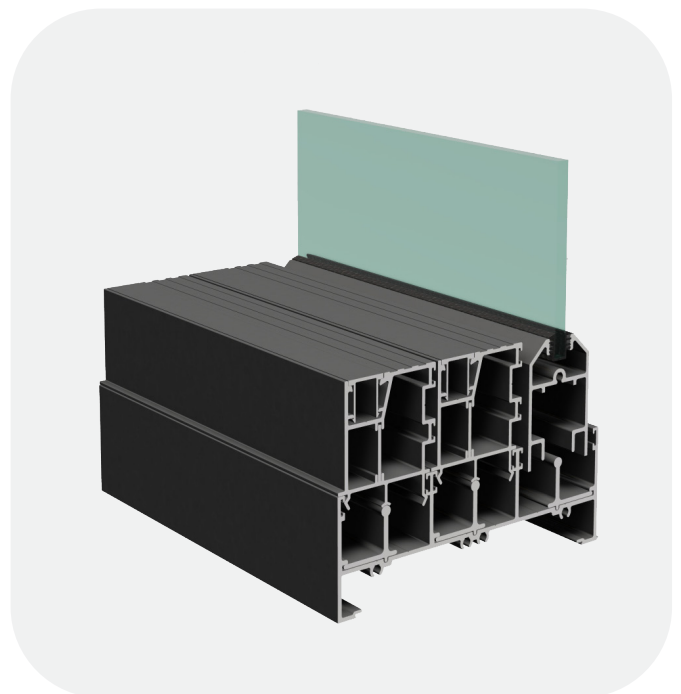
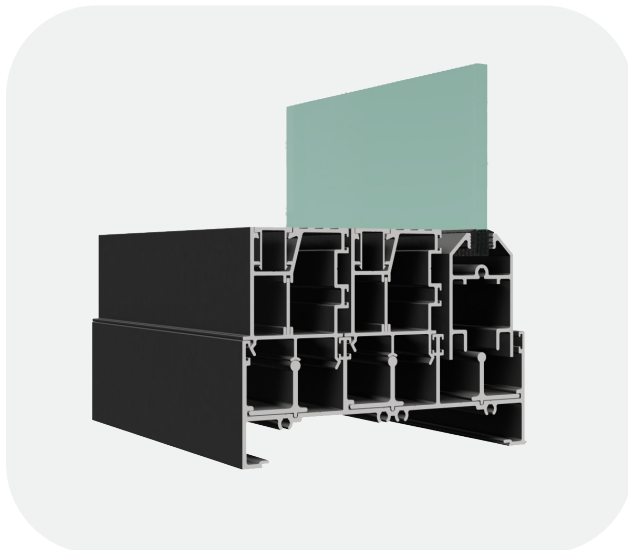
3. 40mm Threshold Cover

Our new 40mm Threshold Cover is the third edition of our new High Performance system. It is available in both a 2 track and a 3- track option.

2 track: **CAD139**



3 track: **CAD139**





17 Broadfield Rd Broadmeadows VIC 3047

03 9357 2888

www.conceptaluminium.com.au

