



ELEGANCE
PUSH
2Go

SD9 Horizon

CONCEPT ARCHITECTURAL SYSTEMS IN PARTNERSHIP WITH AUSTRAL LOCK IS PROUD TO PRESENT THE 'PUSH 2 GO' HINGED LOCK AND THE STYLISH SD9 'HORIZON' SLIDING LOCK FOR SECURITY DOORS.

ELEGANCE PUSH 2 GO

EXTERNAL KEYLESS LOCKING SECURITY DOOR LOCK

Conventional hinged security screen door locks often feature two stage key locking – the first stage is privacy and the second stage is deadlocking. The all new Elegance Push2Go replaces the need for a key to engage privacy locking with a push button so you can “Push2Go”. The door is then privacy locked (not deadlocked) from the outside. The door can be unlocked from the inside with the turn snib and unlocked from the outside with a key.



- Features the patented Push2Go functionality- Exterior keyless privacy lock with interior unlocking via turn snib
- Enhanced resistance to forced entry via a notch in the latch bolt that engages a profiled strike plate aperture
- Self-adjusting catch plate automatically compensates for building movement and door carriage wear to ensure correct latching after continued use
- Jimmy resistant strike plate is designed to deform under attack to enable it to remain engaged with the bolt even as the door is jimmied away from the door jamb
- Optional wide striker plate available
- Available in a wide range of powder coated finishes
- Easy installation for both new and retrofit applications
- Fits into industry standard door cut outs
- Suits both left and right closing doors
- Designed and manufactured in Australia
- 7-year limited tarnish resistant and 10 year limited mechanical guarantee
- Combine with multipoint kits to create a triple lock for extra strength and jimmy resistance

SD9 HORIZON

NEW STYLISH SLIDING SECURITY LOCK

Introducing the NEW SD9 Horizon featuring a stainless steel catch plate and beak to provide increased jimmy resistance.

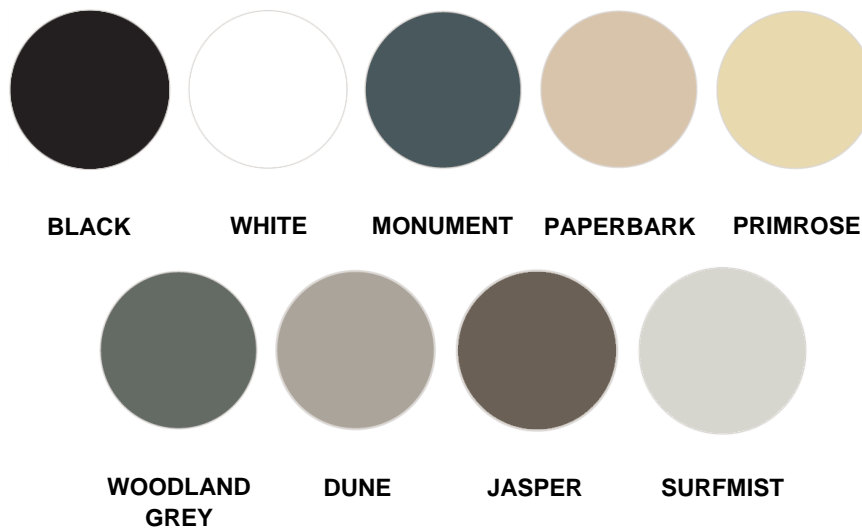
This can be further strengthened when used in combination with a multi point kit to create a triple lock solution.

Manufactured from high purity zinc alloy, the SD9 Horizon sliding security door lock is suitable for both residential and commercial applications.



- Stainless steel beak and catch plate as a standard feature for superior performance
- Contemporary slim design
- Fixing screws only accessible from the inside, providing enhanced security
- Self latching lock bolt engages automatically when the door is closed
- Anti-lift pin on the catch plate engages lock body to prevent the door being lifted out of its tracks
- Combine with multipoint kits to create a triple lock for extra strength and jimmy resistance
- Available in a wide range of powder coated finishes
- Redesigned interior snib for easy installation and keyless locking
- Easy installation for both new and retrofit applications
- Fits into industry standard door cut outs
- Suits both left and right doors
- Designed and manufactured in Australia
- 7 year limited tarnish resistant and 10 year limited mechanical guarantee

Available in a wide range of powder coated colours



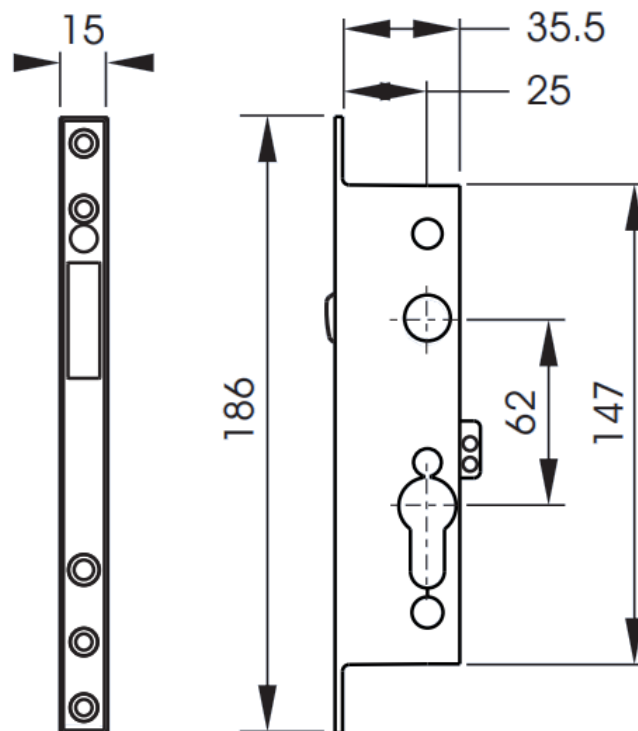
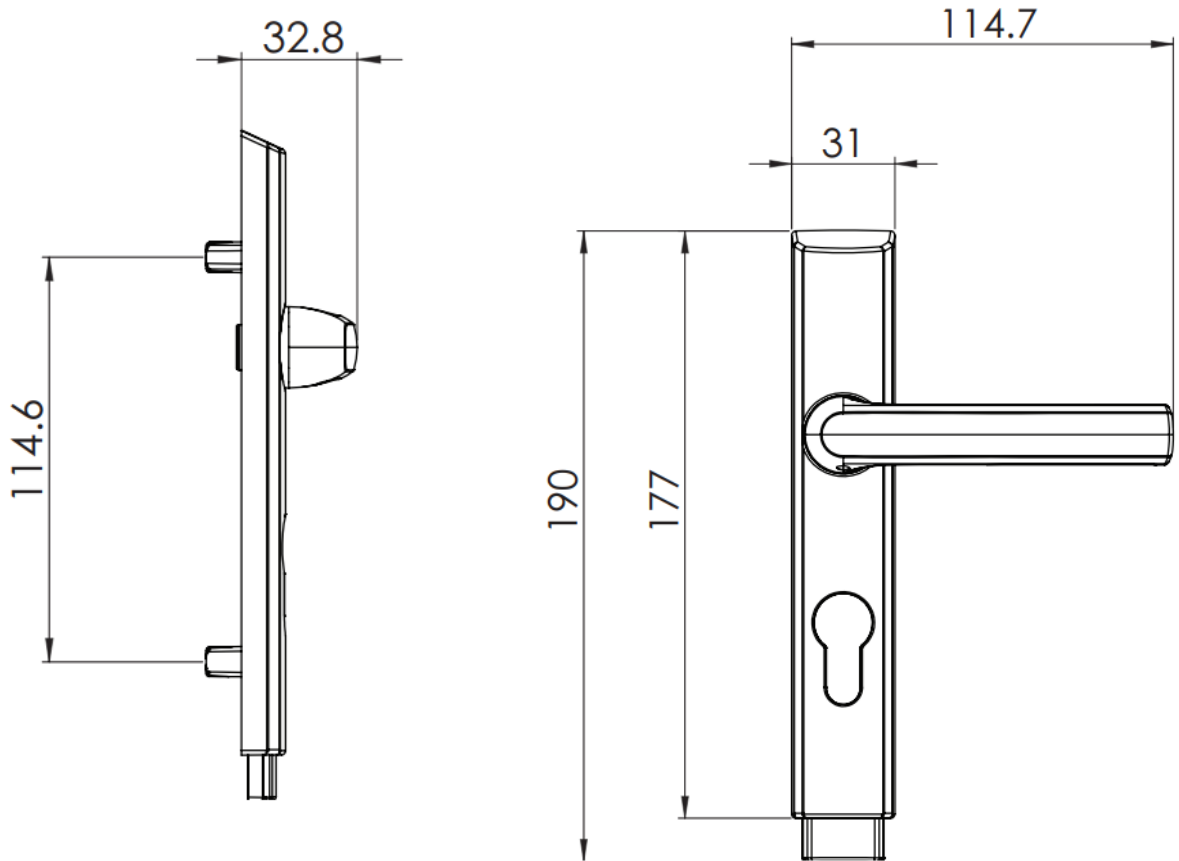
The colours on this chart are as close to the actual colours as printing allows, they should be used only as an approximation of the actual powder coated colours.

CODE	DESCRIPTION	CODE	DESCRIPTION
ELP2G-BLACK	Elegance Push2Go Black	SD9H-BLACK	SD9 Horizon Black
ELP2G-WHITE	Elegance Push2Go White	SD9H-WHITE	SD9 Horizon White
ELP2G-MONUMENT	Elegance Push2Go Monument	SD9H-MONUMENT	SD9 Horizon Monument
ELP2G-PAPERBARK	Elegance Push2Go Paperbark	SD9H-PAPERBARK	SD9 Horizon Paperbark
ELP2G-PRIMROSE	Elegance Push2Go Primrose	SD9H-PRIMROSE	SD9 Horizon Primrose
ELP2G-WOODLAND GREY	Elegance Push2Go Woodland Grey	SD9H-WOODLAND GREY	SD9 Horizon Woodland Grey
ELP2G-DUNE	Elegance Push2Go Dune	SD9H-DUNE	SD9 Horizon Dune
ELP2G-JASPER	Elegance Push2Go Jasper	SD9H-JASPER	SD9 Horizon Jasper
ELP2G-SURFMIST	Elegance Push2Go Surfmist	SD9H-SURFMIST	SD9 Horizon Surfmist

CODE	DESCRIPTION
CYLINDER	Wafer Cylinder
DC1	Door Closer
EKIT-H	Triple Lock Kit
WSP1	Wide Striker Plate

LINE DRAWINGS

ELEGANCE PUSH 2 GO



LINE DRAWINGS

SD9 HORIZON

