

Yarra View Edge Sliding Lock

Sleek and Functional Sliding Apartment Door Lock



FEATURES

The YARRA VIEW EDGE is An all-metal lock for aluminium sliding glass doors featuring a contemporary design.

Compatible systems:

- Comet Sliding Door
- Titan Apartment
- Ultramax Apartment



YARRAVIEW-WHITE



YARRAVIEW-BLACK

Its is also available in Sufmist (**YARRAVIEW-SURFMIST**) and Paperbark (**YARRAVIEW-PAPERBARK**)

- Twin counteracting beaks engage an all-metal catch plate.
- Self-adjusting catch plate automatically compensates for building movement and door carriage wear. Ultramax Apartment
- Anti-slam plunger prevents the door being shut with beaks extended, avoiding damage to beaks and catch plate.
- Fits Industry-standard three-hole door cutouts (three 9mm diameter holes).
- Suits left-closing and right-closing doors (lock is not handed).
- Australian designed and manufactured.
- Choice of wafer and 5-pin type lock cylinders.
- *Does not include cylinder

COMPONENTS



Yarra View 5-Pin Cylinder
YV-CYLINDER

- Each lock requires 2 cylinders
- Pack size: 1



Yarra View Edge Wafer Type Cylinder
YV-WAFER CYLINDER

- Each lock requires 2 cylinders
- Pack size: 1

The Yarra View Edge lock is supplied standard with a 16mm catch plate. This will suit the **Comet** sliding and stacking apartment doors out of the box.

An optional 25mm catch plate is available to suit the **Titan** and **Ultramax** apartment doors.

Standard 16mm Catch Plate
Included in the Yarra View
Lock Assembly
YARRAVIEW

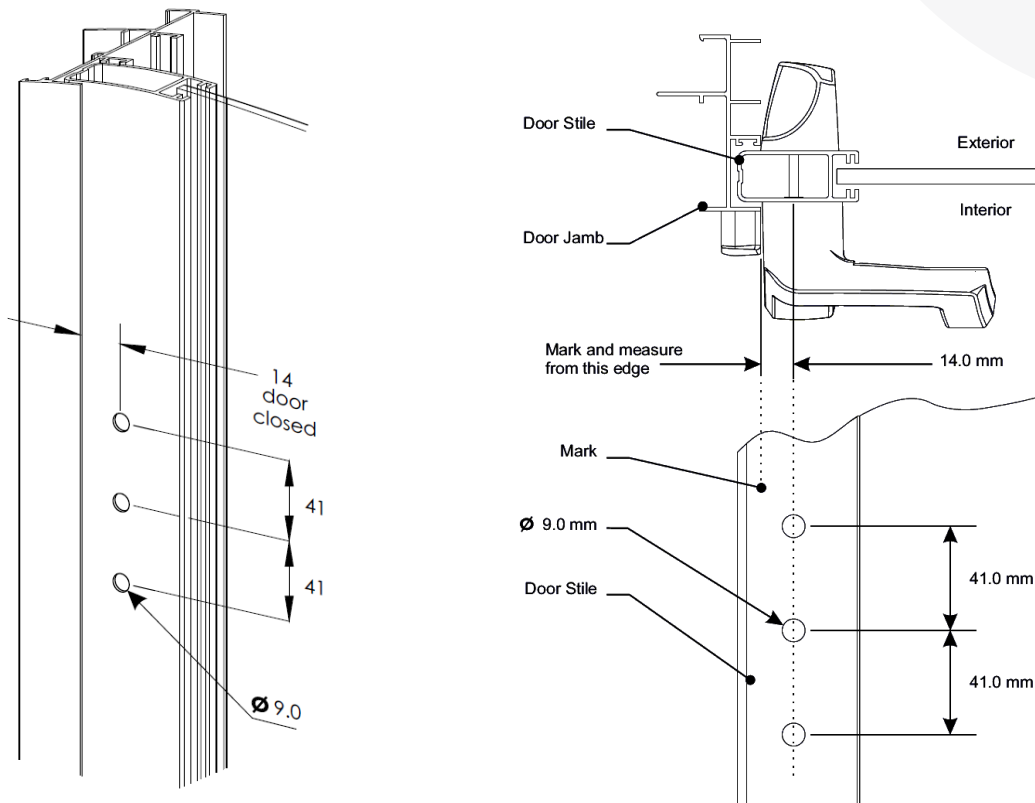
- Pack size: 1



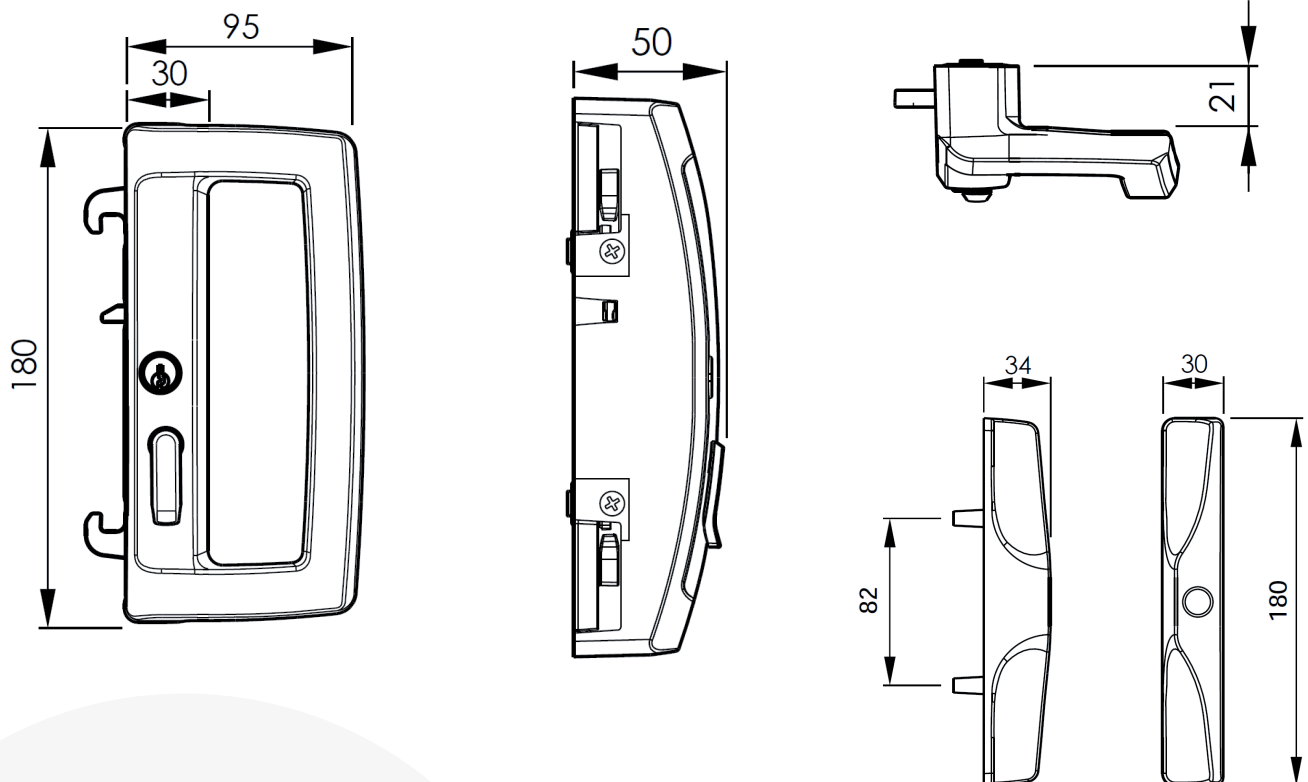
Optional 25mm Catch Plate
YV-Catcher

- Pack size: 1

DOOR CUT OUT GUIDE



TECHNICAL DRAWINGS





17 Broadfield Rd Broadmeadows VIC 3047

03 9357 2888

www.conceptaluminium.com.au

