

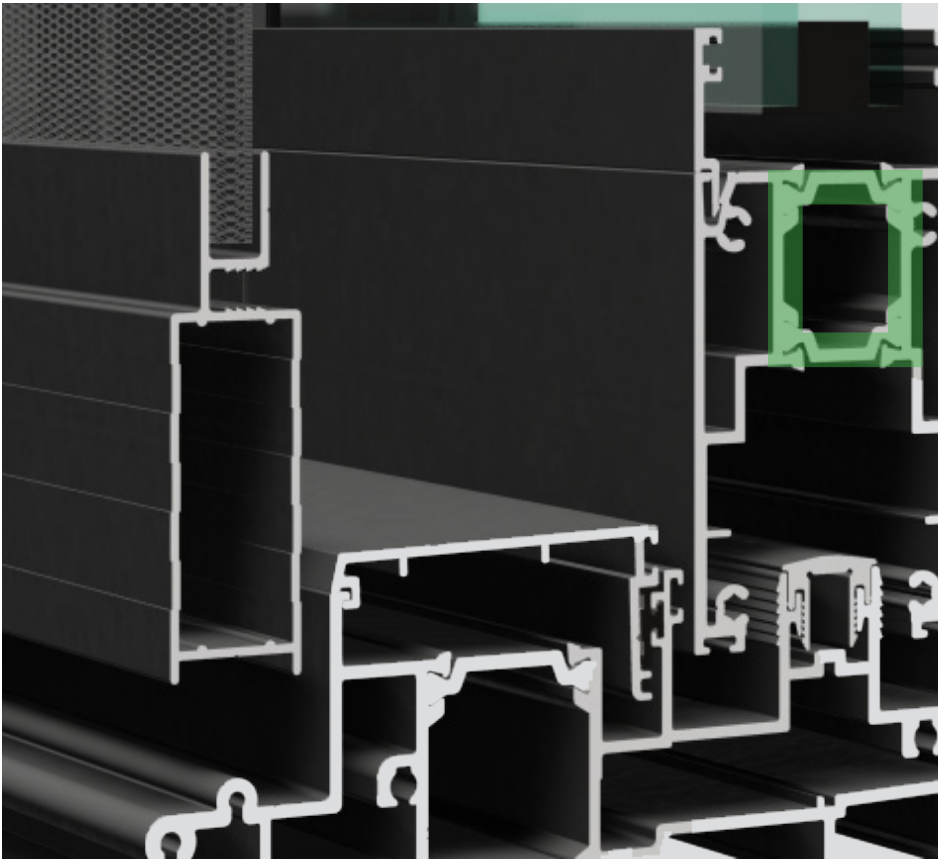


WWW.CONCEPTALUMINIUM.COM

# INTRODUCING **AluTHERM**

THE FUTURE OF WINDOWS AND DOORS

# About Thermal Technology



Concept Architectural Systems is dedicated to designing window and door systems that meet the evolving energy performance demands from commercial, residential and architectural sectors.

Thermally broken windows have a low heat conductive thermal barrier that separates the interior and the exterior metal sections of the window. This stops the direct exchange of hot and cold temperatures and significantly reduces heat transfer in and out of the window.

This barrier is also known as the **'thermal break'**

# From sun to snow

## Stabilising Temperatures

The Victorian Governments 2022 National Construction Code illustrated that there will be an increase in the minimum energy efficiency windows and doors must have in new homes commencing on May 1st 2024.

This comes in alignment with the new 7-star energy efficient building standards in residential homes which include the following three points.



- 1 Use less energy
- 2 Use efficient appliances
- 3 Use renewable energy

---

This proposes the benefits of thermally broken windows and doors which builds energy efficiency into your home. Thermally broken windows also help to regulate the temperature within your home throughout seasons. Not only does this make thermally broken windows an energy efficient choice, but will help you save money into the long term on heating and cooling.



## Innovative Our design

Concept Architectural Systems has partnered with the pioneers of thermally broken technology, Technoform, to design our AluTHERM range. Our systems use cutting edge low lambda Polymaid thermal breaks which has allowed us to achieve industry thermal efficiency, whilst maintaining the aluminium's quality of premium stiffness and mechanical stability.

---

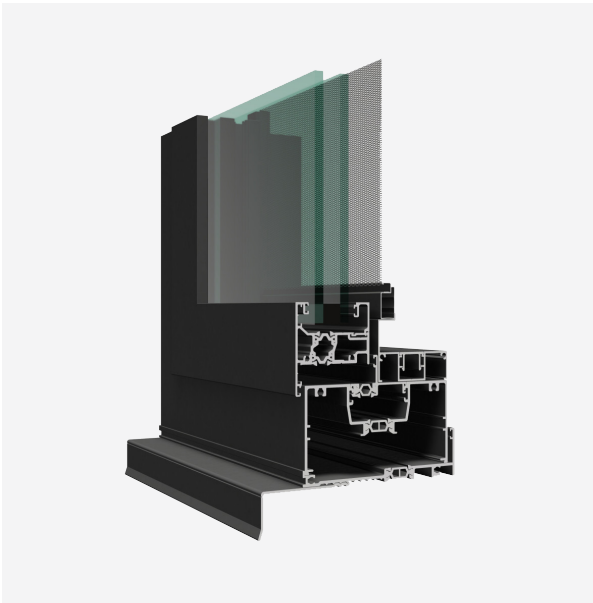
"Our new AluTherm range is a testament of our ongoing commitment to embrace new technology and generate high end systems for Australian consumers."

- Concept Architectural Directors Nick and John Makris

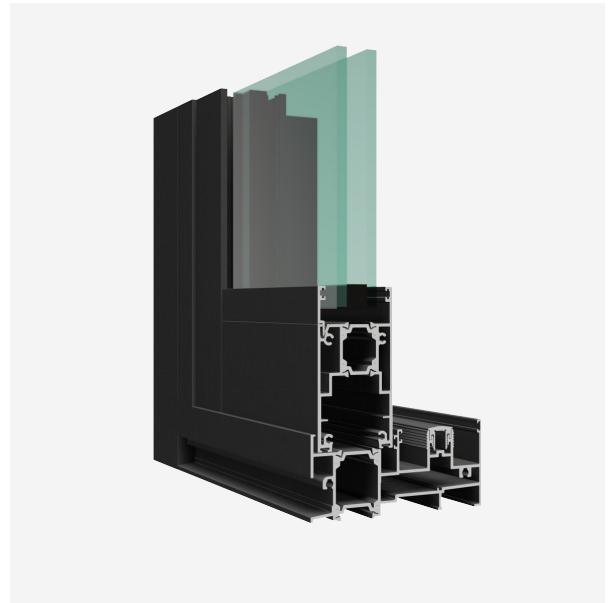
Our commercial range

# Introducing ThermaCOMM

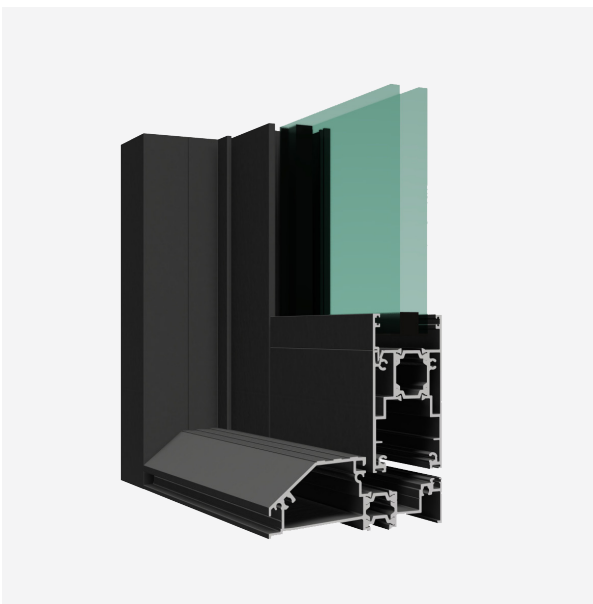
Concept Architectural Systems is proud to introduce our commercial thermally broken window and door systems, which come under the sub brand, ThermaCOMM. The systems available in this range include a Fixed / Awning Window, Sliding Door, Hinge Door open in, and out.



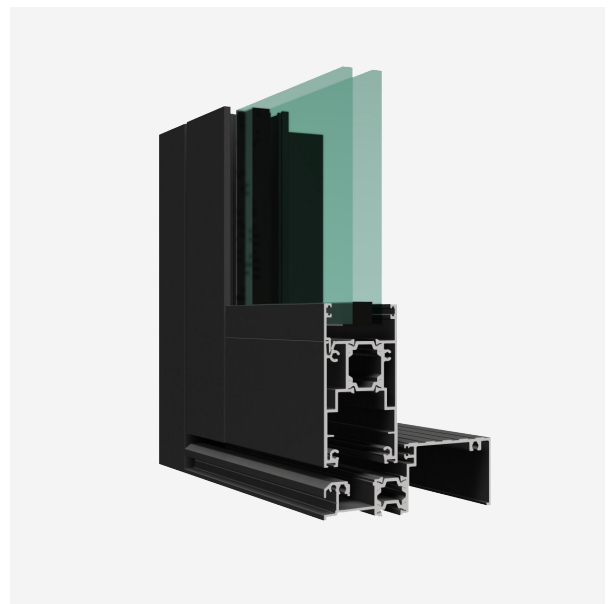
**ThermaCOMM Fixed / Awning Window**



**ThermaCOMM Sliding Door**



**ThermaCOMM Hinge Door - Open in**



**ThermaCOMM Hinge Door - Open out**

Our residential range

# Introducing ThermaRES

Concept Architectural Systems is proud to introduce our residential thermally broken window and door system, which comes under the sub brand, ThermaRES. The system available in this range is a Fixed / Awning Window.



**ThermaRES Fixed / Awning Window**



## Designed to achieve **Commercial grade-finishes**

Our AluTHERM range was designed strategically to be interchanged to use our ThermaCOMM systems in residential projects. Using our commercial grade systems in your residential projects gives your project a competitive edge in appearance, functionality, and quality that will withstand well into the future. Our ThermaCOMM and ThermaRES ranges were made with intention to compete with the performance of other thermal window and door systems to ensure they provide you with reliable and effective heat conductivity.



17 Broadfield Rd Broadmeadows VIC 3047

03 9357 2888

[www.conceptaluminium.com.au](http://www.conceptaluminium.com.au)

