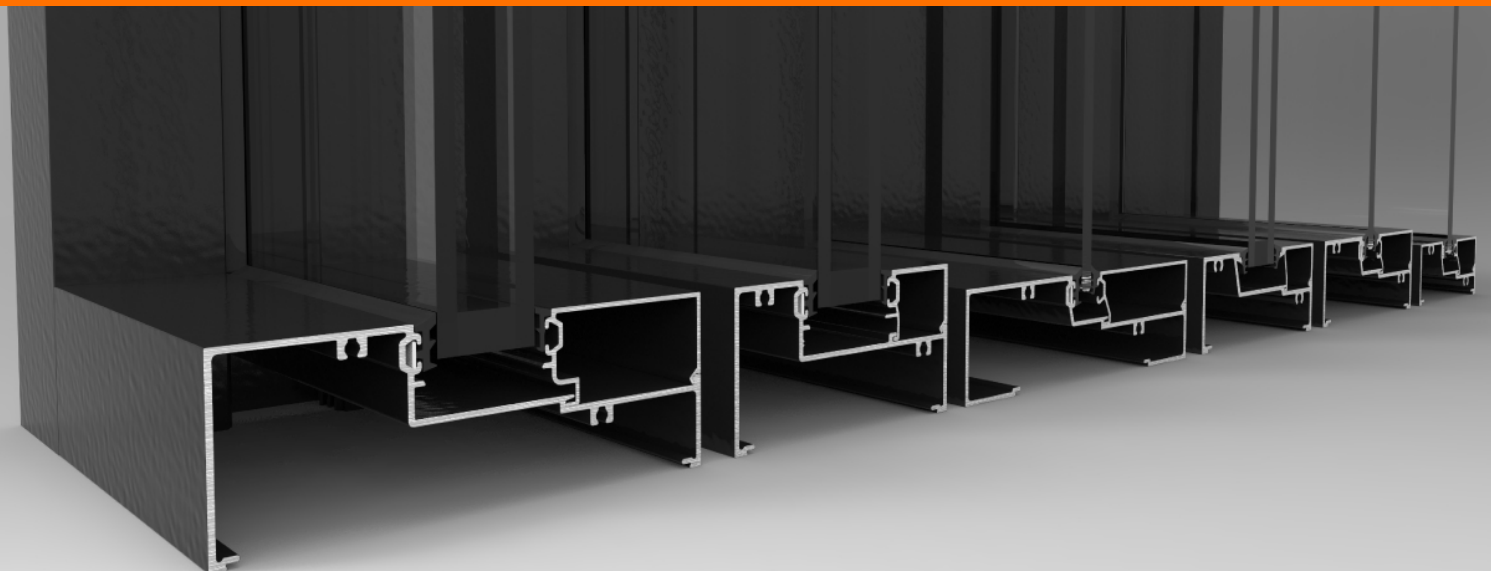


CAS CONCEPT
ARCHITECTURAL
SYSTEMS



Alu **COMM**

1:1 SCALE
COMMERCIAL PROFILE CATALOGUE



CONTENTS

CENTRE GLAZED

7635-SG Centre Glazed	1
10044-SG Centre Glazed	4
10044-DG Centre Glazed	7
15044-SG Centre Glazed	9
10055-DG/SG Centre Glazed	11
10055-DG/SG Inline Sash	15
Ultramax Plus/Awning Casement	17
Ultramax Casement	19
Ultramax Sliding Window	21
Ultramax Double Hung Window	25
15055-DG/SG Centre Glazed	28
64mm Office Partition	31

FRONT GLAZED

10055-SG Front Glazed	33
15055-SG Front Glazed	37
10055-DG Front Glazed	41
10055-DG Inline Sash	44
15055-DG Front Glazed	46
15055-DG Curtain Wall	49

FLUSH GLAZED

10350 Flush Glazed	52
--------------------	----

FLAT SASH

Commerical Flat Sash	56
----------------------	----

SUB FRAMING

Sub Framing	57
Miscellaneous Framing Profiles	64

SLIDING DOOR

Titan Apartment Door	66
Ultramax Apartment Door	69
4-Track Apartment Door	72
Built-In FlyTrack Apartment Door	75
Flat Jamb Apartment Door	78
Apartment Door Panels	79

BI-FOLD DOOR

Windsor Bi-Fold Door	83
----------------------	----

HINGE DOOR

Hinge Door	88
Pivot Door	94
Door Sills/Thresholds	98

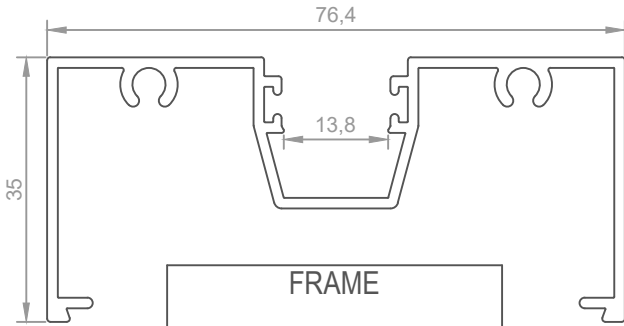
TOP HUNG DOOR

Top Hung Door	100
---------------	-----

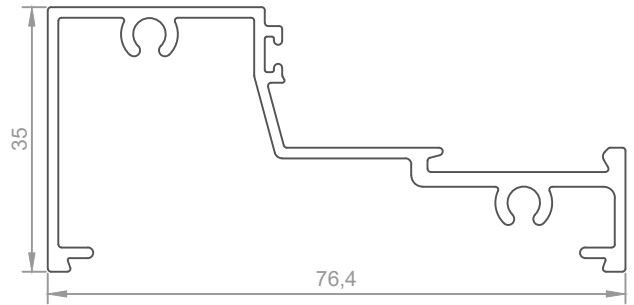
MISCELLANEOUS SYSTEMS

Security Profiles	103
Flyscreens	105
Louvres/Privacy Screens	106
Batten System	109
Gutter Sill	111

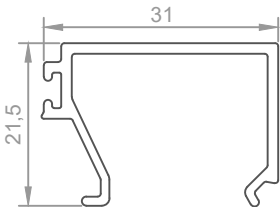
7635-SG Center Glazed



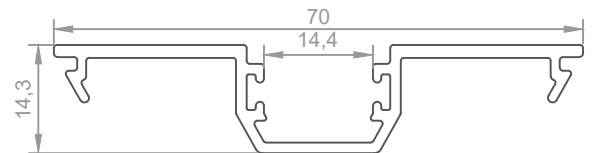
FRAME	
Part no.	Length
CA300	6500



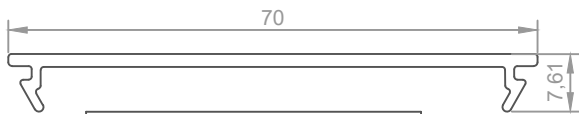
SILL	
Part no.	Length
CA301	6500



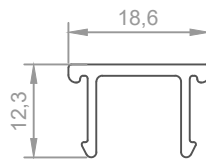
SILL BEAD	
Part no.	Length
CA302	6500



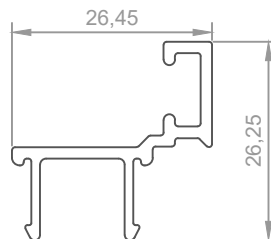
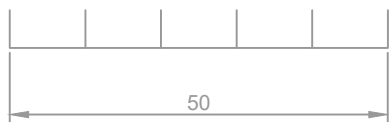
ADAPTER	
Part no.	Length
CA303	6500



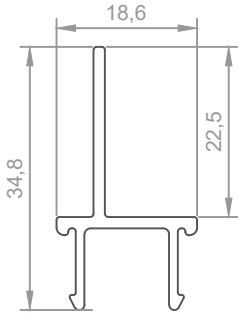
FLAT FILLER	
Part no.	Length
CA304	6500



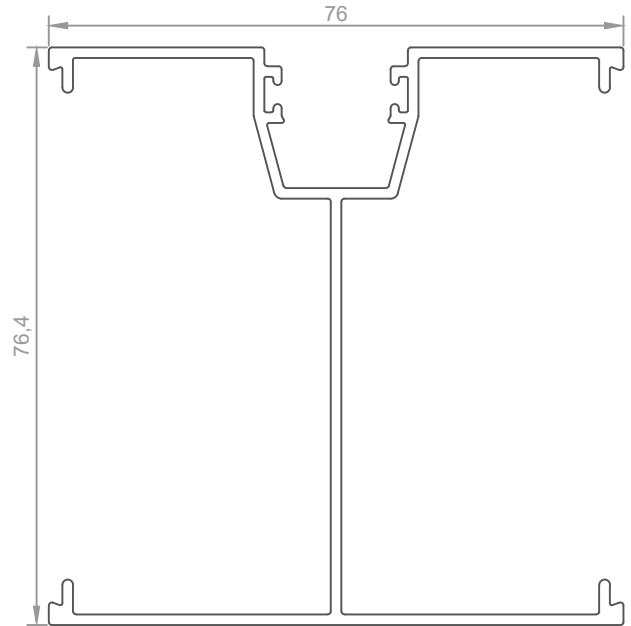
POCKET FILLER	
Part no.	Length
CA305	6500



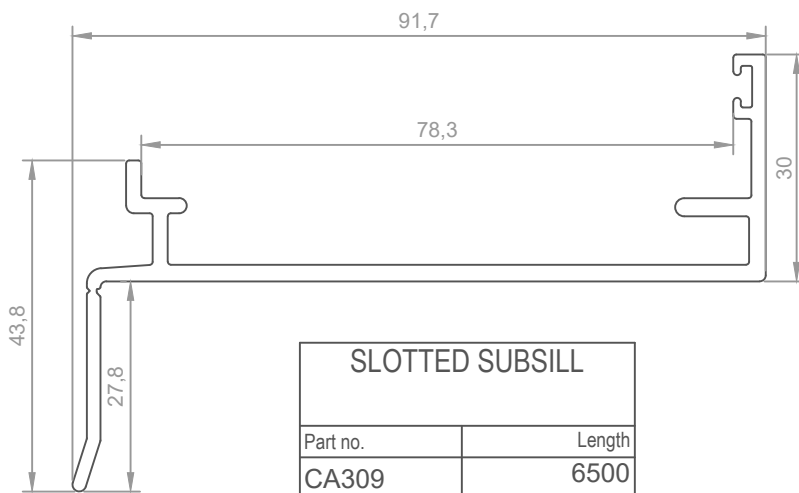
DOOR STOP	
Part no.	Length
CA306	6500



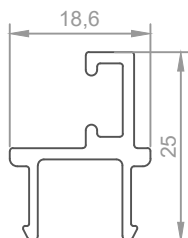
SASH STOP	
Part no.	Length
CA307	6500



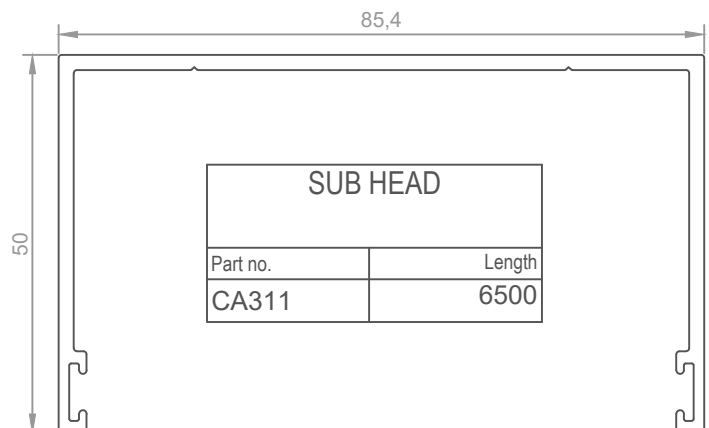
CORNER POST	
Part no.	Length
CA308	6500



SLOTTED SUBSILL	
Part no.	Length
CA309	6500



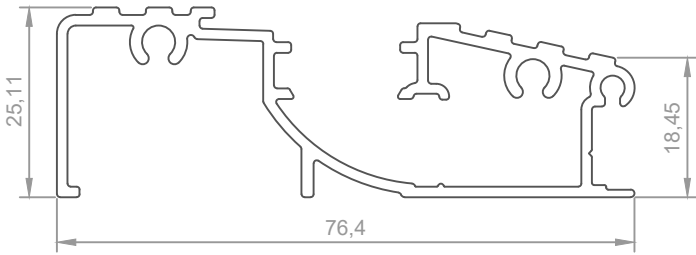
DOOR STOP	
Part no.	Length
CA310	6500



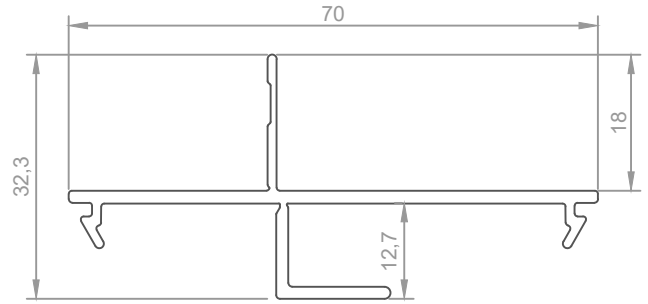
SUB HEAD	
Part no.	Length
CA311	6500

IMPORTANT NOTICE

THIS DRAWING AND THE DESIGN SHOWN IS THE INTELLECTUAL PROPERTY OF CONCEPT ARCHITECTURAL SYSTEMS AND IS PROTECTED BY COPYRIGHT. THIS DRAWING MAY NOT BE COPIED OR DISTRIBUTED WITHOUT THE WRITTEN CONSENT OF CONCEPT ARCHITECTURAL SYSTEMS ©



DOOR SILL / THRESHOLD	
Part no.	Length
CA314	6500

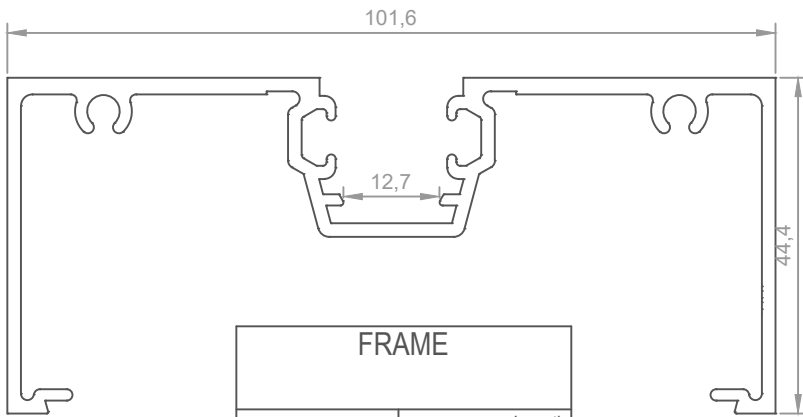


REVEAL ADAPTER	
Part no.	Length
CA313	6500

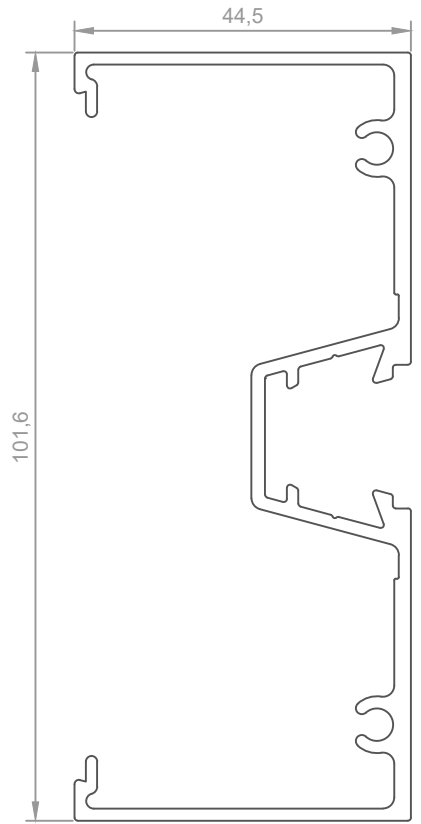
IMPORTANT NOTICE

THIS DRAWING AND THE DESIGN SHOWN IS THE INTELLECTUAL PROPERTY OF
CONCEPT ARCHITECTURAL SYSTEMS AND IS PROTECTED BY COPYRIGHT. THIS DRAWING MAY NOT BE
 COPIED OR DISTRIBUTED WITHOUT THE WRITTEN CONSENT OF **CONCEPT ARCHITECTURAL SYSTEMS** ©

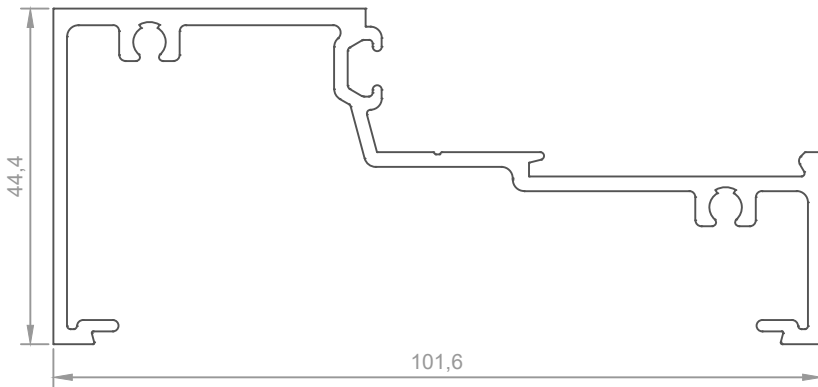
10044-SG Center Glazed



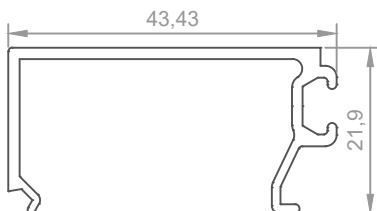
FRAME	
Part no.	Length
CA460	6500



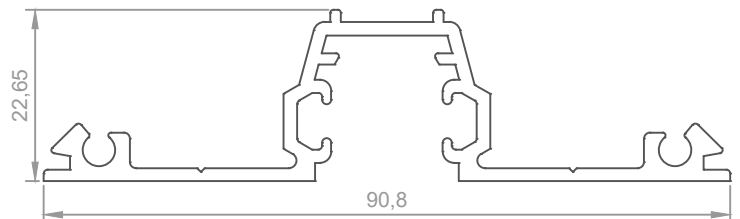
FRAME	
Part no.	Length
CA417	6500



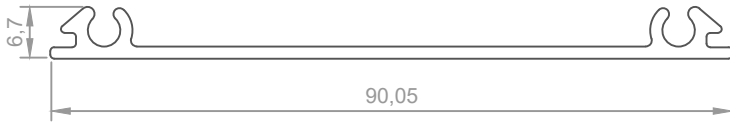
SILL	
Part no.	Length
CA461	6500



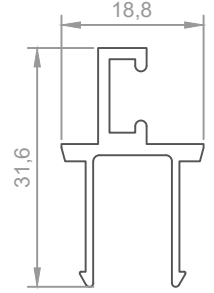
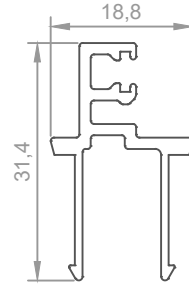
SILL BEAD	
Part no.	Length
CA462	6500



ADAPTER	
Part no.	Length
CA463	6500

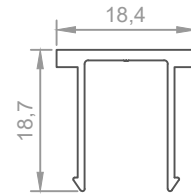
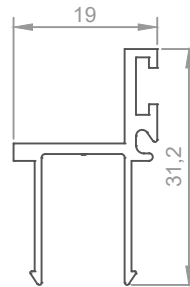
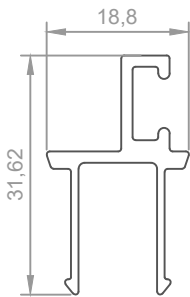


FLAT FILLER	
Part no.	Length
CA102	6500



DOOR STOP	
Part no.	Length
CA458	6500

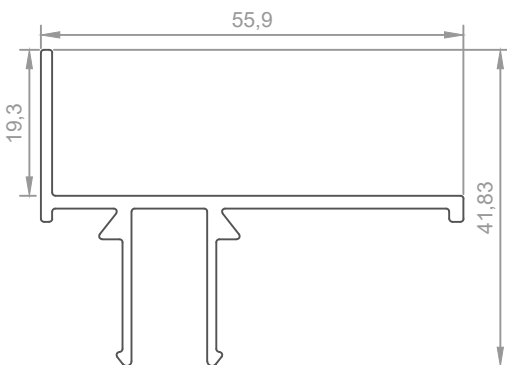
DOOR STOP	
Part no.	Length
CA407	6500



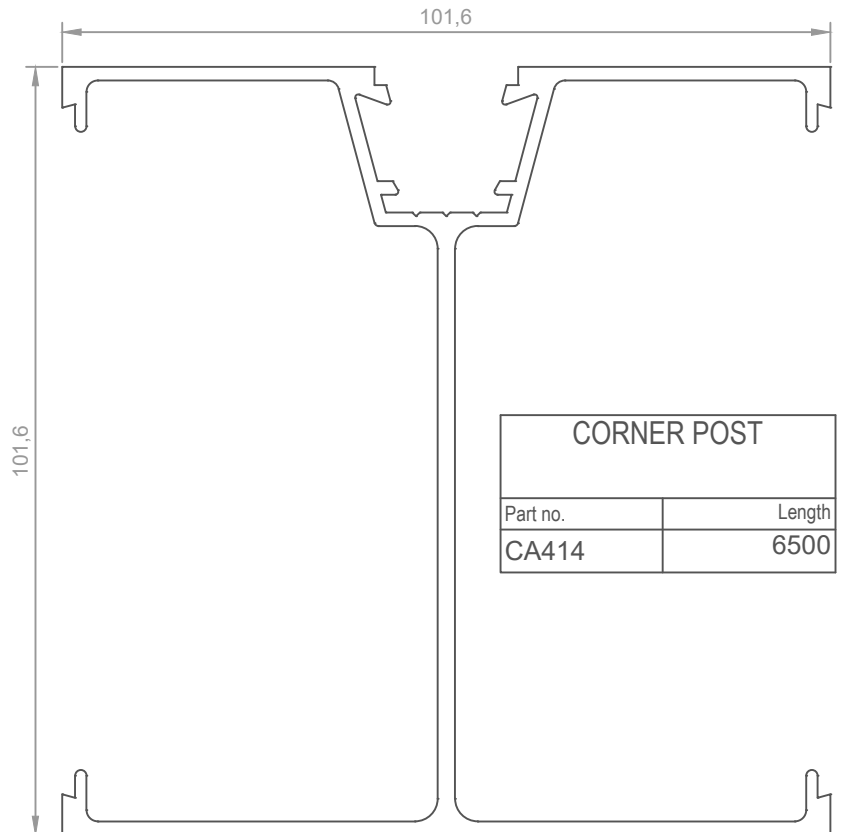
DOOR STOP	
Part no.	Length
CA455	6500

DOOR STOP	
Part no.	Length
CA408	6500

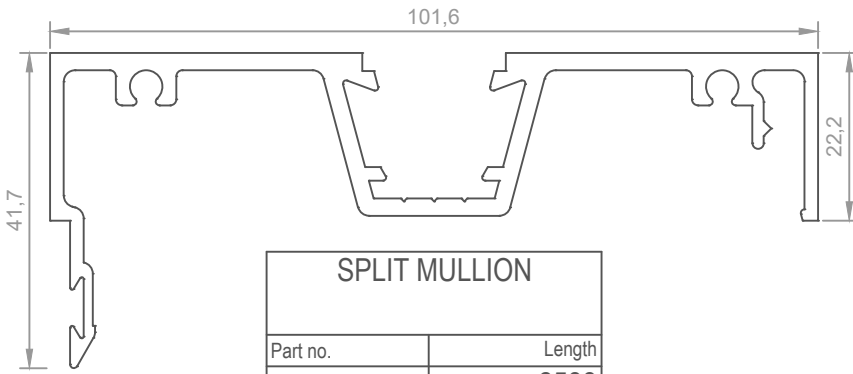
POCKET FILLER	
Part no.	Length
CA409	6500



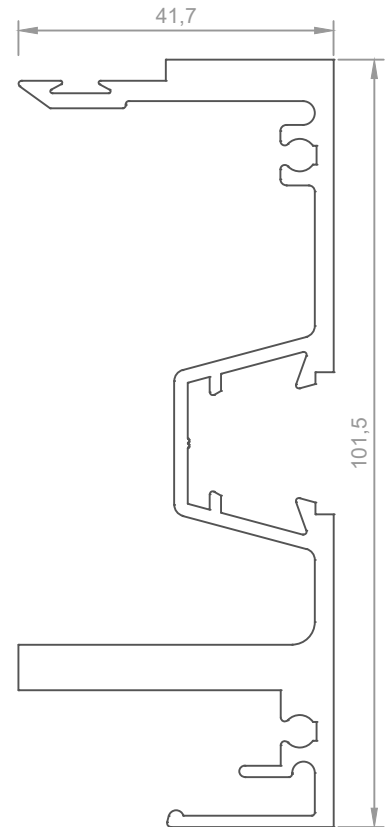
SASH STOP	
Part no.	Length
CA413	6500



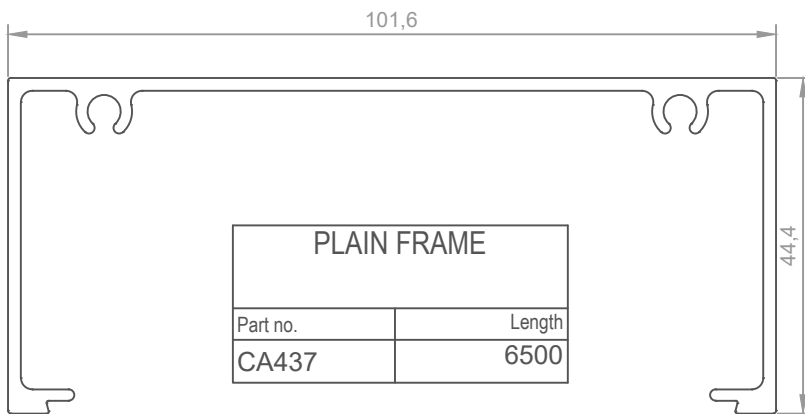
CORNER POST	
Part no.	Length
CA414	6500



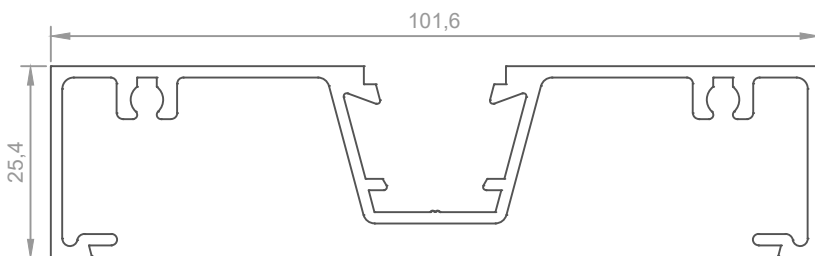
SPLIT MULLION	
Part no.	Length
CA464	6500



HEAVY DUTY SPLIT MULLION	
Part no.	Length
CA416	6500



PLAIN FRAME	
Part no.	Length
CA437	6500

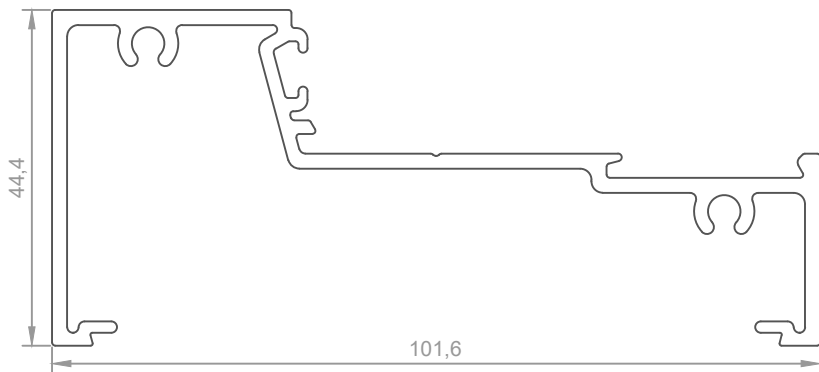
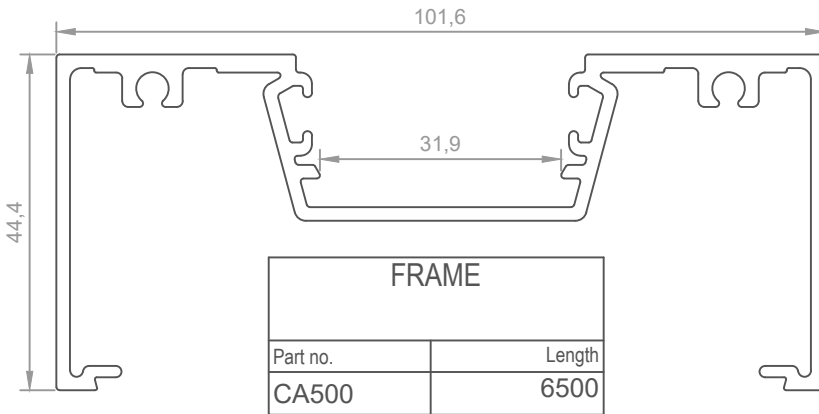


NARROW FRAME	
Part no.	Length
CA424	6500

IMPORTANT NOTICE

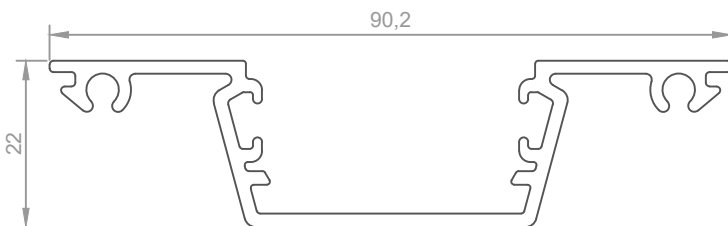
THIS DRAWING AND THE DESIGN SHOWN IS THE INTELLECTUAL PROPERTY OF CONCEPT ARCHITECTURAL SYSTEMS AND IS PROTECTED BY COPYRIGHT. THIS DRAWING MAY NOT BE COPIED OR DISTRIBUTED WITHOUT THE WRITTEN CONSENT OF CONCEPT ARCHITECTURAL SYSTEMS ©

10044-DG Center Glazed

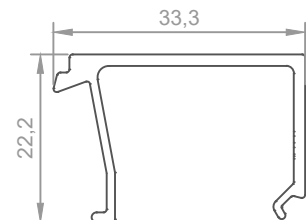


SILL	
Part no.	Length
CA502	6500

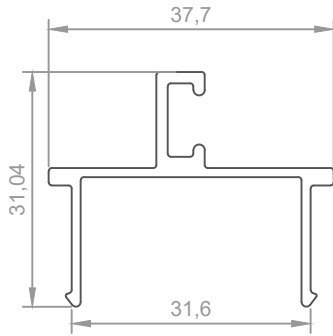
DOUBLE BEADED SILL	
Part no.	Length
CA507	6500



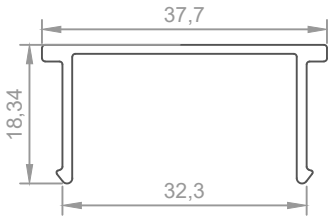
ADAPTER	
Part no.	Length
CA504	6500



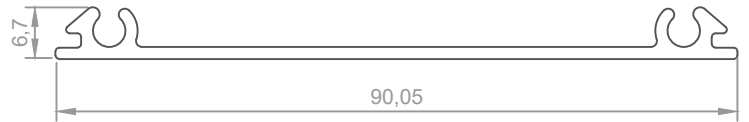
SILL BEAD	
Part no.	Length
CA503	6500



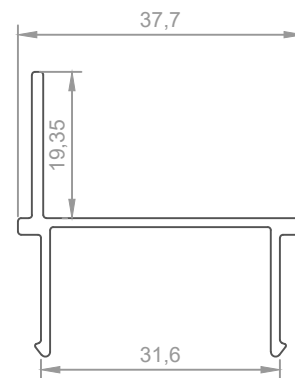
DOOR STOP	
Part no.	Length
CA506	6500



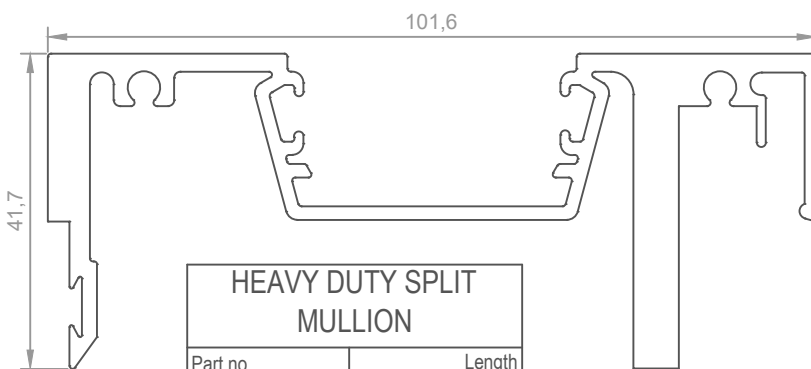
POCKET FILLER	
Part no.	Length
CA501	6500



FLAT FILLER	
Part no.	Length
CA102	6500



SASH STOP	
Part no.	Length
CA505	6500

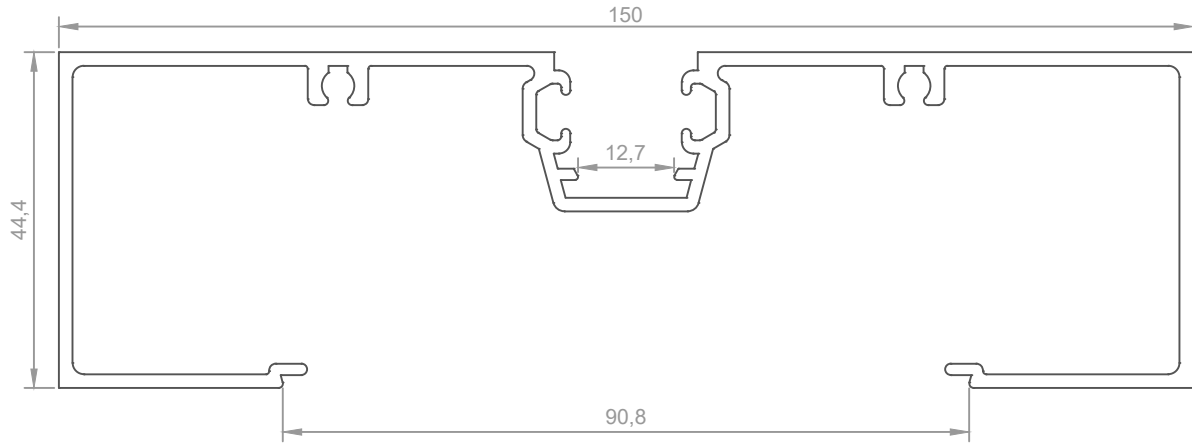


HEAVY DUTY SPLIT MULLION	
Part no.	Length
CA511	6500

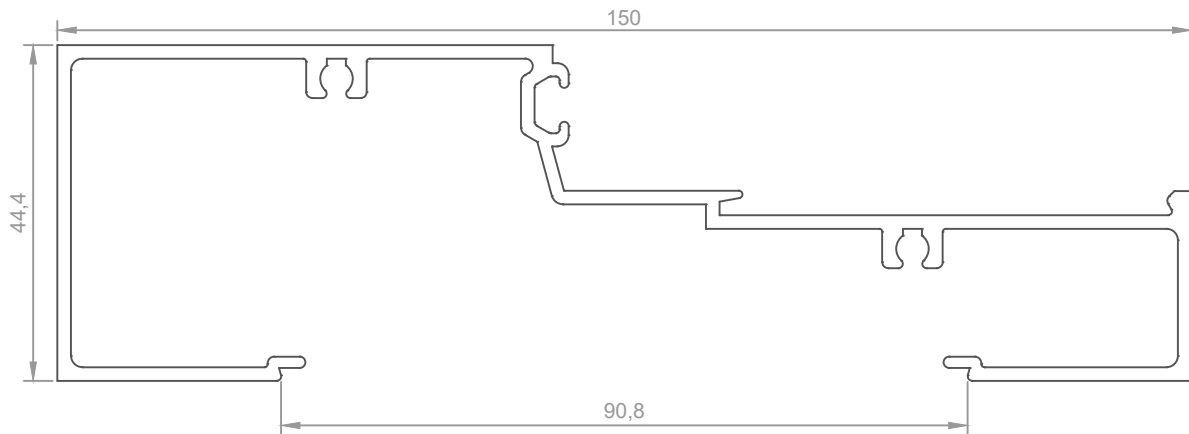
IMPORTANT NOTICE

THIS DRAWING AND THE DESIGN SHOWN IS THE INTELLECTUAL PROPERTY OF CONCEPT ARCHITECTURAL SYSTEMS AND IS PROTECTED BY COPYRIGHT. THIS DRAWING MAY NOT BE COPIED OR DISTRIBUTED WITHOUT THE WRITTEN CONSENT OF CONCEPT ARCHITECTURAL SYSTEMS ©

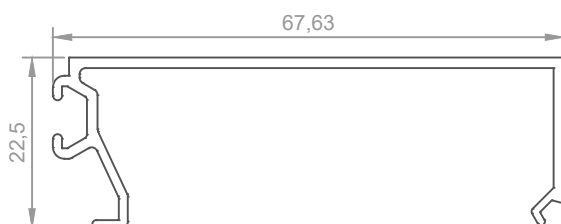
15044-SG Center Glazed



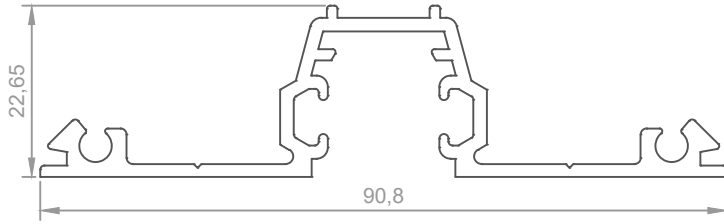
FRAME	
Part no.	Length
CA600	6500



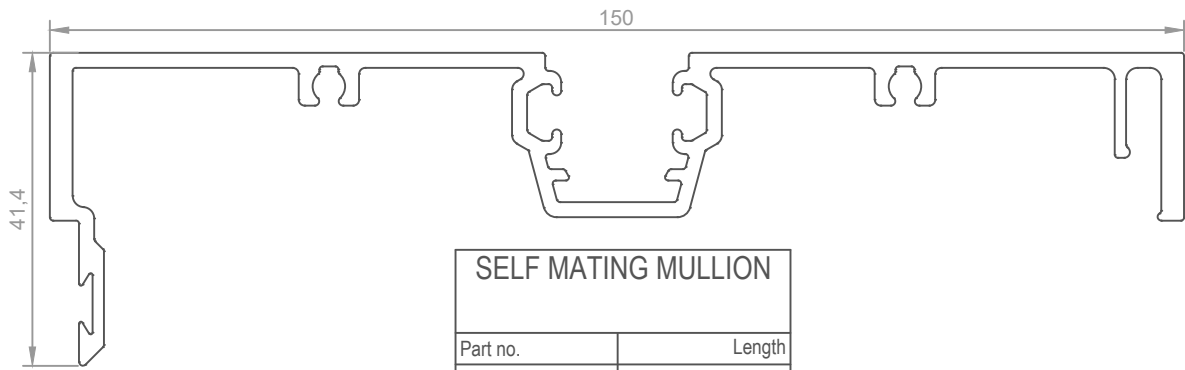
SILL	
Part no.	Length
CA601	6500



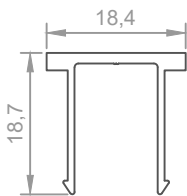
SILL BEAD	
Part no.	Length
CA602	6500



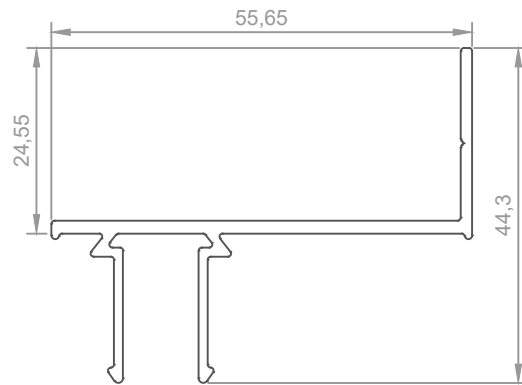
ADAPTER	
Part no.	Length
CA463	6500



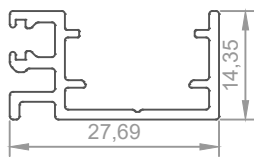
SELF MATING MULLION	
Part no.	Length
CA608	6500



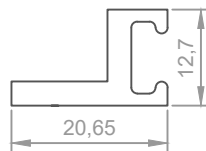
POCKET FILLER	
Part no.	Length
CA409	6500



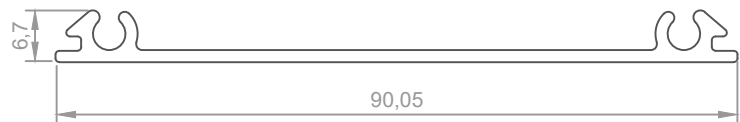
SASH STOP	
Part no.	Length
CA612	6500



PLANT ON DOOR STOP	
Part no.	Length
CA459	6500

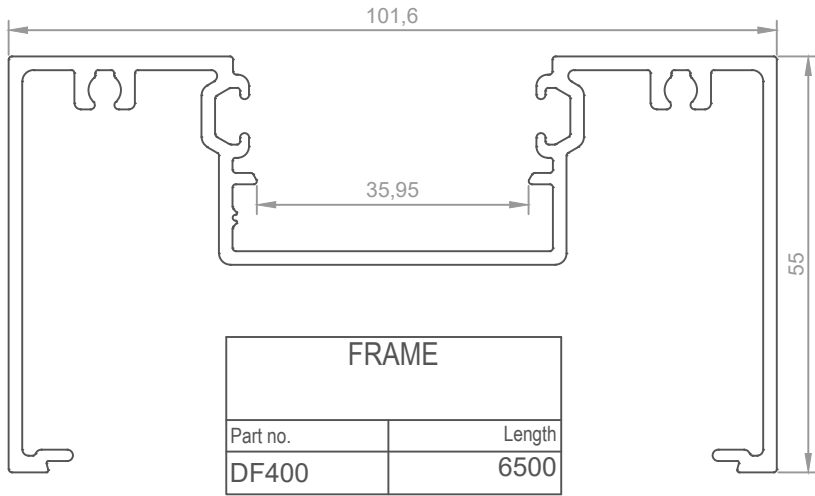


PLANT ON DOOR STOP	
Part no.	Length
CA427	6500

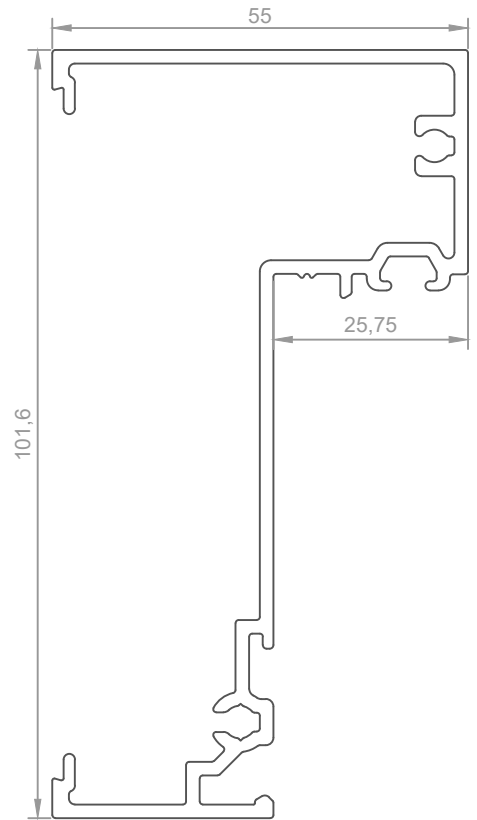


FLAT FILLER	
Part no.	Length
CA102	6500

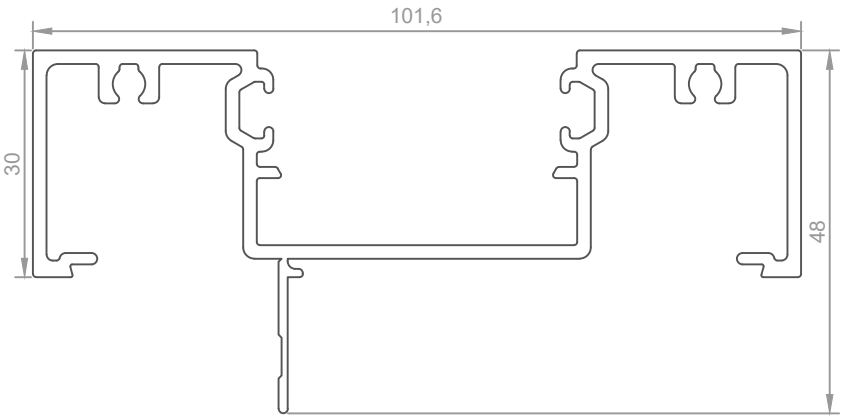
10055-DG/SG Center Glazed



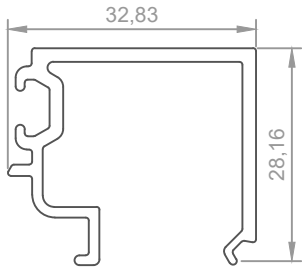
FRAME	
Part no.	Length
DF400	6500



SILL	
Part no.	Length
DF401	6500



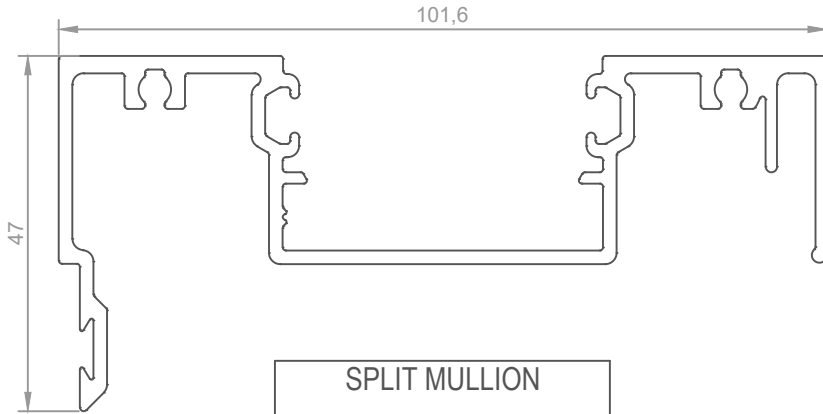
NARROW FRAME	
Part no.	Length
DF414	6500



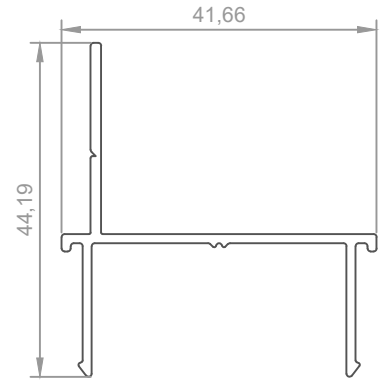
SILL BEAD	
Part no.	Length
DF402	6500



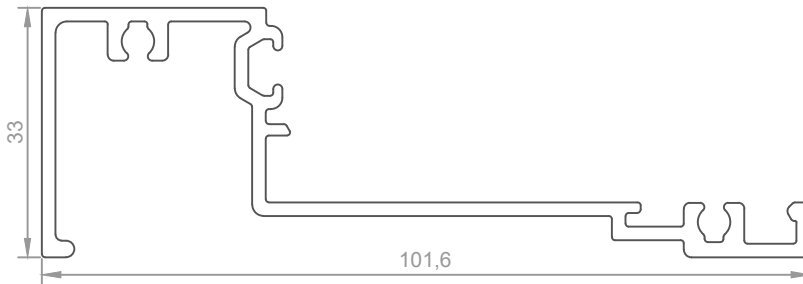
ADAPTER	
Part no.	Length
DF403	6500



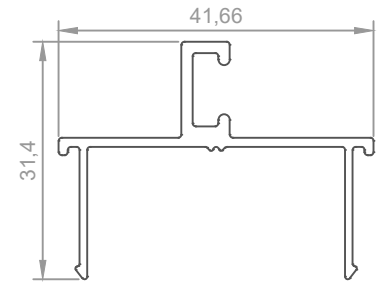
SPLIT MULLION	
Part no.	Length
DF404	6500



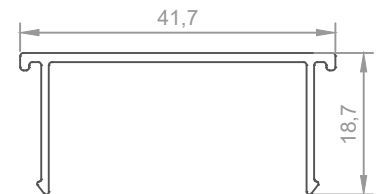
SASH STOP	
Part no.	Length
DF406	6500



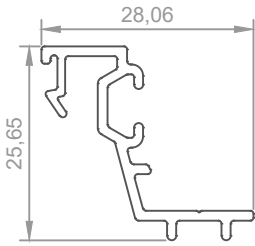
NARROW SILL	
Part no.	Length
DF417	6500



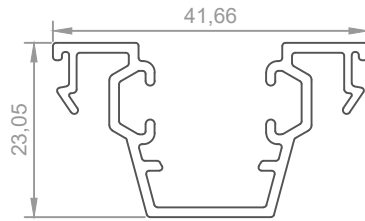
DOOR STOP	
Part no.	Length
DF405	6500



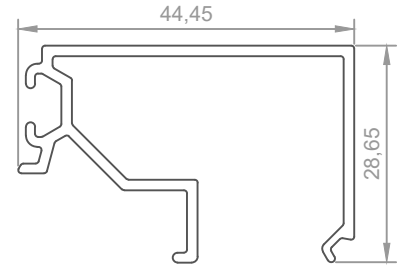
DOUBLE GLAZED POCKET FILLER	
Part no.	Length
DF605	6500



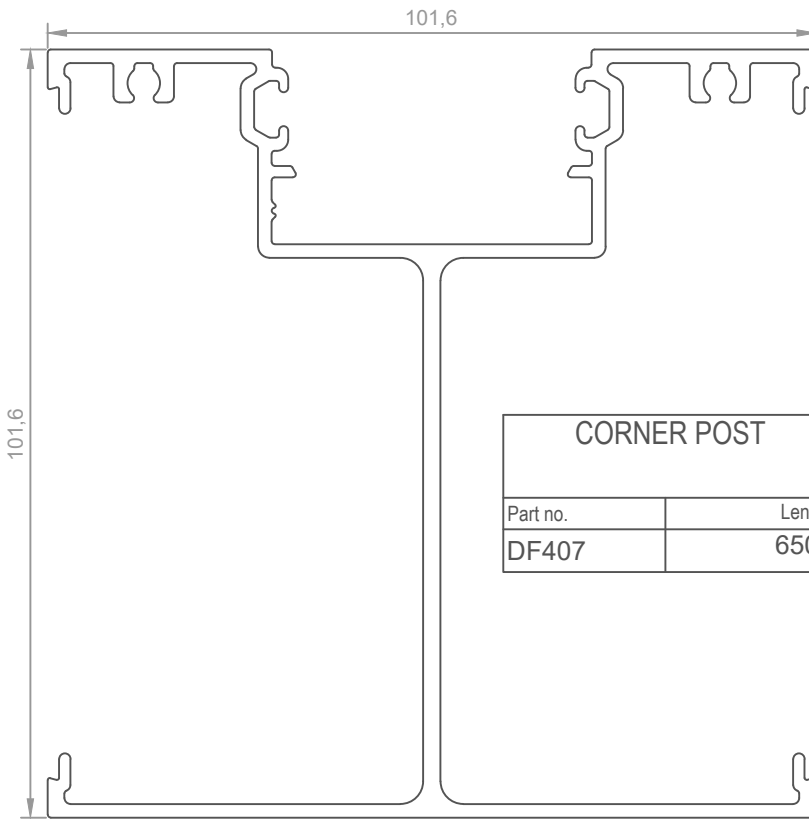
POCKET ADAPTER	
Part no.	Length
DF610	6500



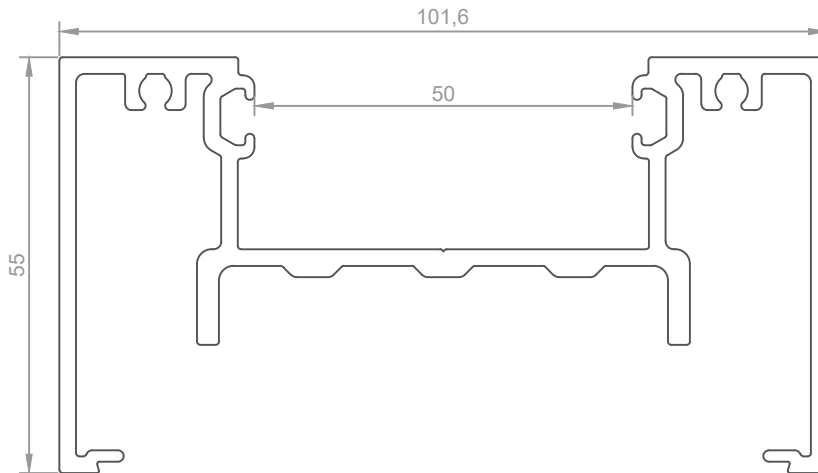
SINGLE GLAZED POCKET INSERT	
Part no.	Length
DF606	6500



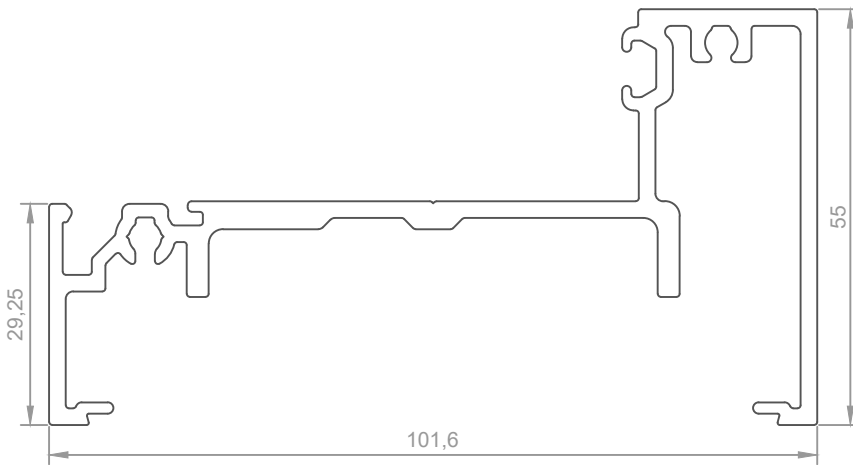
SINGLE GLAZED SILL BEAD	
Part no.	Length
DF408	6500



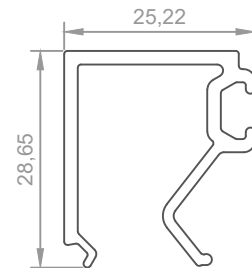
CORNER POST	
Part no.	Length
DF407	6500



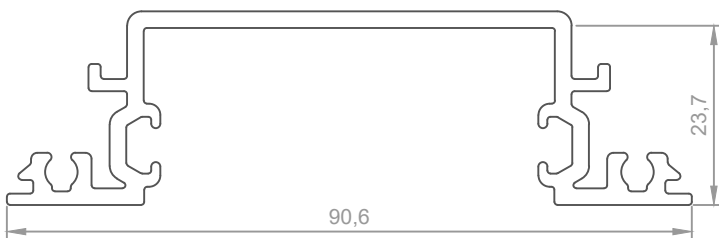
50MM POCKET FRAME	
Part no.	Length
DF450	6500



50MM POCKET SILL	
Part no.	Length
DF451	6500

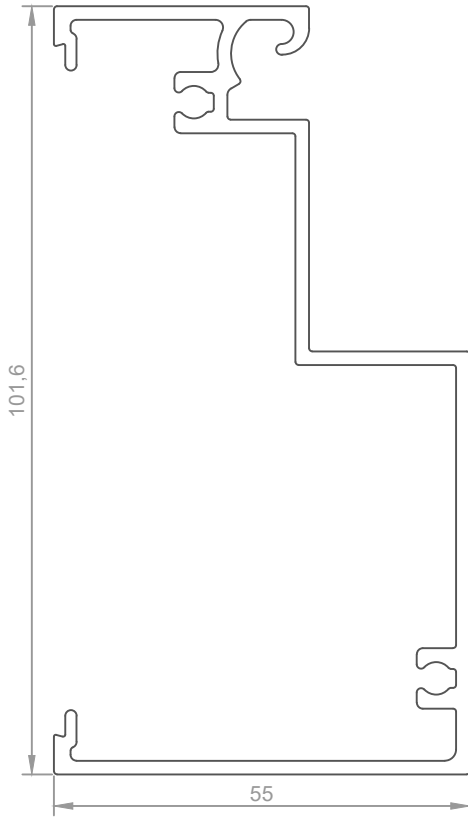


50MM POCKET BEAD	
Part no.	Length
DF454	6500

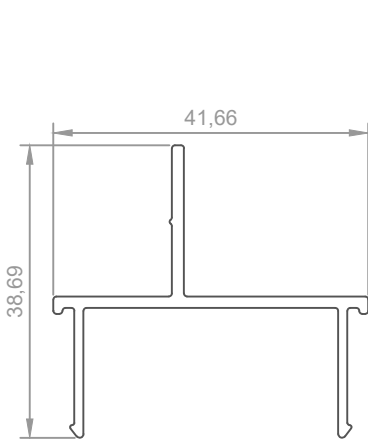
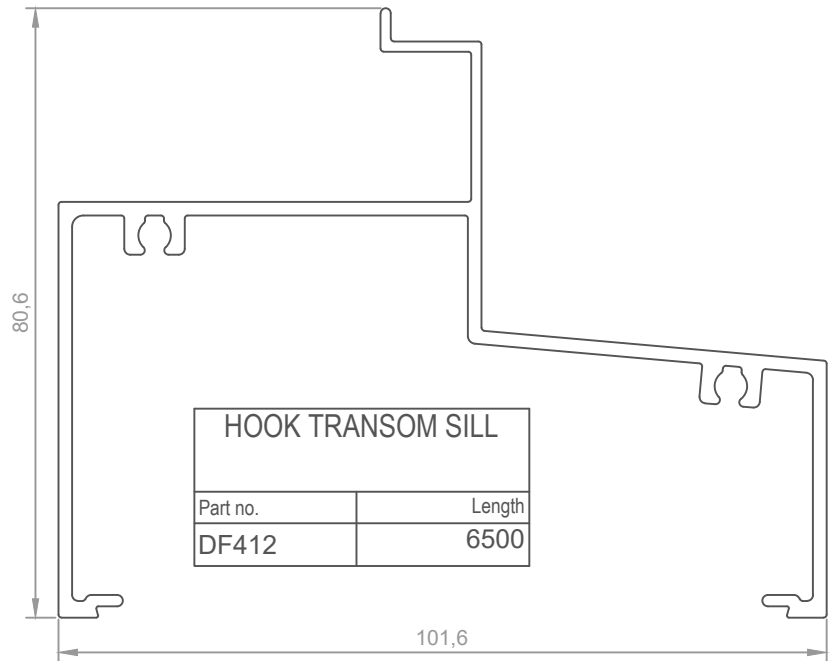


50MM POCKET ADAPTER	
Part no.	Length
DF453	6500

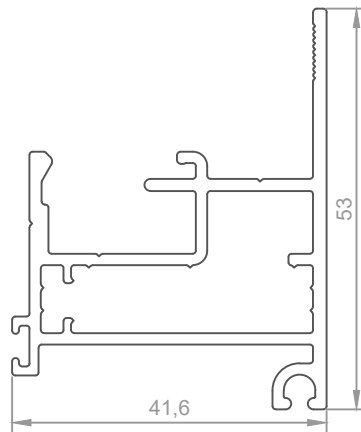
10055-DG/SG Inline Sash



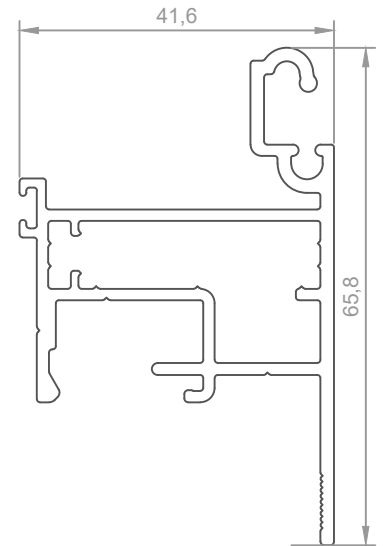
HOOK TRANSOM HEAD	
Part no.	Length
DF411	6500



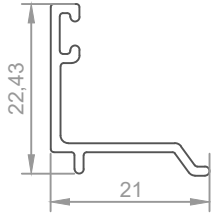
HOOK SASH STOP	
Part no.	Length
DF413	6500



INLINE SASH RAIL	
Part no.	Length
FDG520	6500

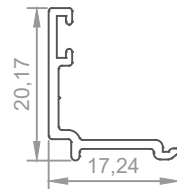
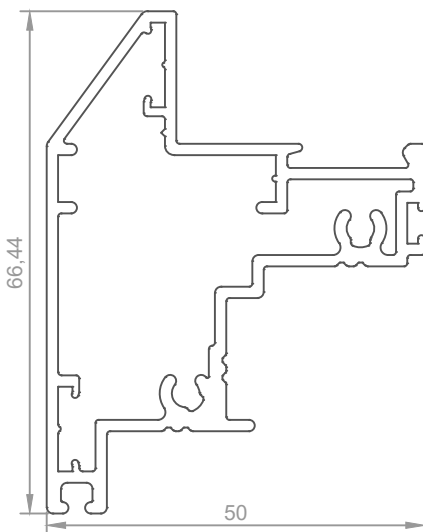
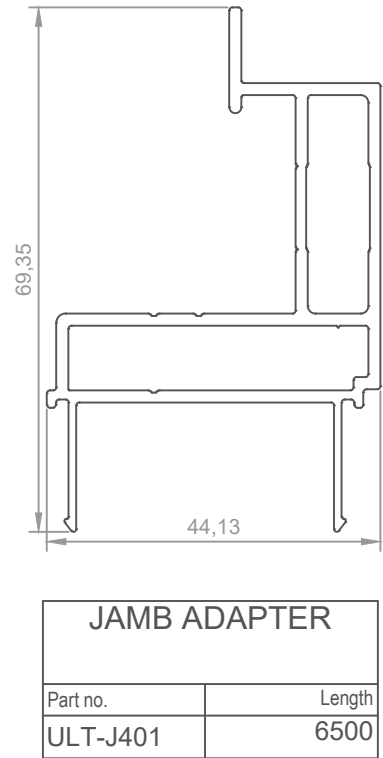
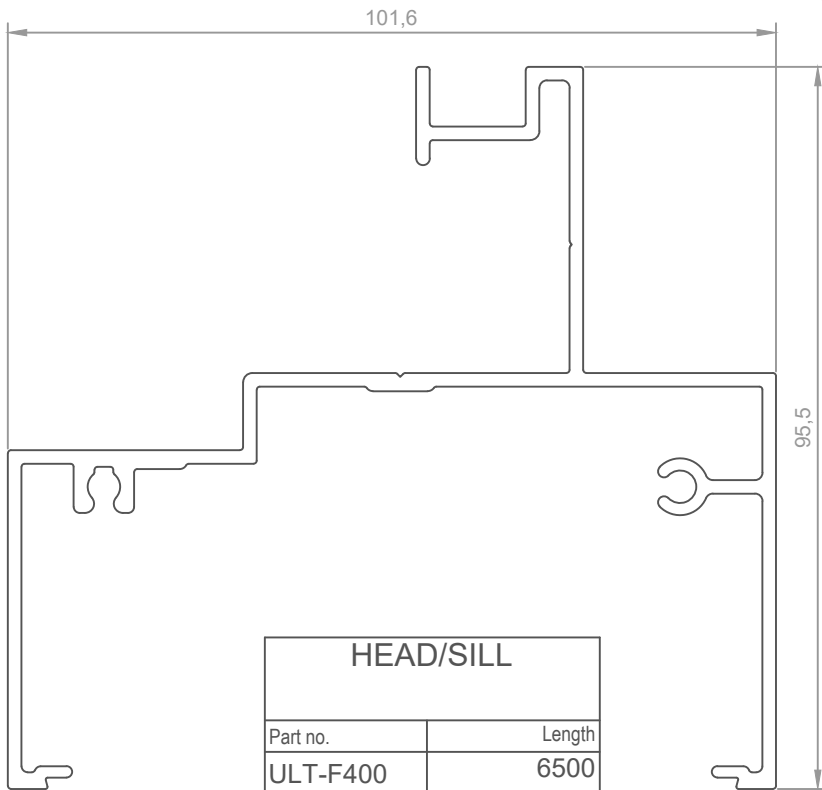


INLINE HOOK SASH	
Part no.	Length
FDG522	6500

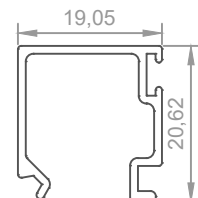


SASH BEAD	
Part no.	Length
CA703	6500

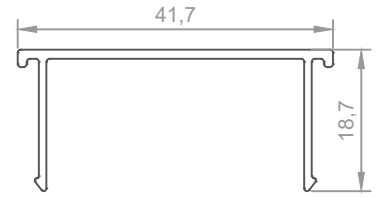
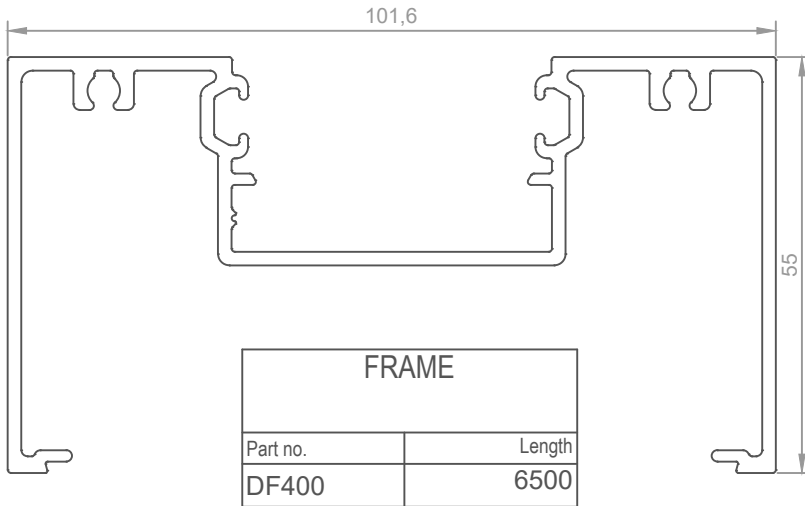
Ultramax Plus Awning/Casement



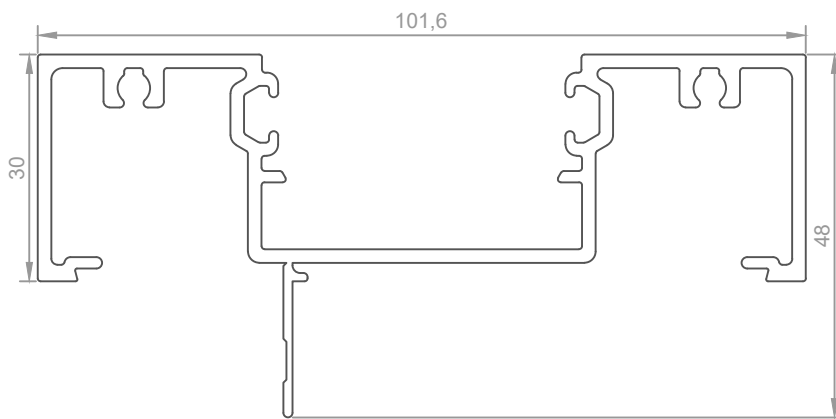
DOUBLE GLAZED BEAD	
Part no.	Length
ULT-B30	6500



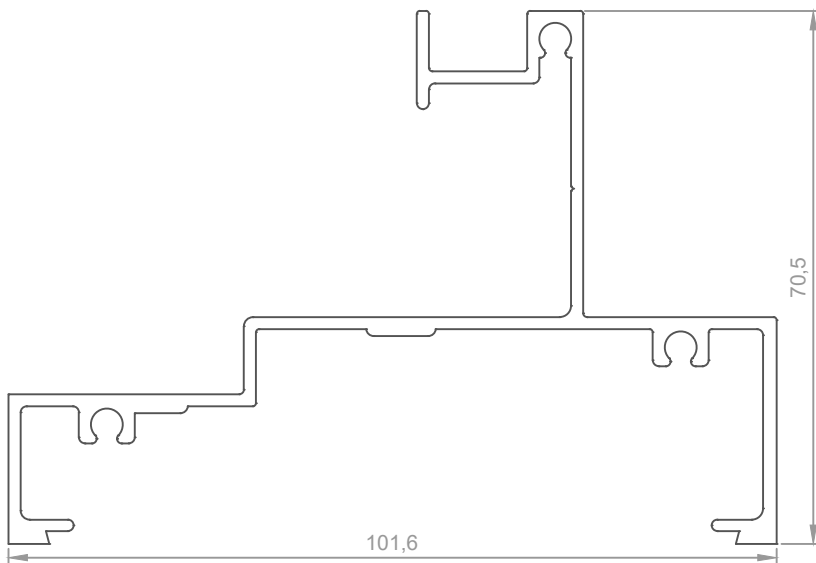
SINGLE GLAZED BEAD	
Part no.	Length
ULT-B14	6500



DOUBLE GLAZED POCKET FILLER	
Part no.	Length
DF605	6500

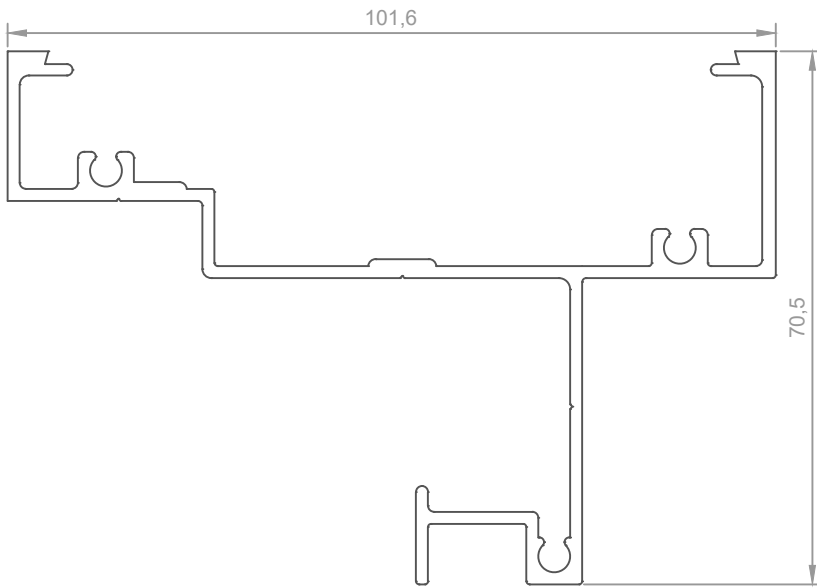


NARROW FRAME	
Part no.	Length
DF414	6500

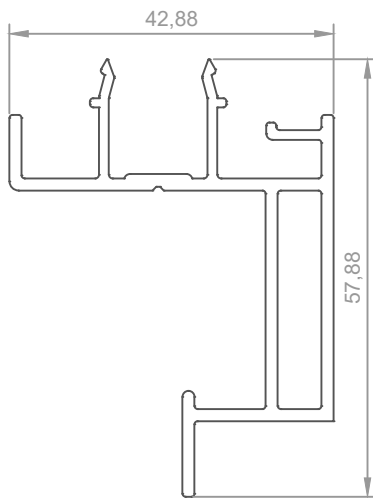


NARROW HEAD/SILL	
Part no.	Length
ULT-F31	6500

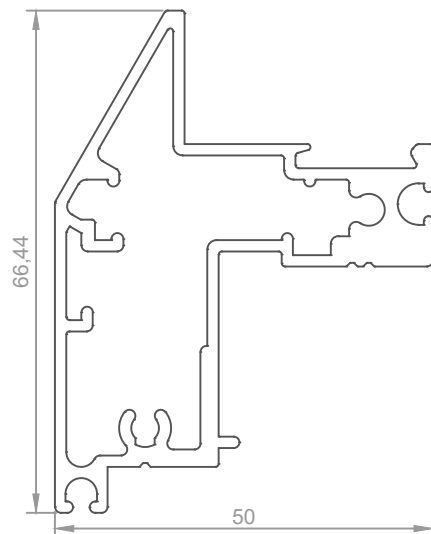
Ultramax Casement



CASEMENT HEAD/SILL	
Part no.	Length
ULT-F26	6500



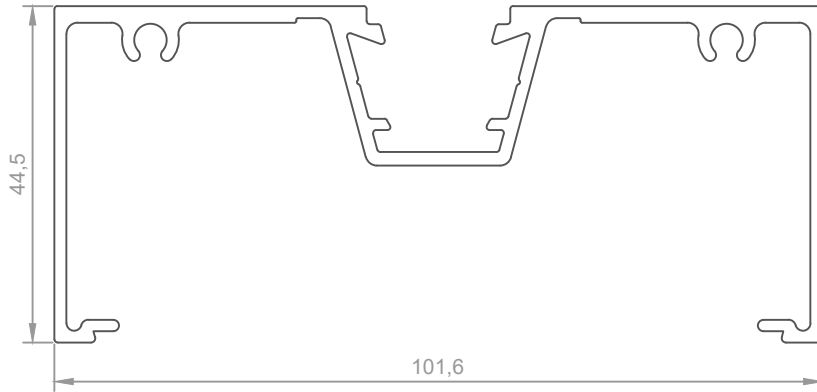
JAMB ADAPTER	
Part no.	Length
ULT-J16	6500



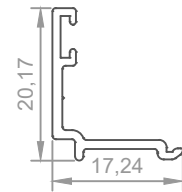
CASEMENT SASH	
Part no.	Length
ULT-S62	6500

IMPORTANT NOTICE

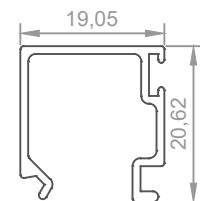
THIS DRAWING AND THE DESIGN SHOWN IS THE INTELLECTUAL PROPERTY OF
CONCEPT ARCHITECTURAL SYSTEMS AND IS PROTECTED BY COPYRIGHT. THIS DRAWING MAY NOT BE
COPIED OR DISTRIBUTED WITHOUT THE WRITTEN CONSENT OF CONCEPT ARCHITECTURAL SYSTEMS ©



FRAME	
Part no.	Length
CA417	6500



DOUBLE GLAZED BEAD	
Part no.	Length
ULT-B30	6500

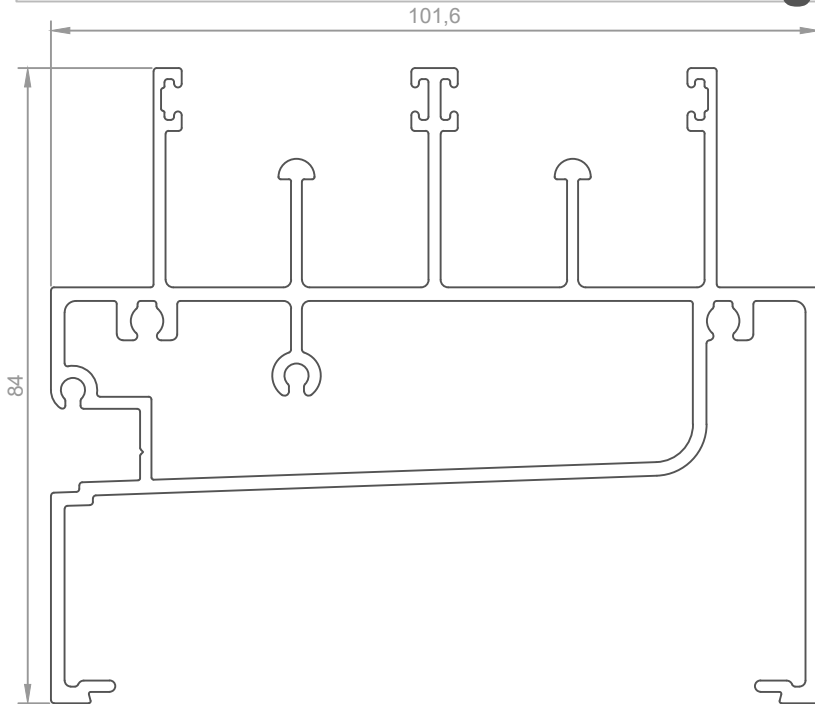


SINGLE GLAZED BEAD	
Part no.	Length
ULT-B14	6500

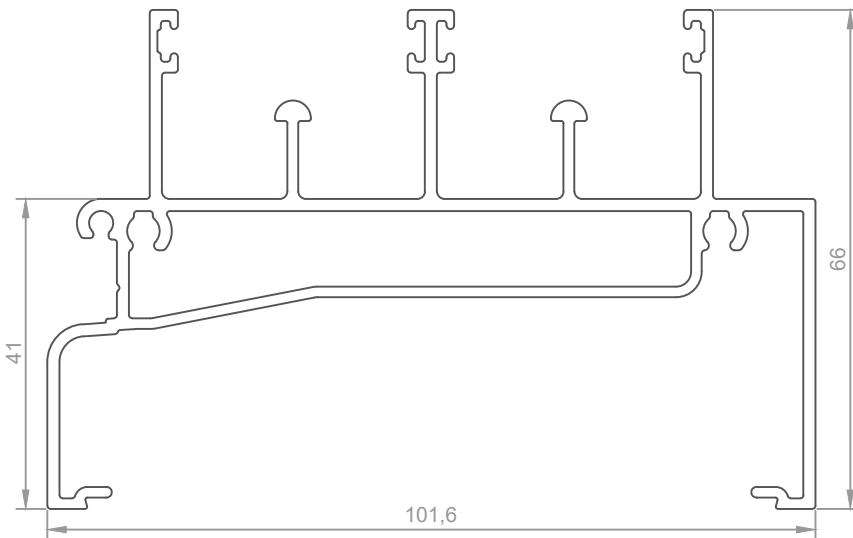
IMPORTANT NOTICE

THIS DRAWING AND THE DESIGN SHOWN IS THE INTELLECTUAL PROPERTY OF
CONCEPT ARCHITECTURAL SYSTEMS AND IS PROTECTED BY COPYRIGHT. THIS DRAWING MAY NOT BE
COPIED OR DISTRIBUTED WITHOUT THE WRITTEN CONSENT OF CONCEPT ARCHITECTURAL SYSTEMS ©

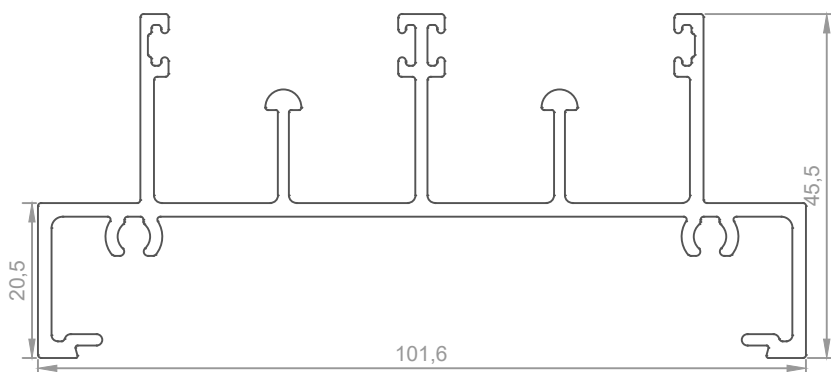
Ultramax Sliding Window



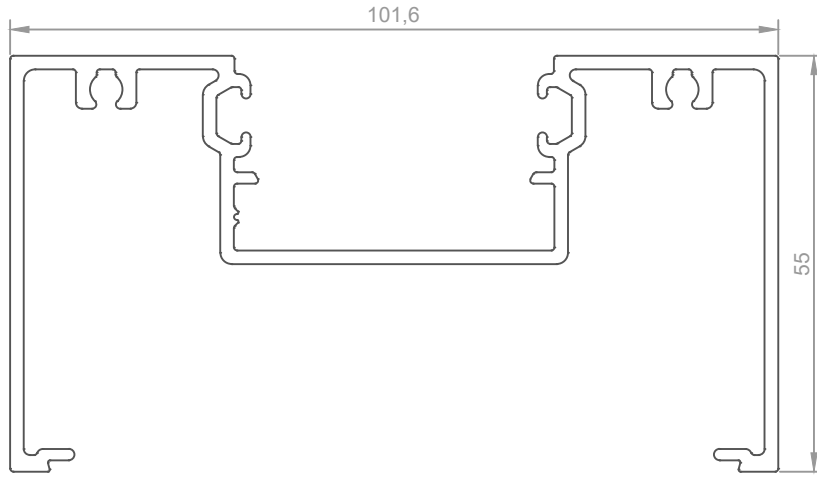
SILL	
Part no.	Length
DF409	6500



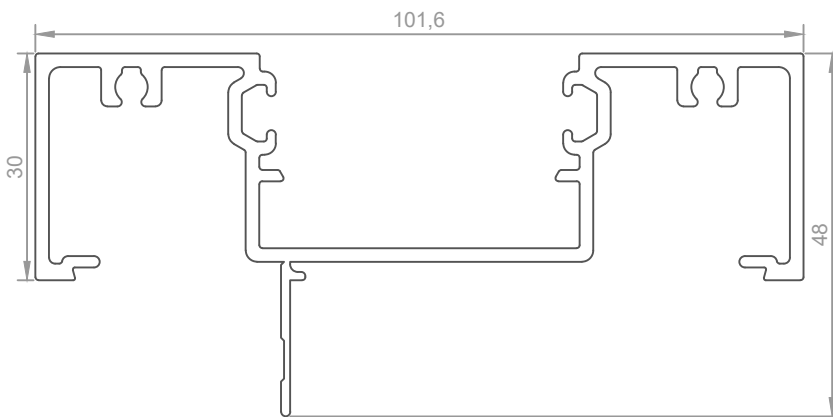
SILL	
Part no.	Length
DF416	6500



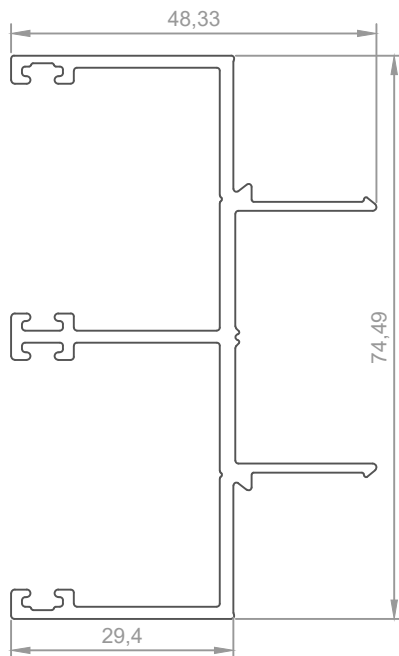
NARROW SILL	
Part no.	Length
DF415	6500



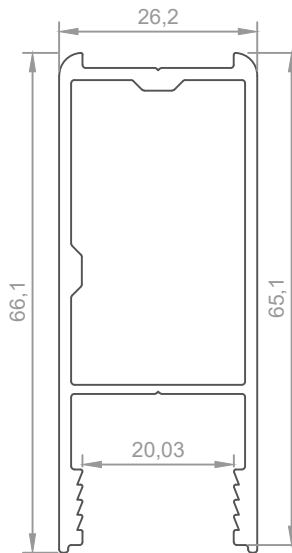
FRAME	
Part no.	Length
DF400	6500



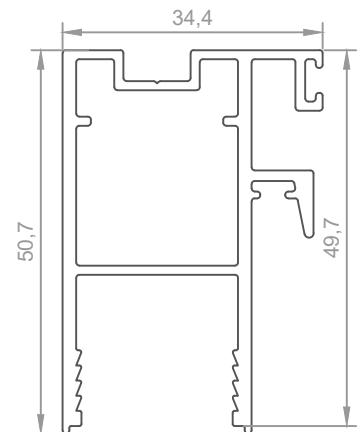
NARROW FRAME	
Part no.	Length
DF414	6500



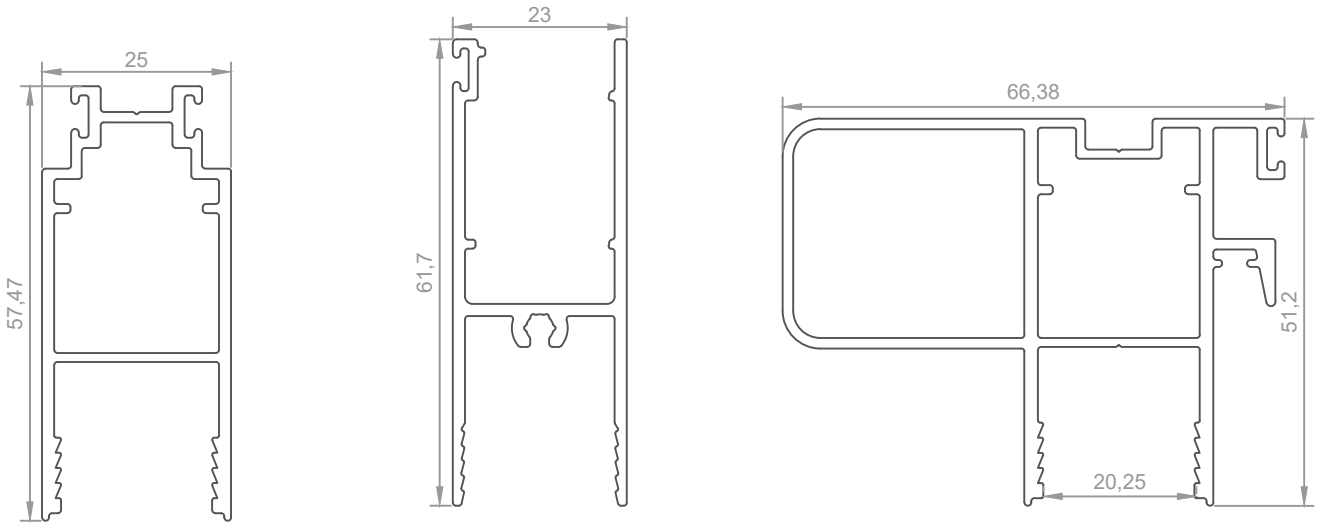
JAMB/HEAD ADAPTER	
Part no.	Length
DF410	6500



DOUBLE GLAZED LOCK STILE	
Part no.	Length
DGS98	6500



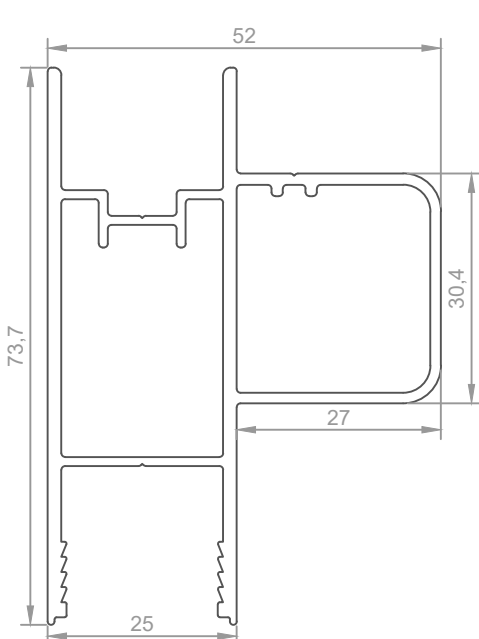
DOUBLE GLAZED INTERLOCK	
Part no.	Length
DGS97	4900 / 6500



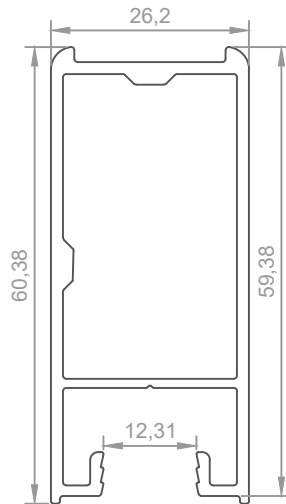
DOUBLE GLAZED LOCK STILE	
Part no.	Length
DGS96	4900 / 6500

DOUBLE GLAZED RAIL	
Part no.	Length
DGS81	6500

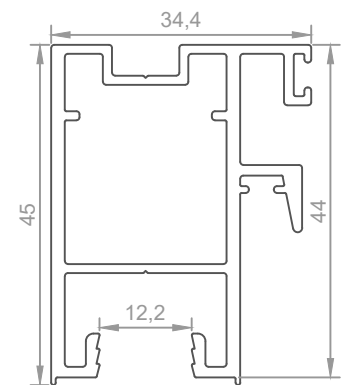
DOUBLE GLAZED HEAVY DUTY INTERLOCK	
Part no.	Length
DGS80	4900 / 6500



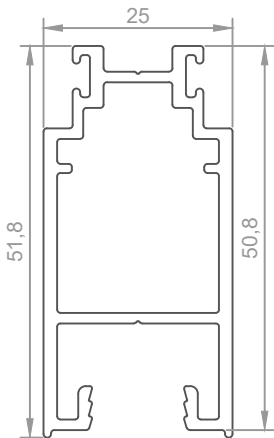
DOUBLE GLAZED 4 PANEL ADAPTER	
Part no.	Length
DGS81	6500



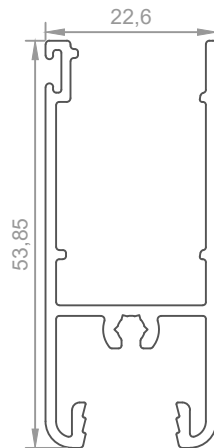
SINGLE GLAZED LOCK STILE	
Part no.	Length
DGS96	6500



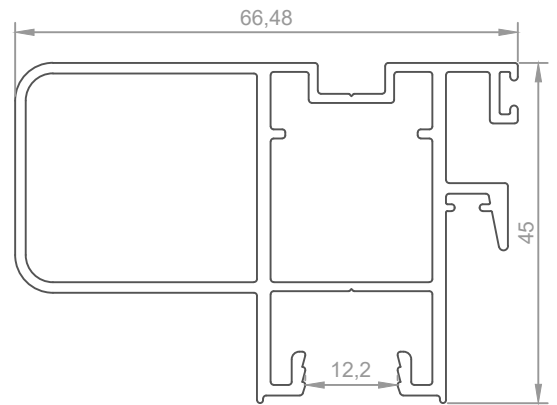
SINGLE GLAZED INTERLOCK	
Part no.	Length
CSD6	4900 / 6500



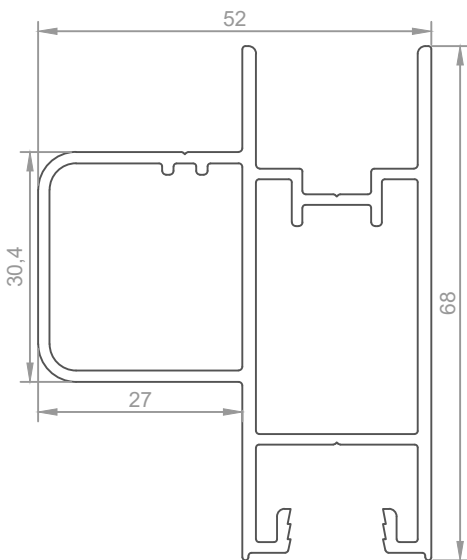
SINGLE GLAZED LOCK STILE	
Part no.	Length
CSD5	4900 / 6500



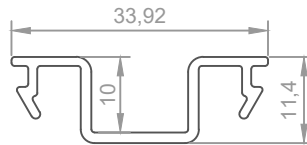
SINGLE GLAZED RAIL	
Part no.	Length
CSD4	6500



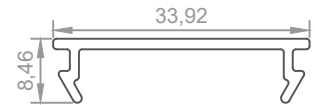
SINGLE GLAZED HEAVY DUTY INTERLOCK	
Part no.	Length
STK4	4900 / 6500



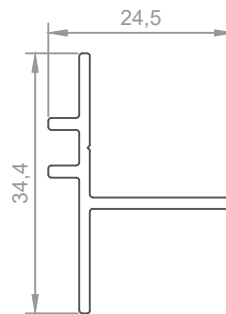
SINGLE GLAZED 4 PANEL ADAPTER	
Part no.	Length
STK7	6500



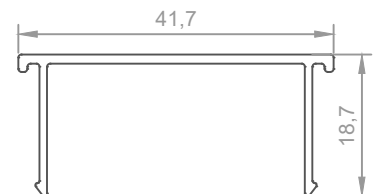
FLYSCREEN CHANNEL ADAPTER	
Part no.	Length
DGS88	6000



TRACK FLAT FILLER	
Part no.	Length
DGS87	6000

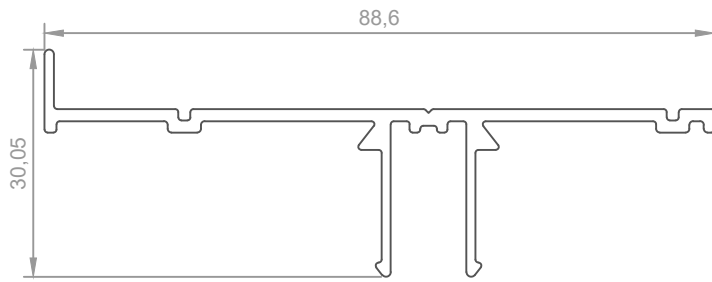


PLANT-ON INTERLOCK FLYSCREEN ADAPTER	
Part no.	Length
DGS89	6000

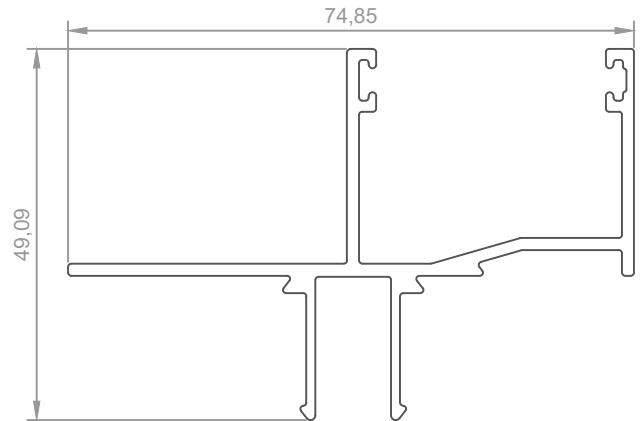


JAMB POCKET FILLER	
Part no.	Length
DF605	6500

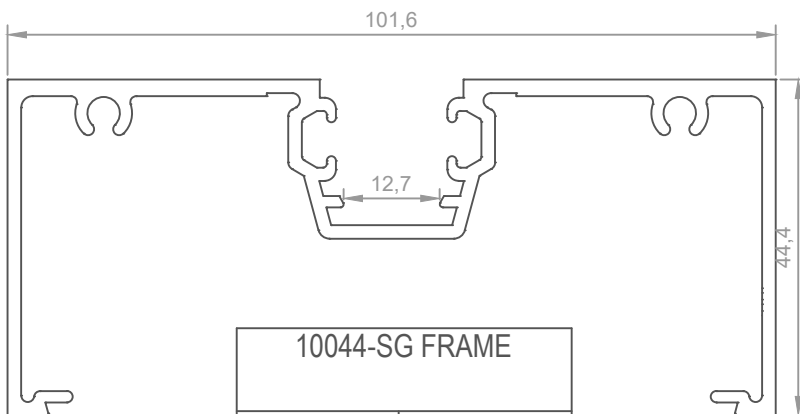
Ultramax Double Hung Window



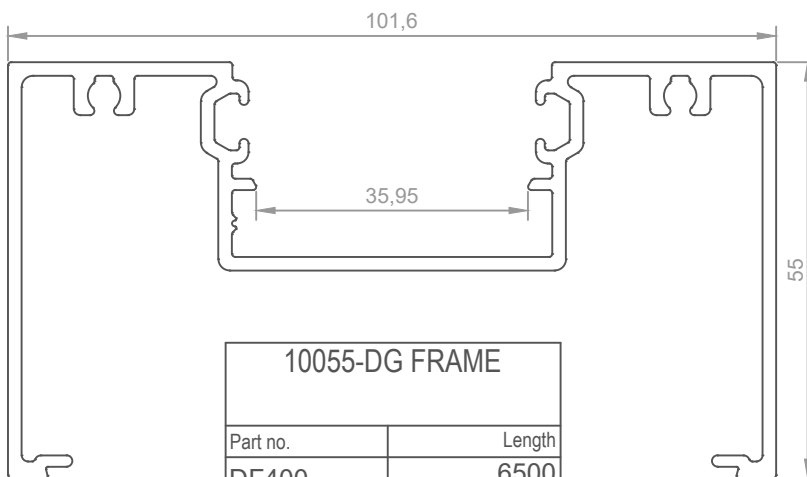
S/G JAMB ADAPTER	
Part no.	Length
DHW110	6500



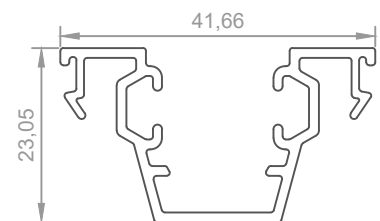
S/G HEAD/SILL	
Part no.	Length
DHW111	6500



10044-SG FRAME	
Part no.	Length
CA460	6500



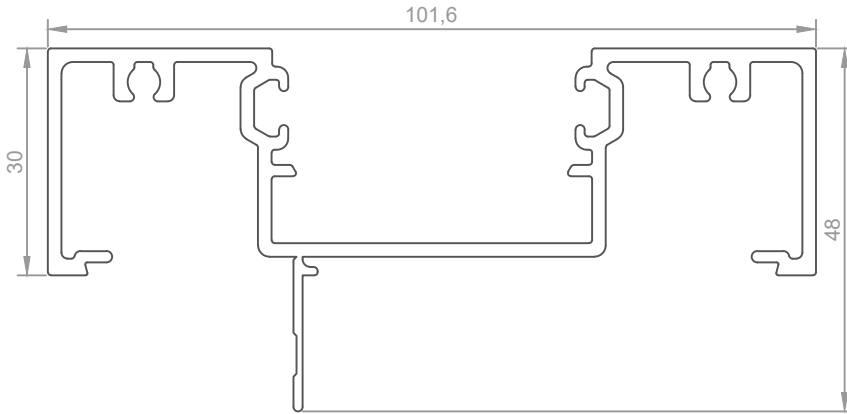
10055-DG FRAME	
Part no.	Length
DF400	6500



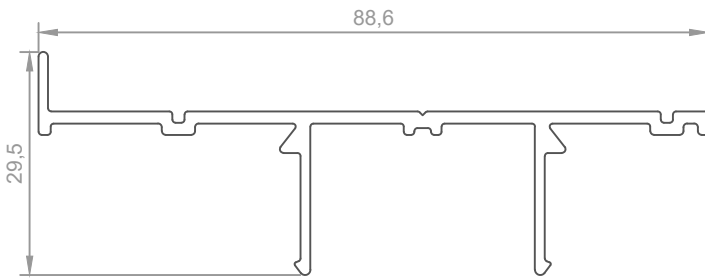
SINGLE GLAZED POCKET INSERT	
Part no.	Length
DF606	6500

IMPORTANT NOTICE

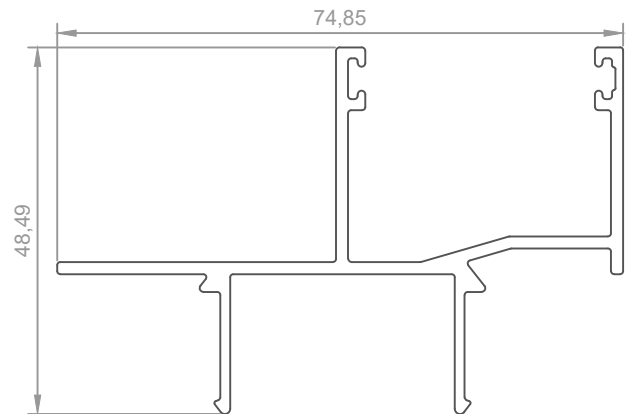
THIS DRAWING AND THE DESIGN SHOWN IS THE INTELLECTUAL PROPERTY OF CONCEPT ARCHITECTURAL SYSTEMS AND IS PROTECTED BY COPYRIGHT. THIS DRAWING MAY NOT BE COPIED OR DISTRIBUTED WITHOUT THE WRITTEN CONSENT OF CONCEPT ARCHITECTURAL SYSTEMS ©



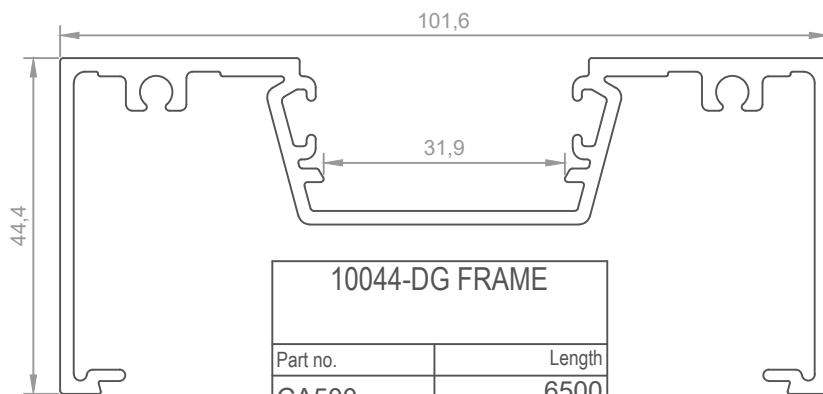
10055-DG NARROW FRAME	
Part no.	Length
DF414	6500



D/G JAMB ADAPTER	
Part no.	Length
DHW115	6500



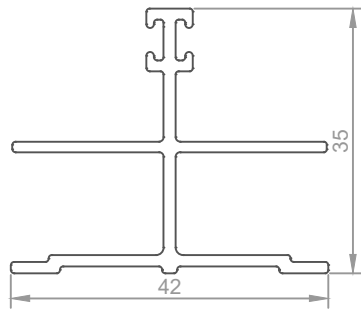
D/G JAMB ADAPTER	
Part no.	Length
DHW116	6500



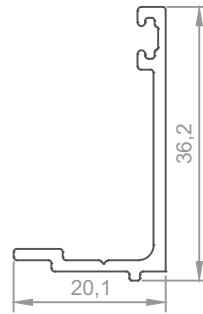
10044-DG FRAME	
Part no.	Length
CA500	6500

IMPORTANT NOTICE

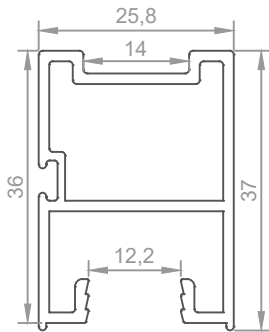
THIS DRAWING AND THE DESIGN SHOWN IS THE INTELLECTUAL PROPERTY OF CONCEPT ARCHITECTURAL SYSTEMS AND IS PROTECTED BY COPYRIGHT. THIS DRAWING MAY NOT BE COPIED OR DISTRIBUTED WITHOUT THE WRITTEN CONSENT OF CONCEPT ARCHITECTURAL SYSTEMS ©



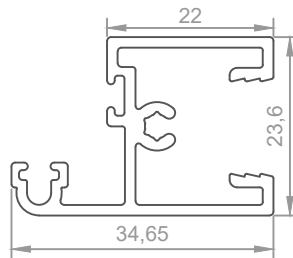
CENTRE JAMB GUIDE	
Part no.	Length
DHW92	6000



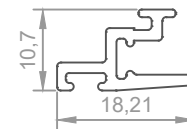
JAMB GUIDE	
Part no.	Length
DHW93	6000



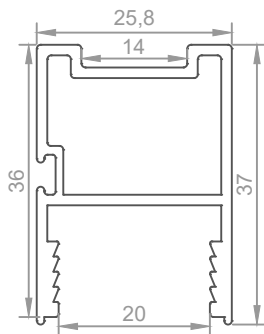
SINGLE GLAZED RAIL	
Part no.	Length
DHW100	6000



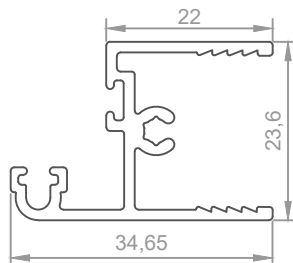
SINGLE GLAZED STILE	
Part no.	Length
DHW101	6000



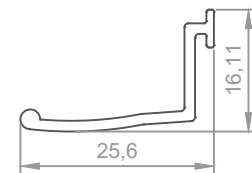
INTERLOCK	
Part no.	Length
DHW105	6000



DOUBLE GLAZED RAIL	
Part no.	Length
DHW102	6000

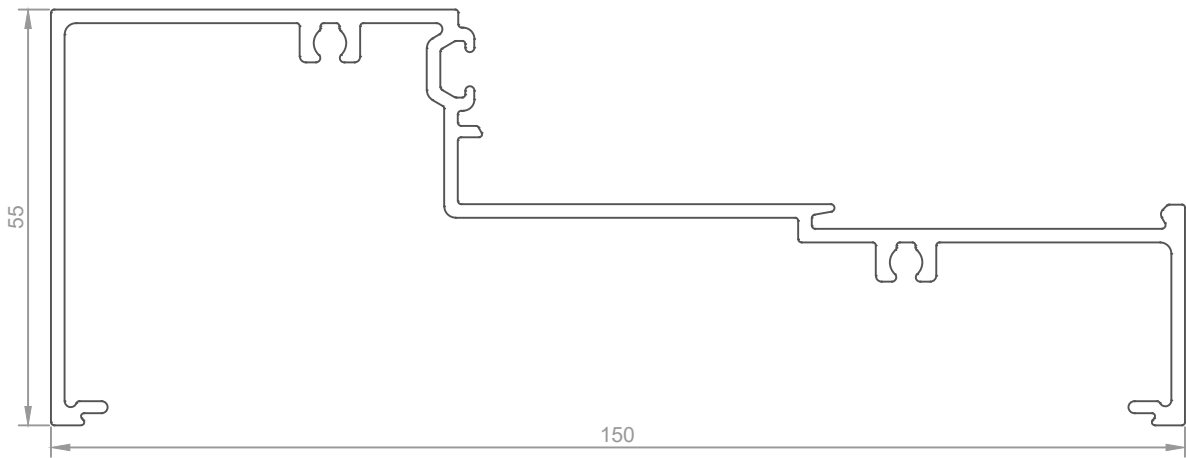
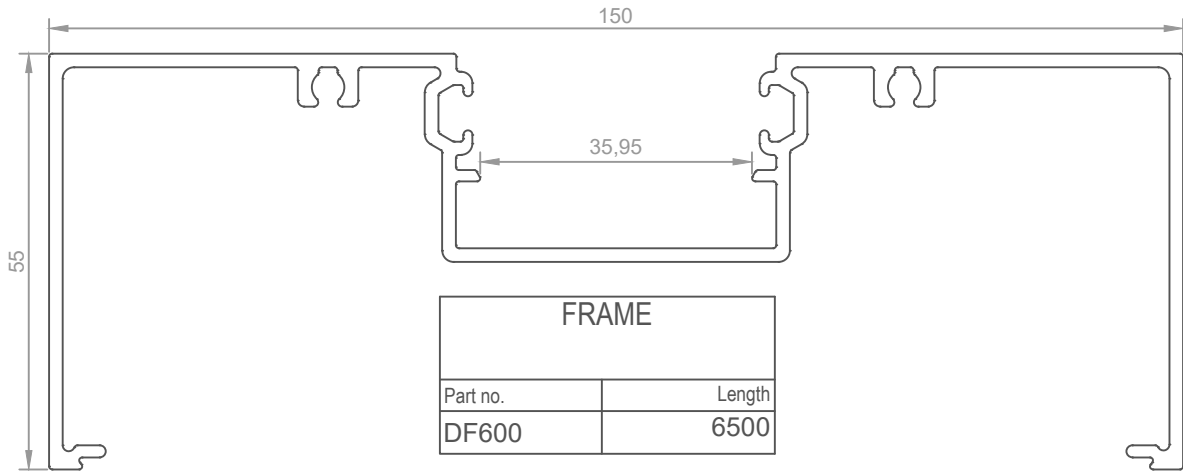


DOUBLE GLAZED STILE	
Part no.	Length
DHW103	6000

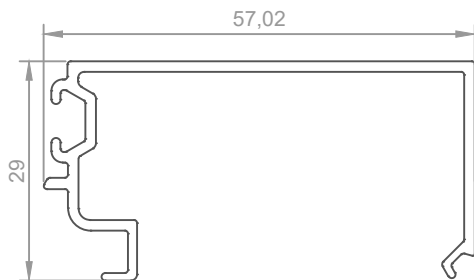


HANDLE	
Part no.	Length
DHW104	6000

15055-DG/SG Center Glazed



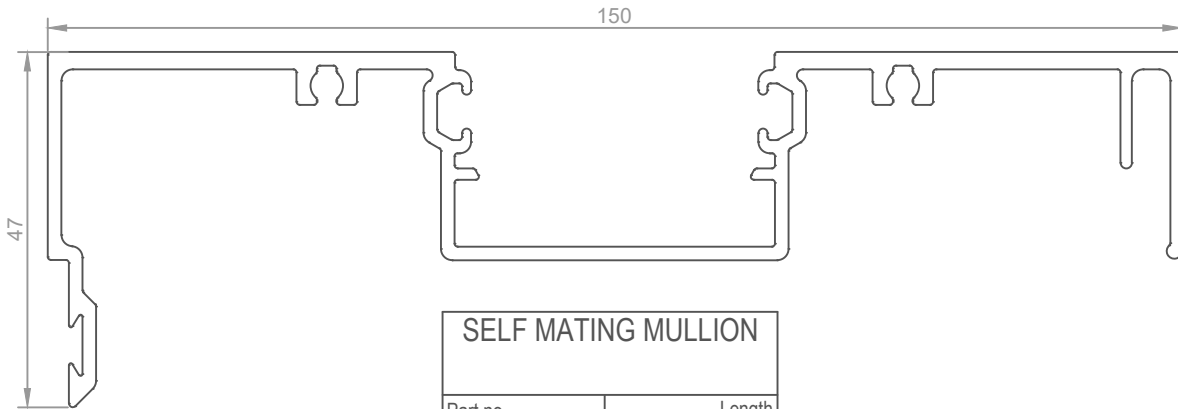
SILL	
Part no.	Length
DF601	6500



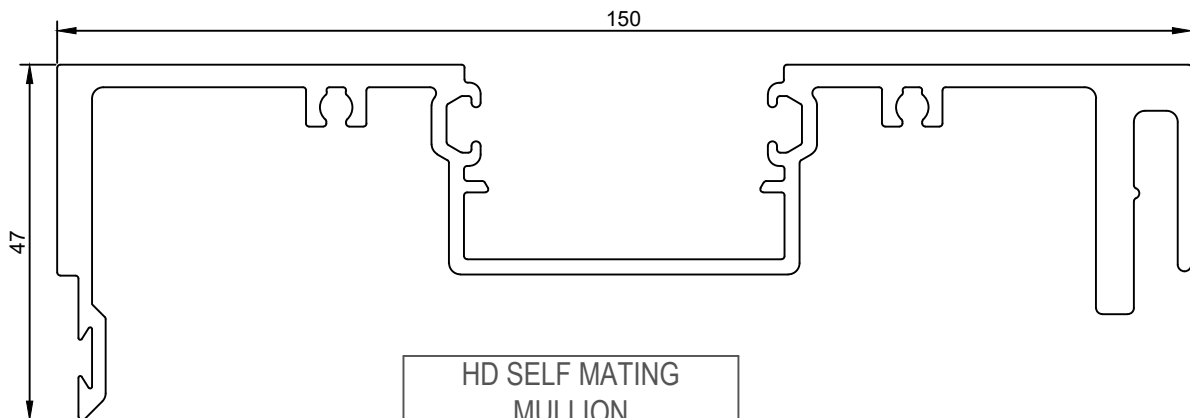
SILL BEAD	
Part no.	Length
DF602	6500



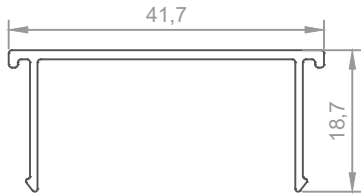
ADAPTER	
Part no.	Length
DF603	6500



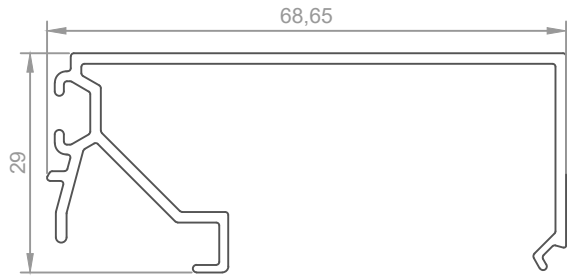
SELF MATING MULLION	
Part no.	Length
DF604	6500



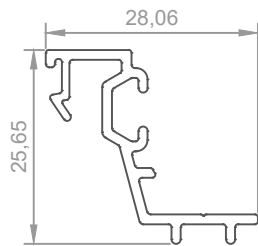
HD SELF MATING MULLION	
Part no.	Length
DF604	6500



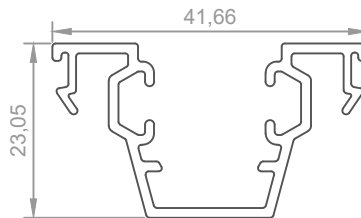
DOUBLE GLAZED POCKET FILLER	
Part no.	Length
DF605	6500



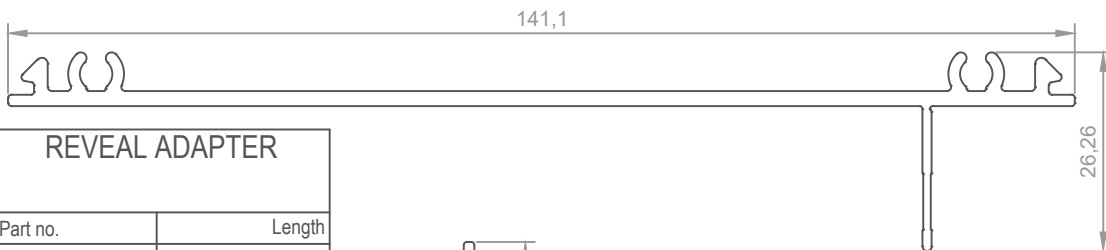
SINGLE GLAZED SASH BEAD	
Part no.	Length
DF611	6500



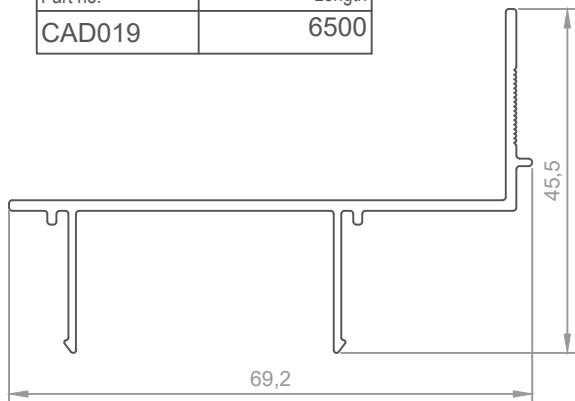
POCKET ADAPTER	
Part no.	Length
DF610	6500



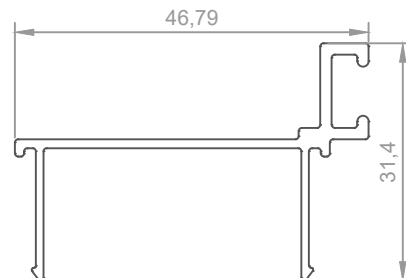
SINGLE GLAZED POCKET INSERT	
Part no.	Length
DF606	6500



REVEAL ADAPTER	
Part no.	Length
CAD019	6500

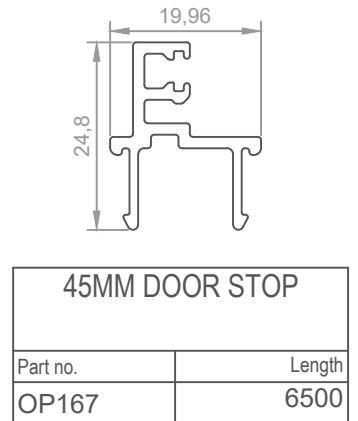
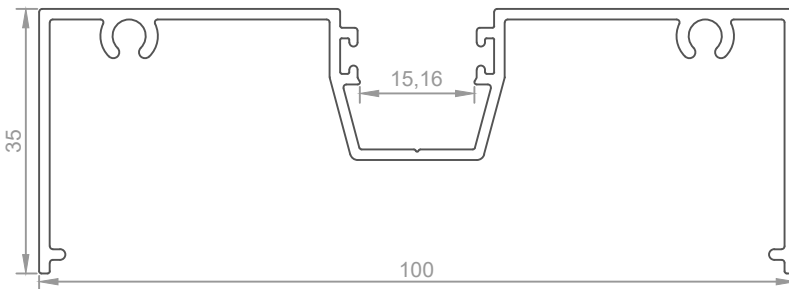
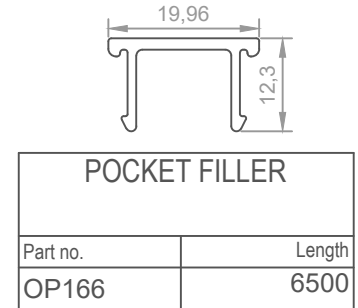
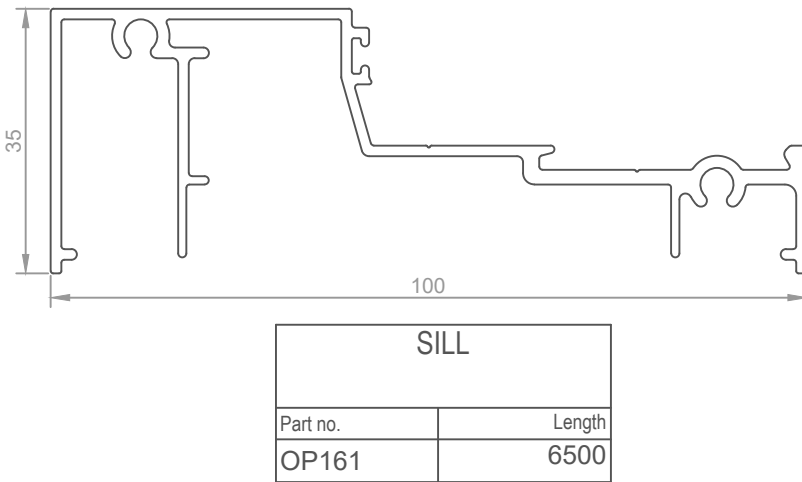
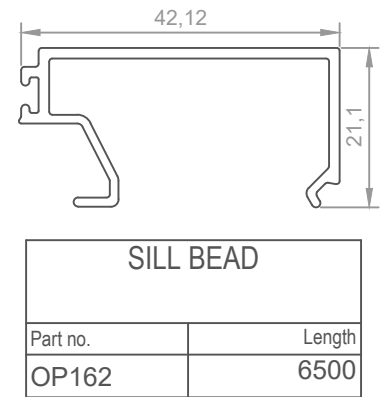
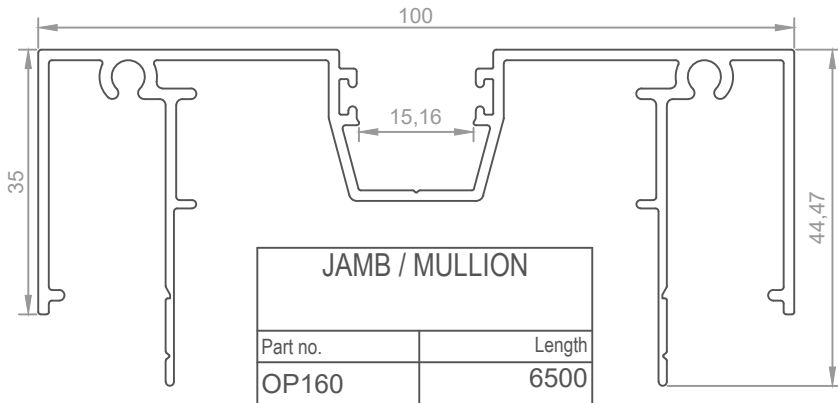


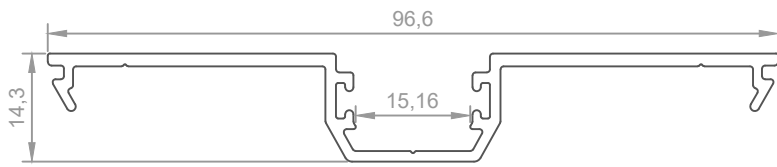
SASH STOP	
Part no.	Length
DF607	6500



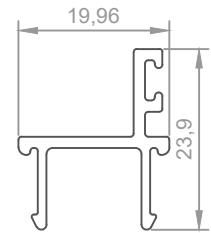
DOOR STOP	
Part no.	Length
DF608	6500

64mm Office Partition

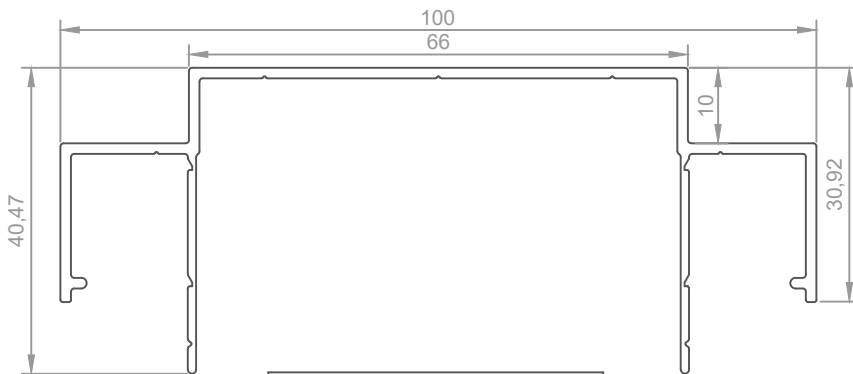




ADAPTER	
Part no.	Length
OP164	6500



38MM DOOR STOP	
Part no.	Length
OP168	6500

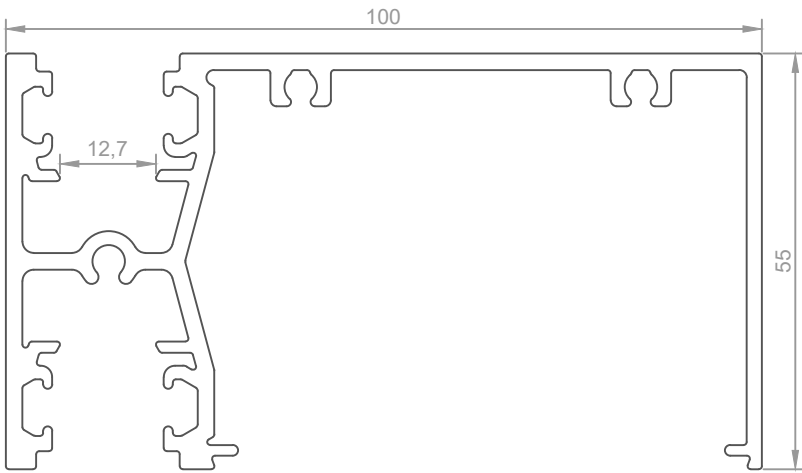


CEILING CHANNEL	
Part no.	Length
OP165	6500

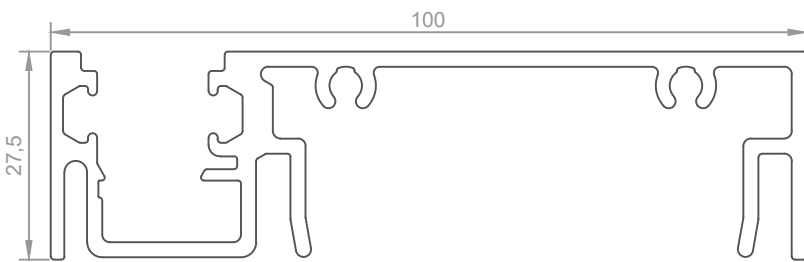
IMPORTANT NOTICE

THIS DRAWING AND THE DESIGN SHOWN IS THE INTELLECTUAL PROPERTY OF
CONCEPT ARCHITECTURAL SYSTEMS AND IS PROTECTED BY COPYRIGHT. THIS DRAWING MAY NOT BE
COPIED OR DISTRIBUTED WITHOUT THE WRITTEN CONSENT OF CONCEPT ARCHITECTURAL SYSTEMS ©

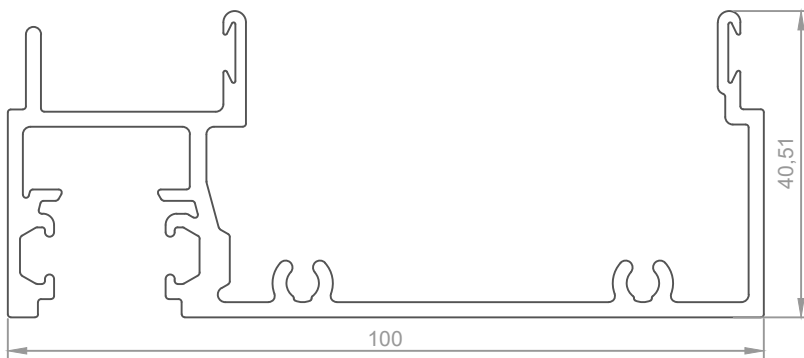
10055-SG Front Glazed



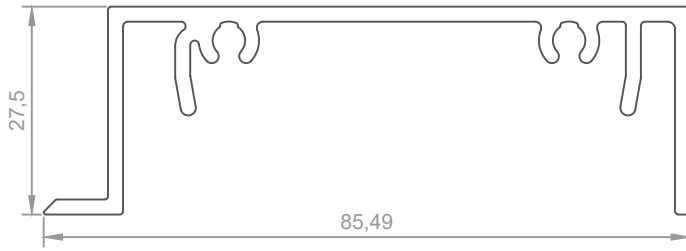
MULLION	
Part no.	Length
FG112	6500



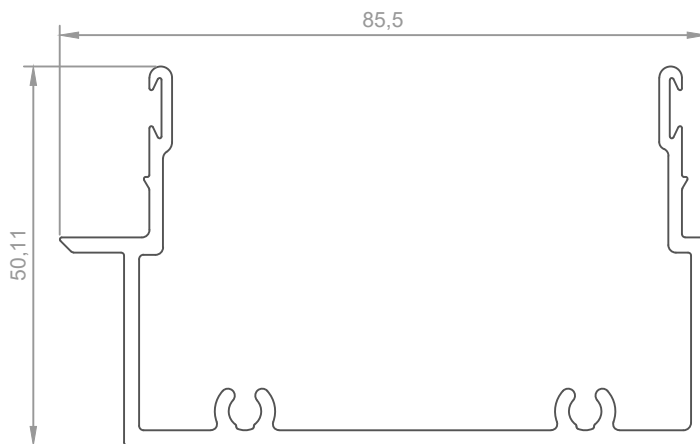
FEMALE SPLIT MULLION	
Part no.	Length
FG117	6500



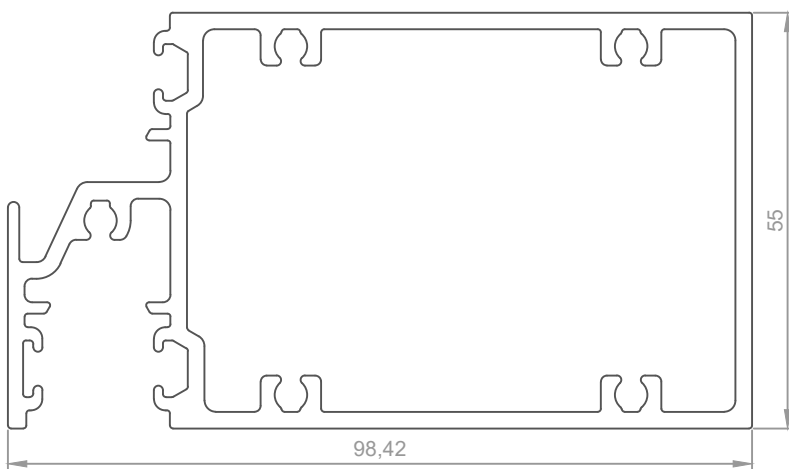
MALE SPLIT MULLION	
Part no.	Length
FG118	6500



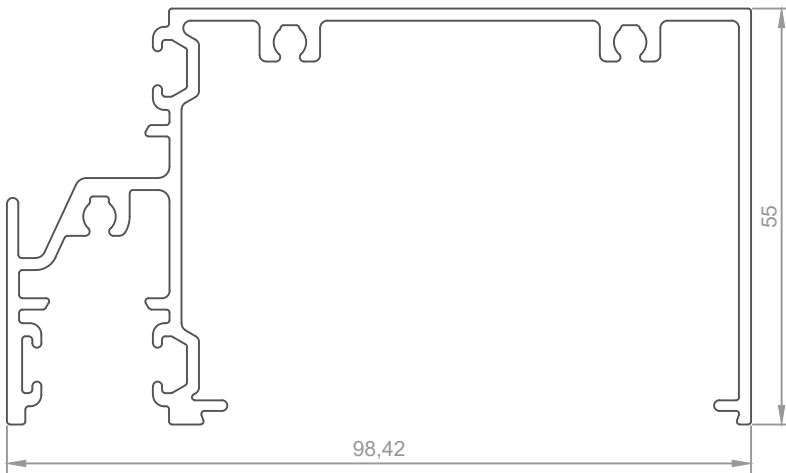
FEMALE SPLIT MULLION	
Part no.	Length
FG115	6500



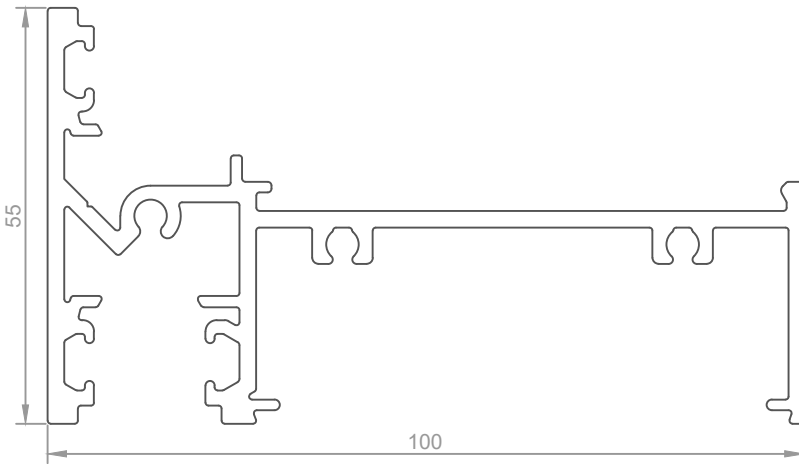
MALE SPLIT MULLION	
Part no.	Length
FG116	6500



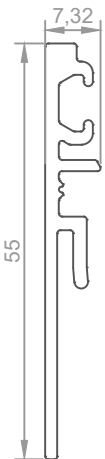
SILL TRANSOM	
Part no.	Length
FG108	6500



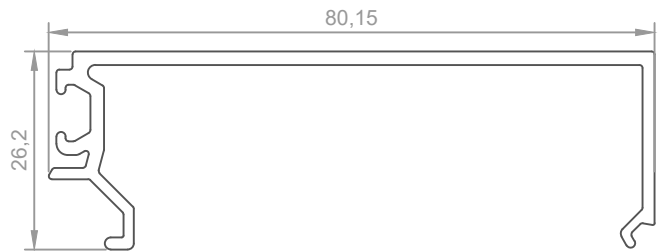
TRANSOM	
Part no.	Length
FG114	6500



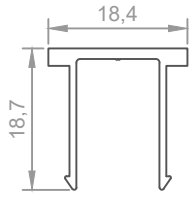
SILL	
Part no.	Length
FG106	6500



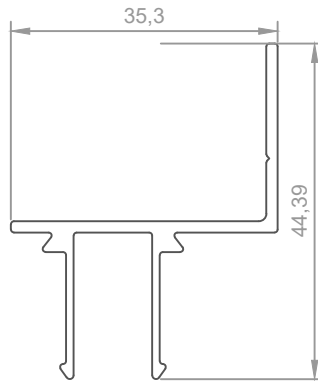
BEAD	
Part no.	Length
FDG509	6500



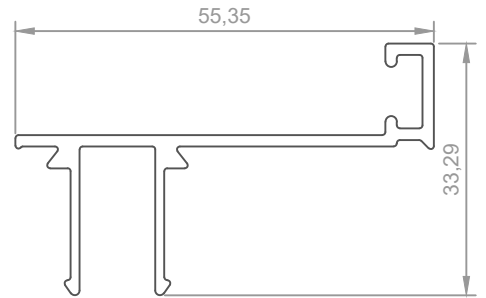
SILL BEAD	
Part no.	Length
FG107	6500



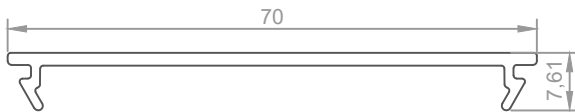
POCKET FILLER	
Part no.	Length
CA409	6500



SASH STOP	
Part no.	Length
FG110	6500

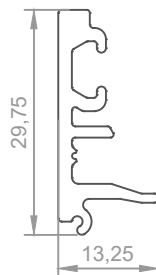
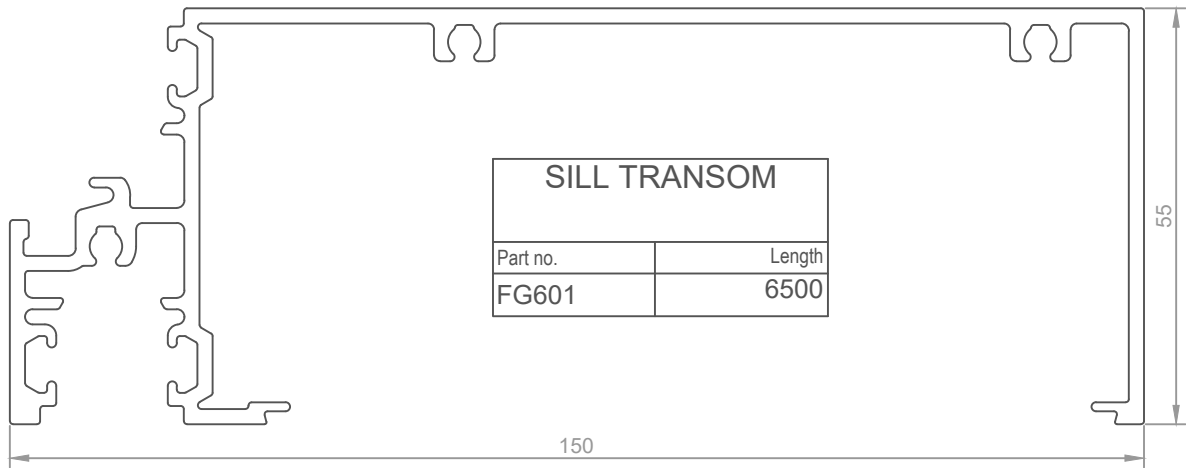
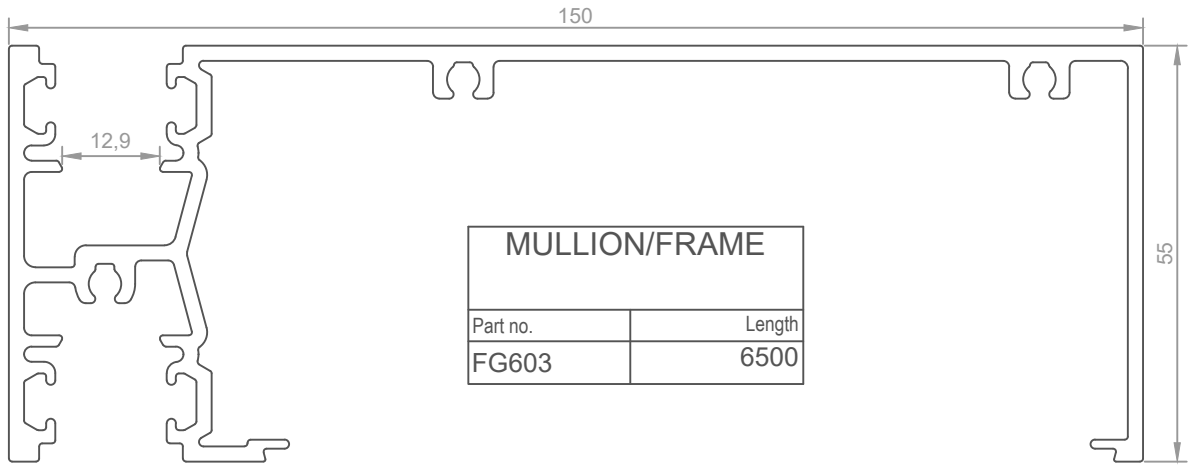


DOOR STOP	
Part no.	Length
FG119	6500

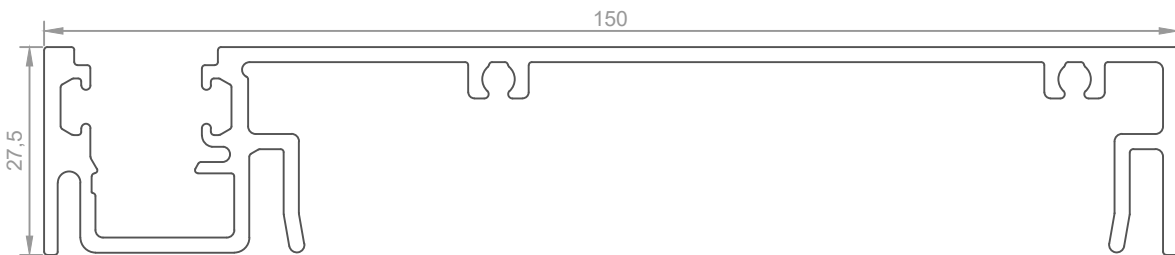
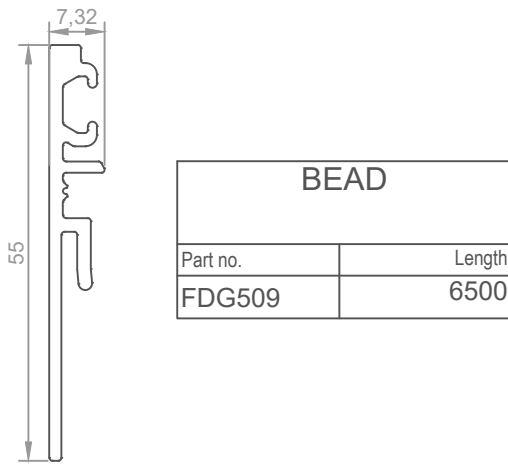
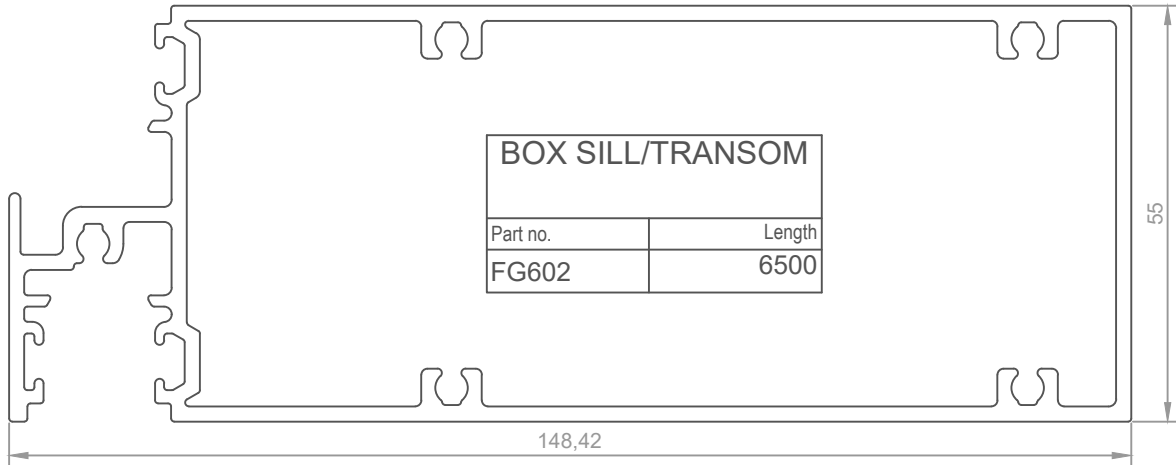


FLAT FILLER	
Part no.	Length
CA304	6500

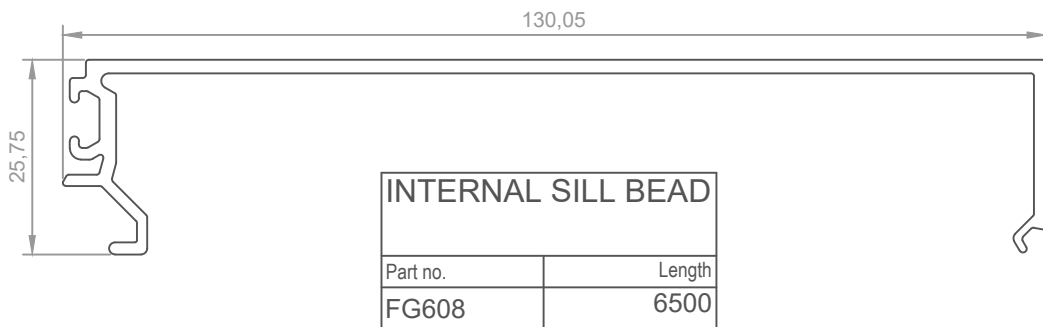
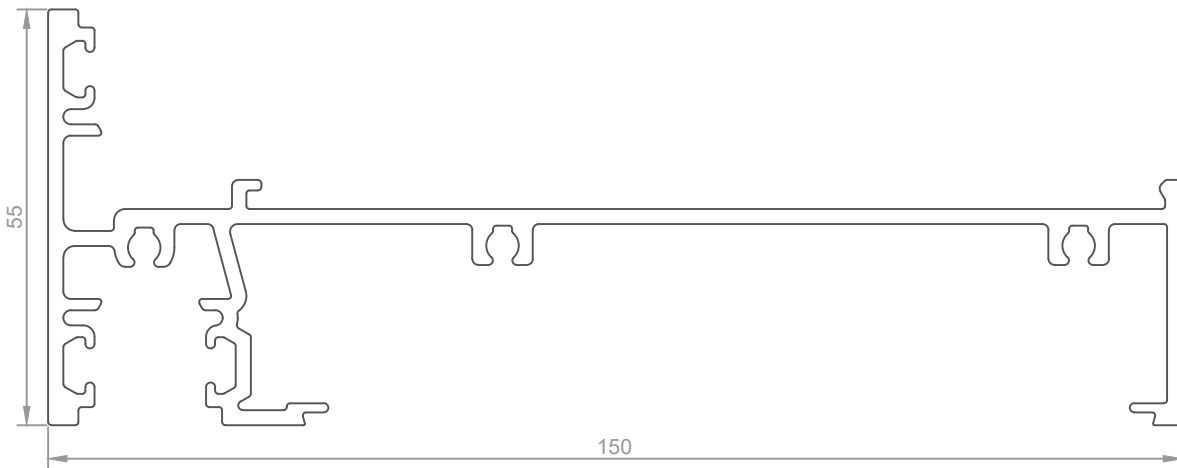
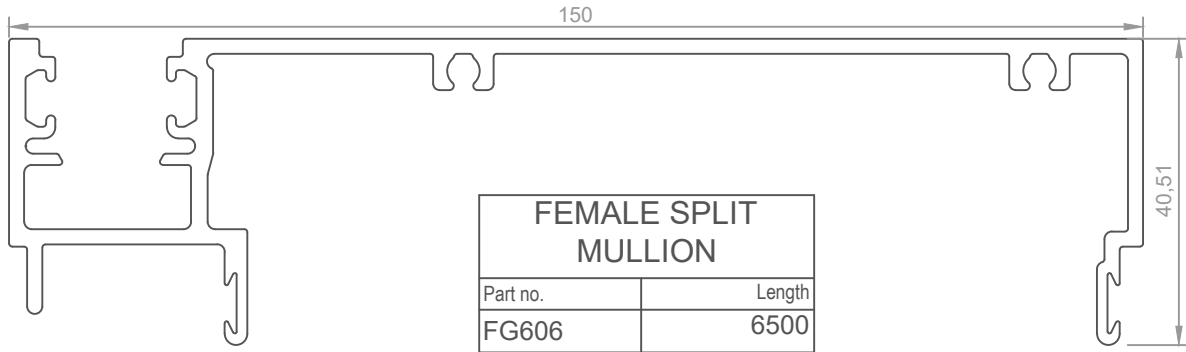
15055-SG Front Glazed

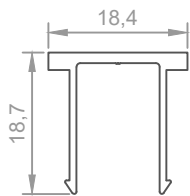
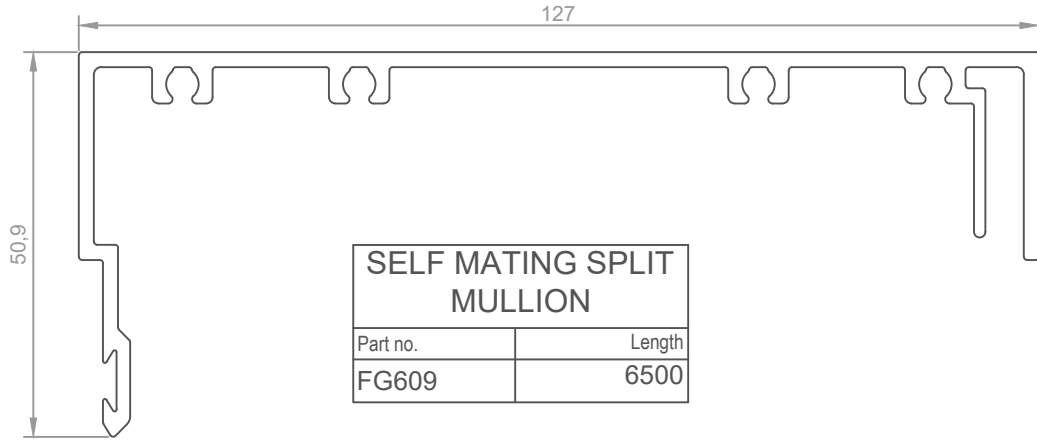


BEAD	
Part no.	Length
FDG507	6500

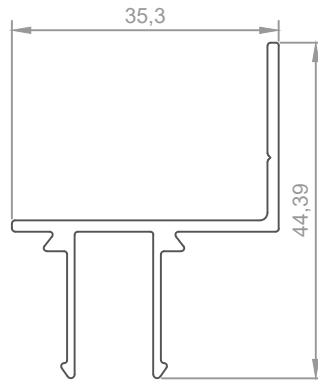


FEMALE SPLIT MULLION	
Part no.	Length
FG605	6500

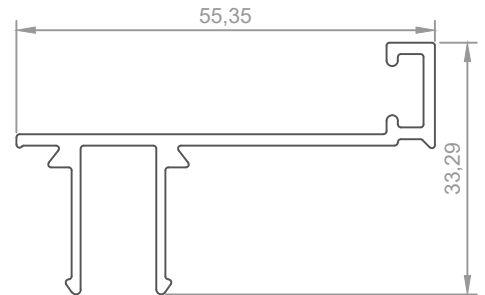




POCKET FILLER	
Part no.	Length
CA409	6500



SASH STOP	
Part no.	Length
FG110	6500

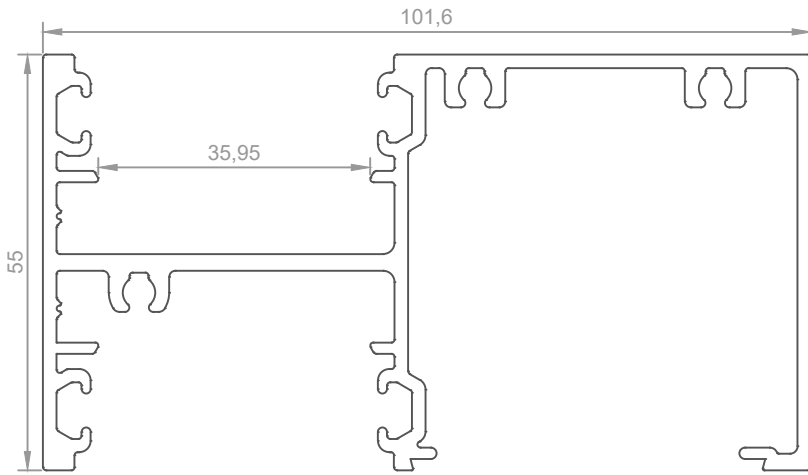


DOOR STOP	
Part no.	Length
FG119	6500

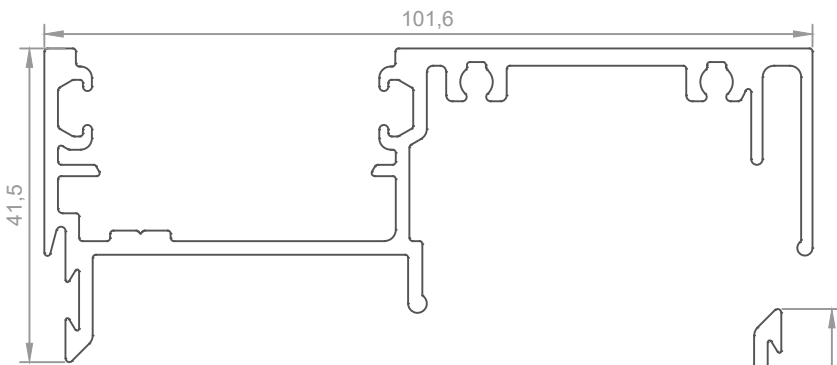


112MM FLAT FILLER	
Part no.	Length
FG604	6500

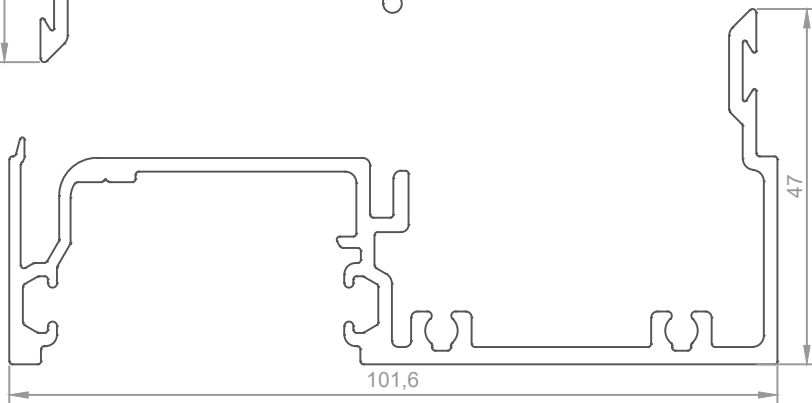
10055-DG Front Glazed



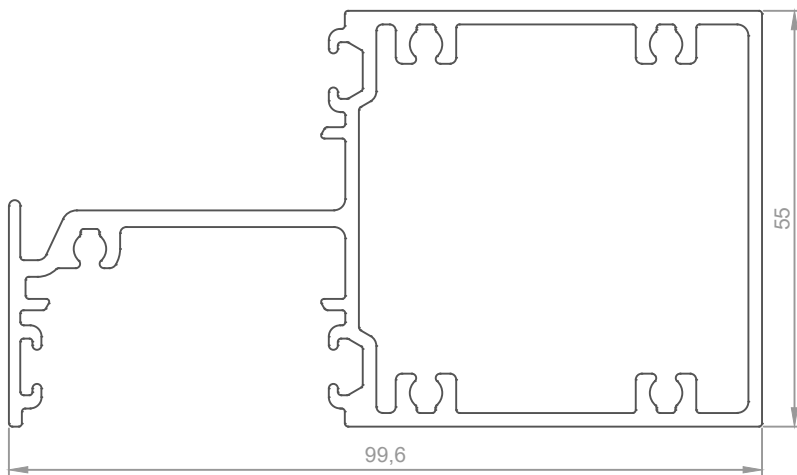
MULLION	
Part no.	Length
FDG511	6500



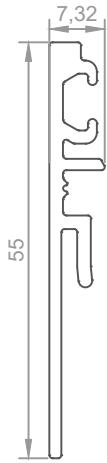
MALE EXPANSION MULLION	
Part no.	Length
FDG506	6500



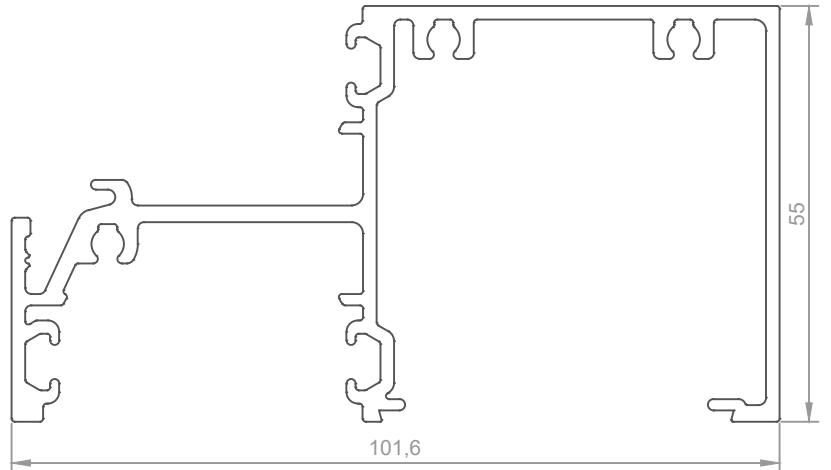
FEMALE EXPANSION MULLION	
Part no.	Length
FDG505	6500



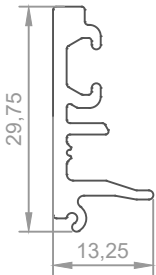
SILL TRANSOM	
Part no.	Length
FDG508	6500



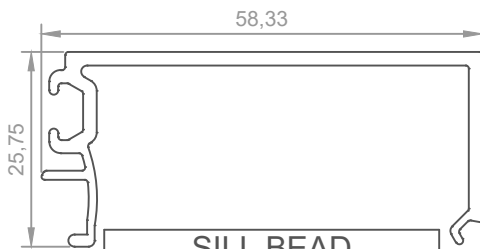
BEAD	
Part no.	Length
FDG509	6500



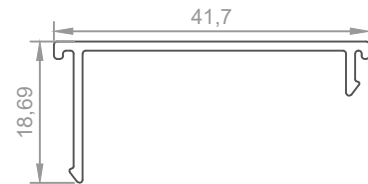
SILL TRANSOM	
Part no.	Length
FDG512	6500



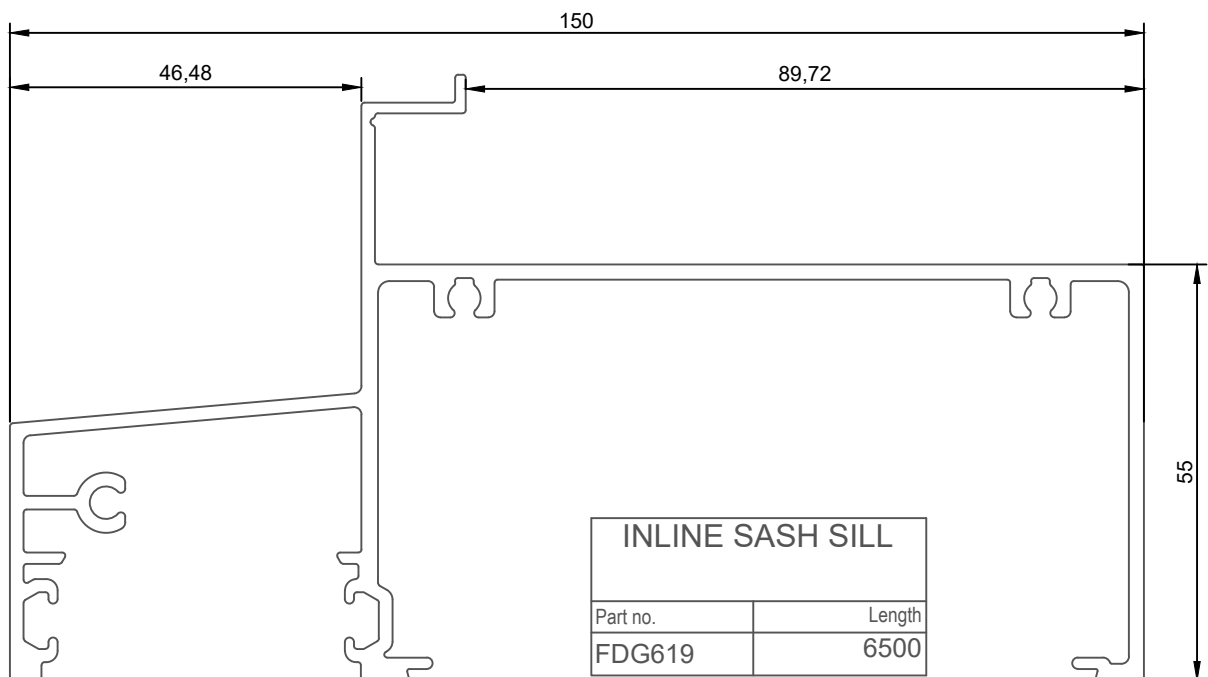
BEAD	
Part no.	Length
FDG507	6500



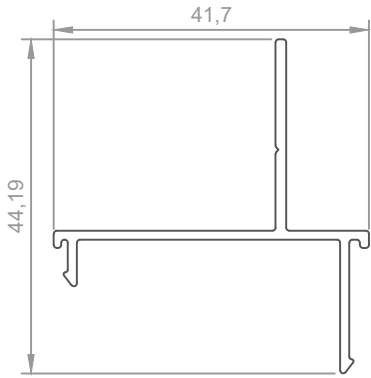
SILL BEAD	
Part no.	Length
FDG503	6500



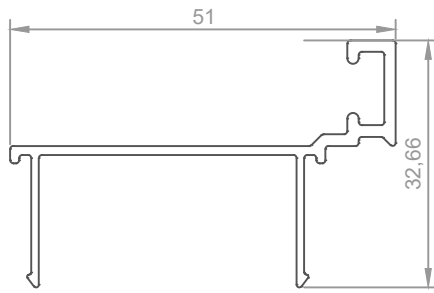
POCKET FILLER	
Part no.	Length
FDG516	6500



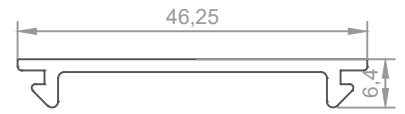
INLINE SASH SILL	
Part no.	Length
FDG619	6500



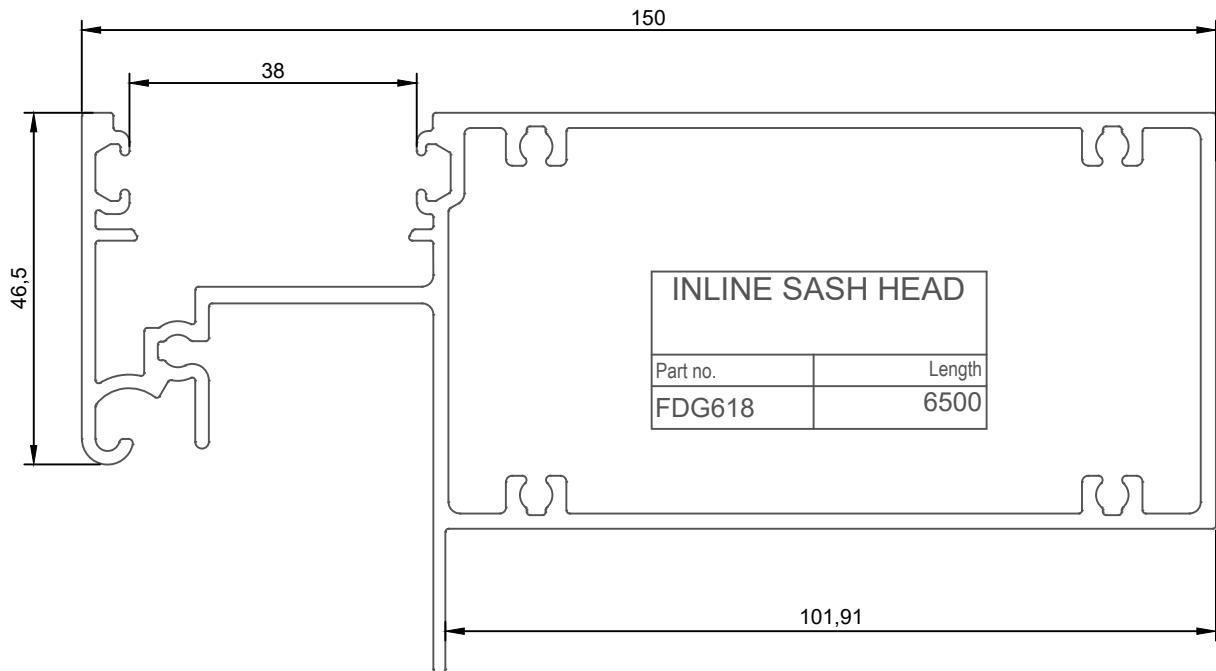
SASH STOP	
Part no.	Length
FDG504	6500



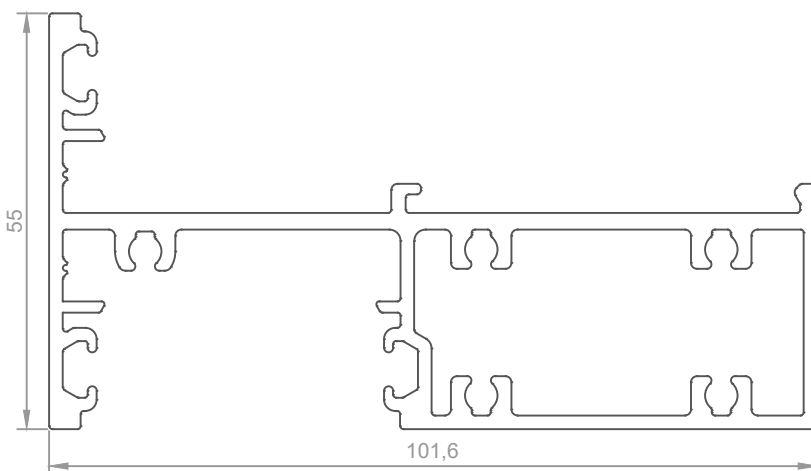
DOOR STOP	
Part no.	Length
FDG514	6500



46MM FLAT FILLER	
Part no.	Length
FDG513	6500

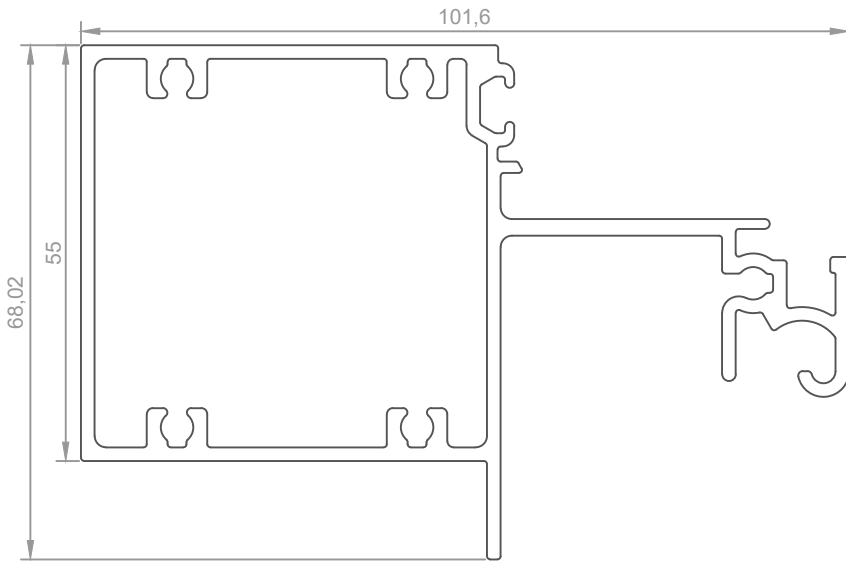


INLINE SASH HEAD	
Part no.	Length
FDG618	6500

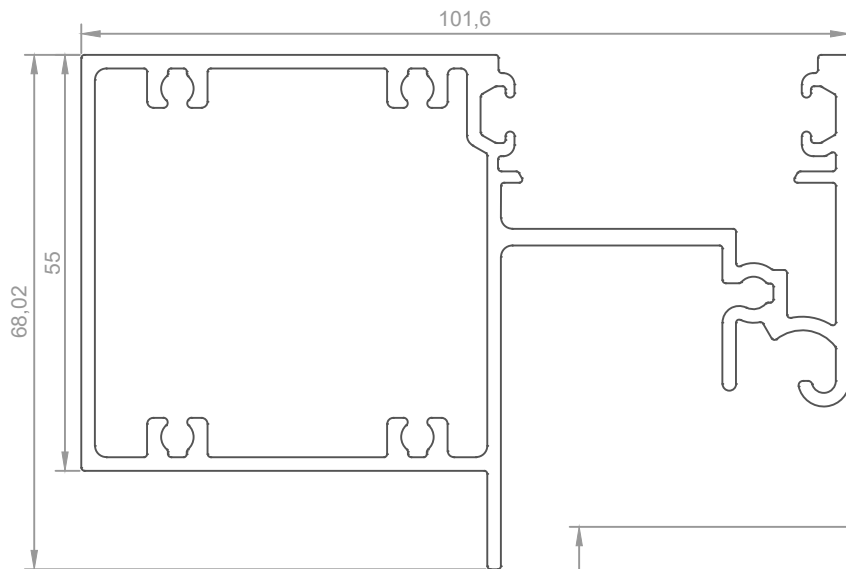


SILL TRANSOM	
Part no.	Length
FDG502	6500

10055-DG Inline Sash

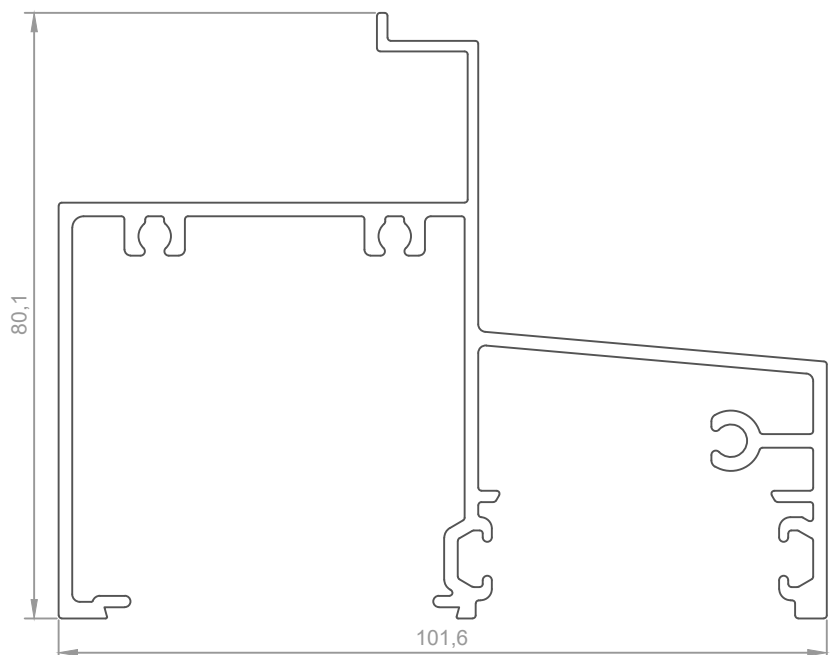


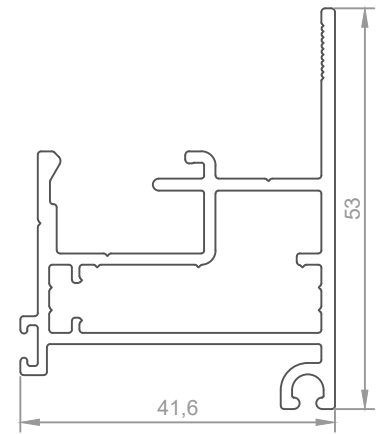
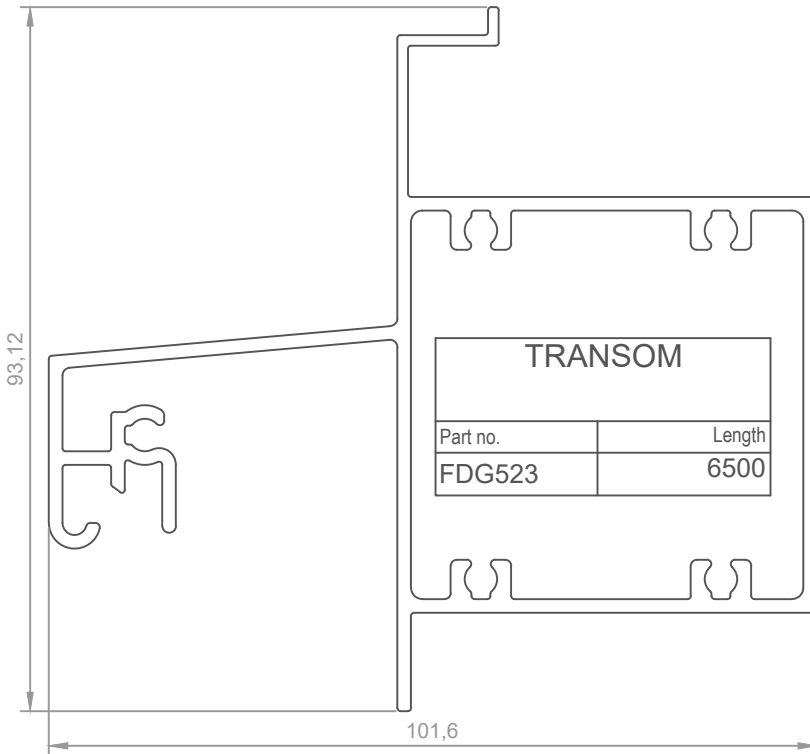
BEADED INLINE HOOK HEAD	
Part no.	Length
FDG517	6500



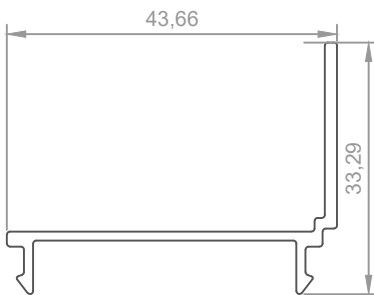
INLINE SASH HEAD	
Part no.	Length
FDG518	6500

INLINE SASH SILL	
Part no.	Length
FDG519	6500

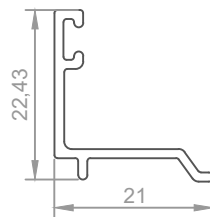




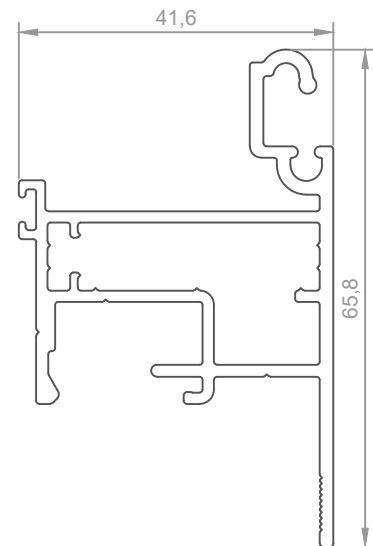
INLINE SASH RAIL	
Part no.	Length
FDG520	6500



INLINE SASH STOP	
Part no.	Length
FDG521	6500

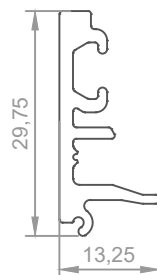
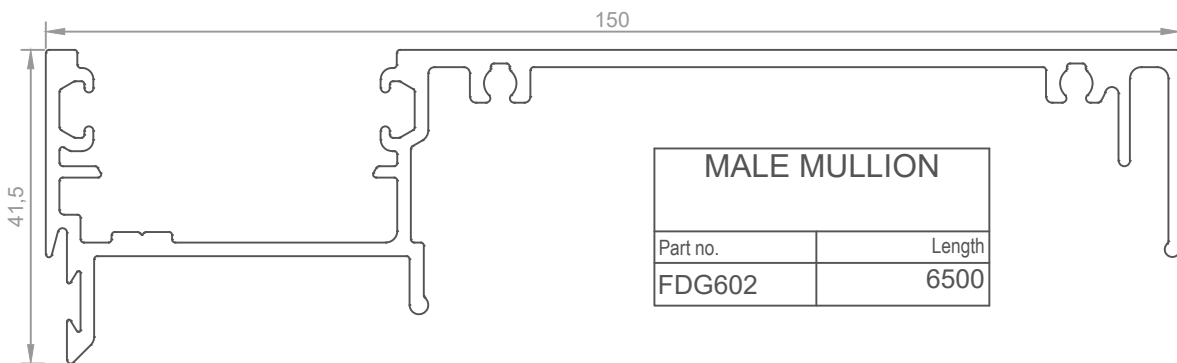
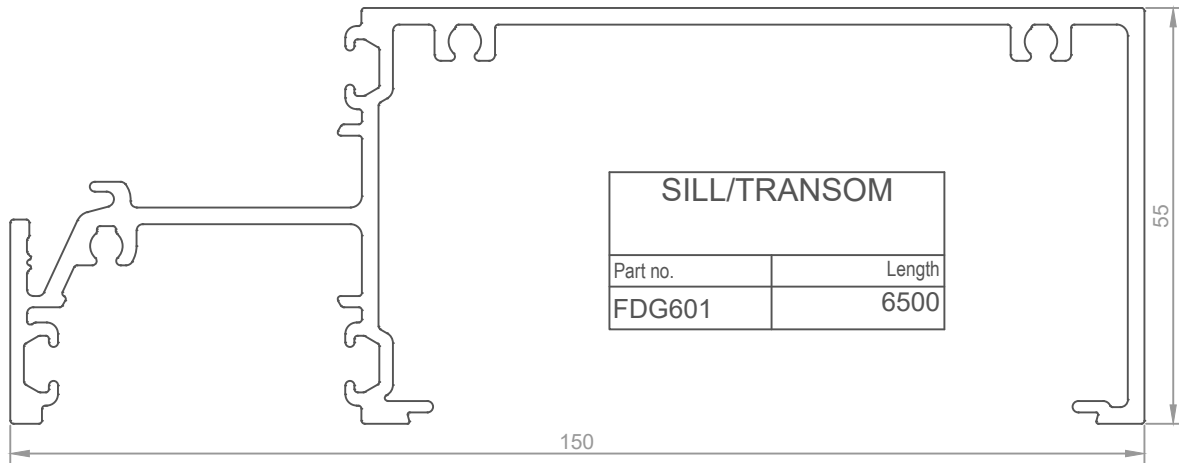
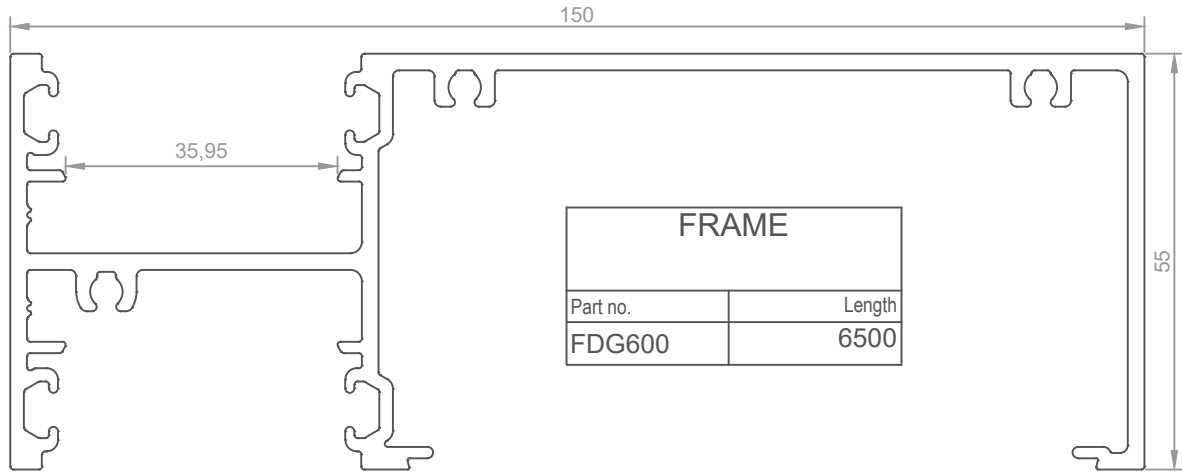


SASH BEAD	
Part no.	Length
CA703	6500

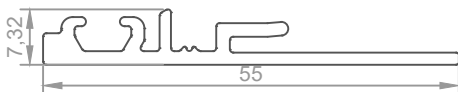
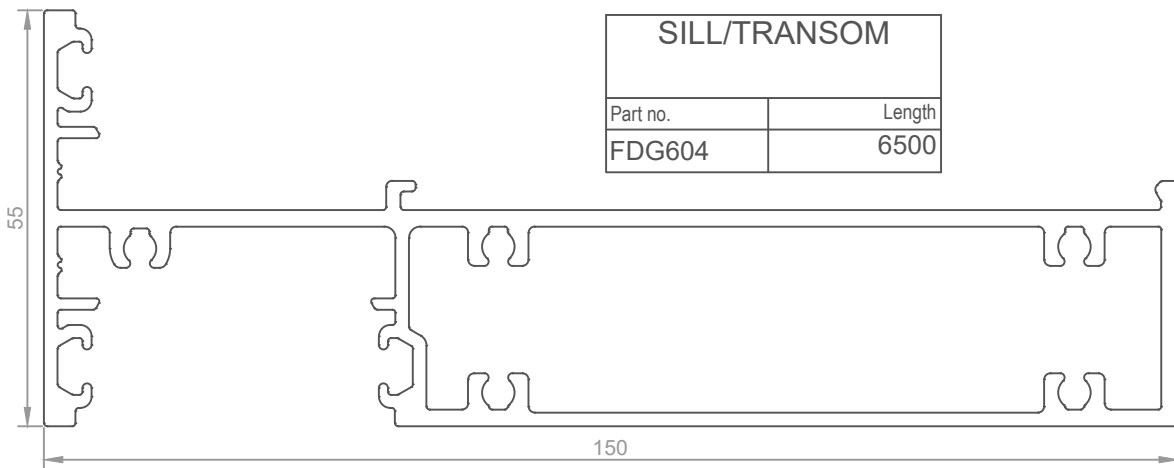
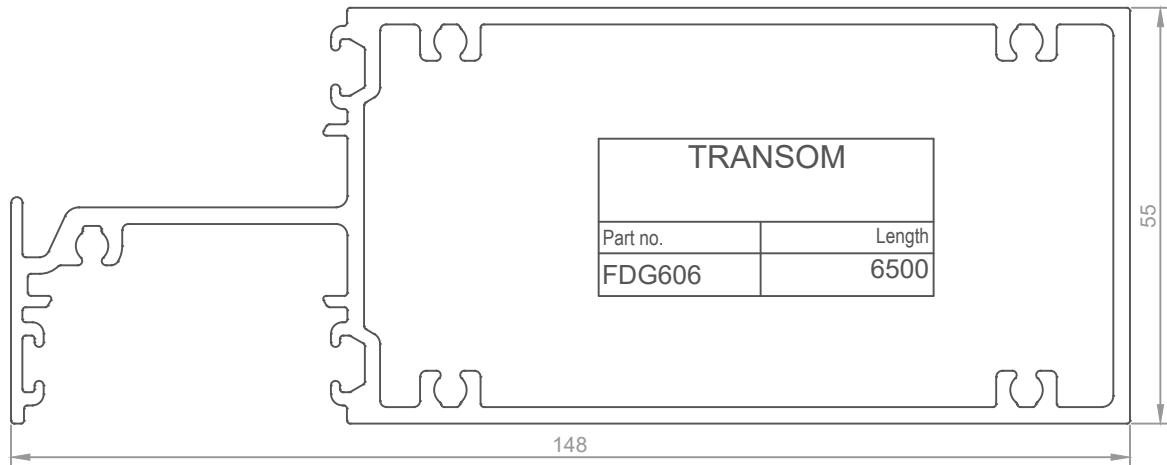
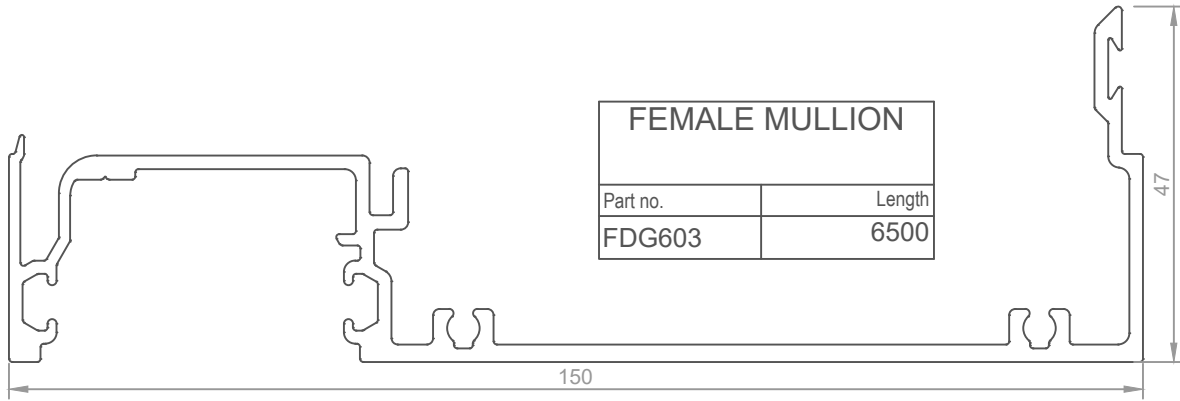


INLINE HOOK SASH	
Part no.	Length
FDG522	6500

15055-DG Front Glazed

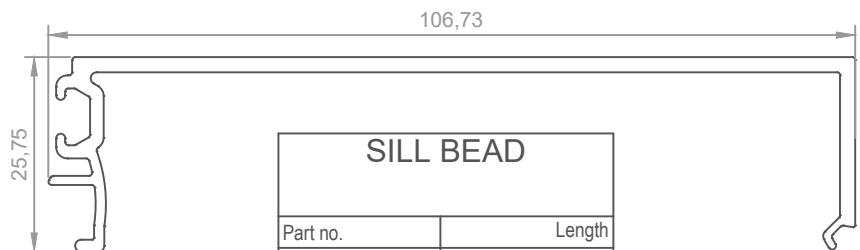


BEAD	
Part no.	Length
FDG507	6500



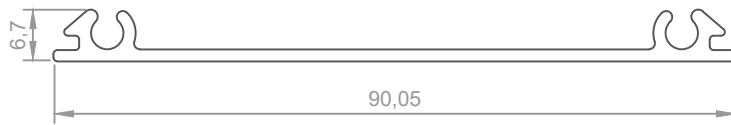
BEAD

Part no.	Length
FDG509	6500

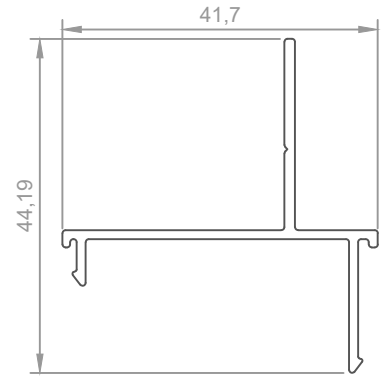


SILL BEAD

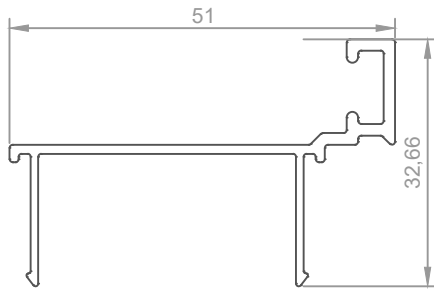
Part no.	Length
FDG605	6500



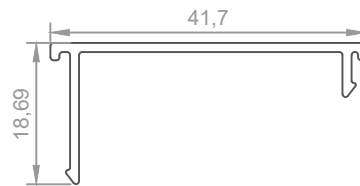
FLAT FILLER	
Part no.	Length
CA102	6500



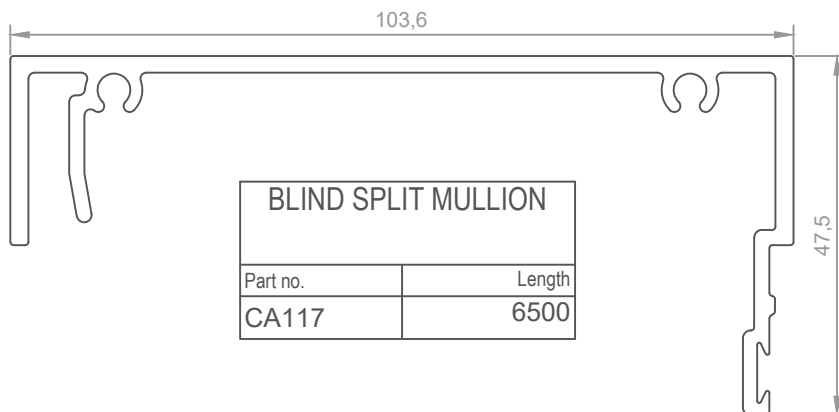
SASH STOP	
Part no.	Length
FDG504	6500



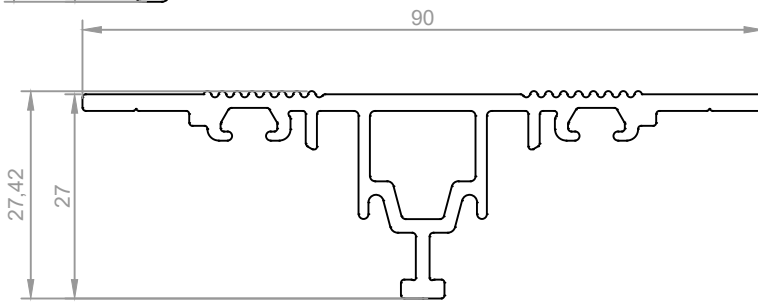
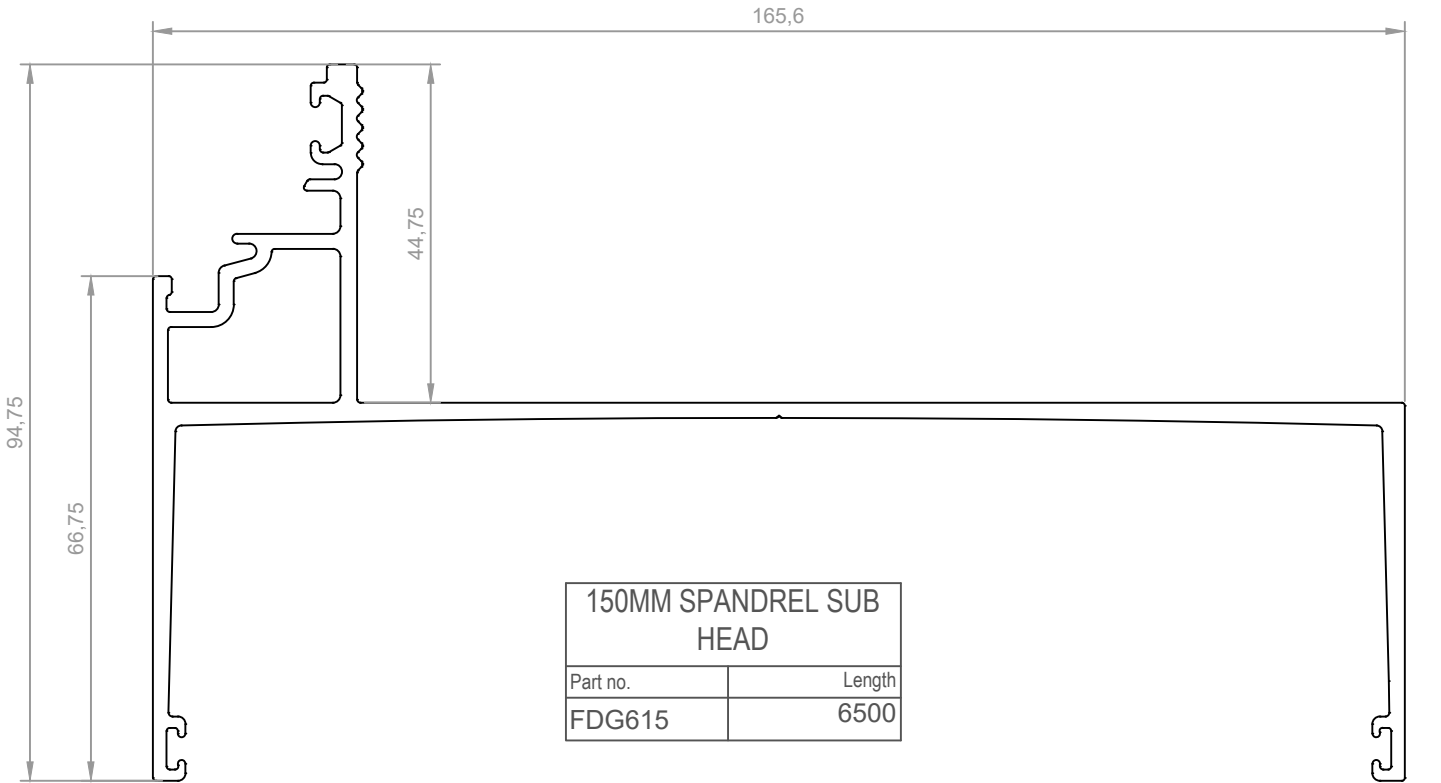
DOOR STOP	
Part no.	Length
FDG514	6500



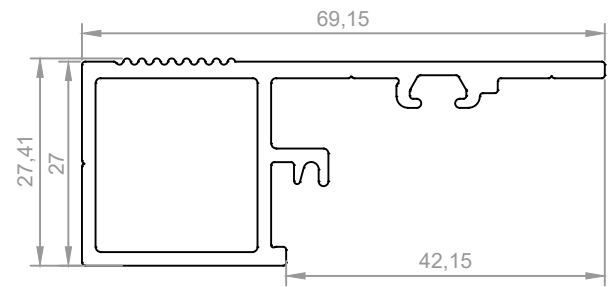
POCKET FILLER	
Part no.	Length
FDG516	6500



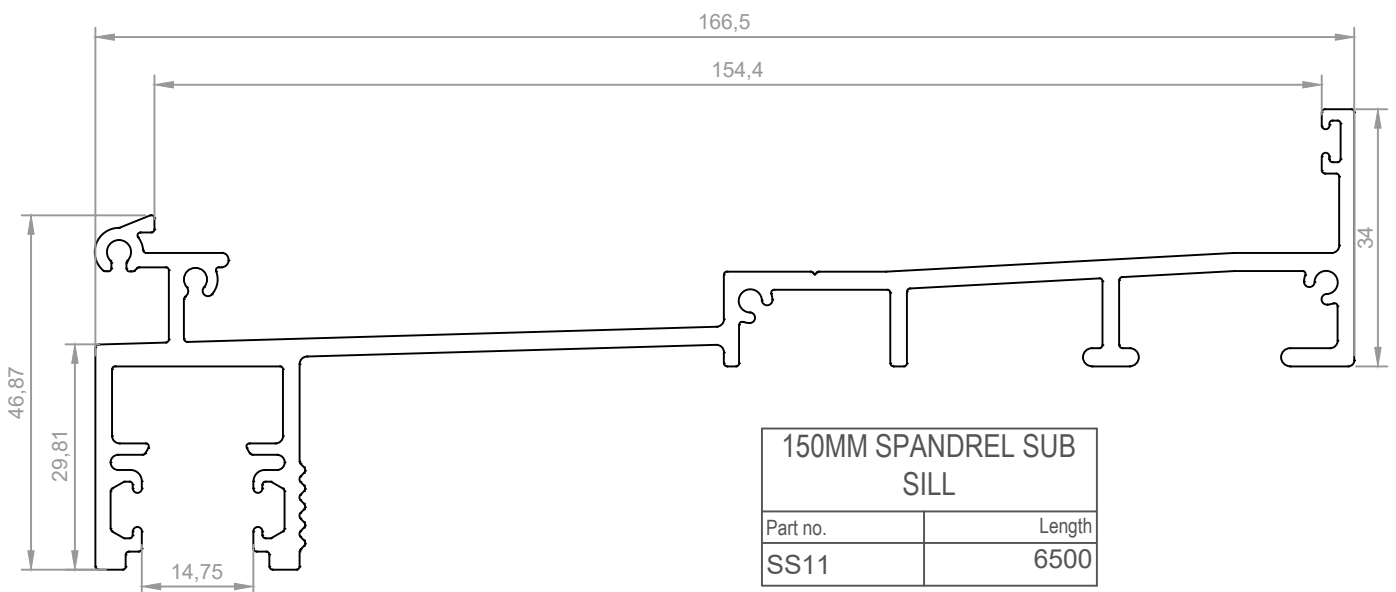
BLIND SPLIT MULLION	
Part no.	Length
CA117	6500



SPANDREL MULLION	
Part no.	Length
FDG608	6500

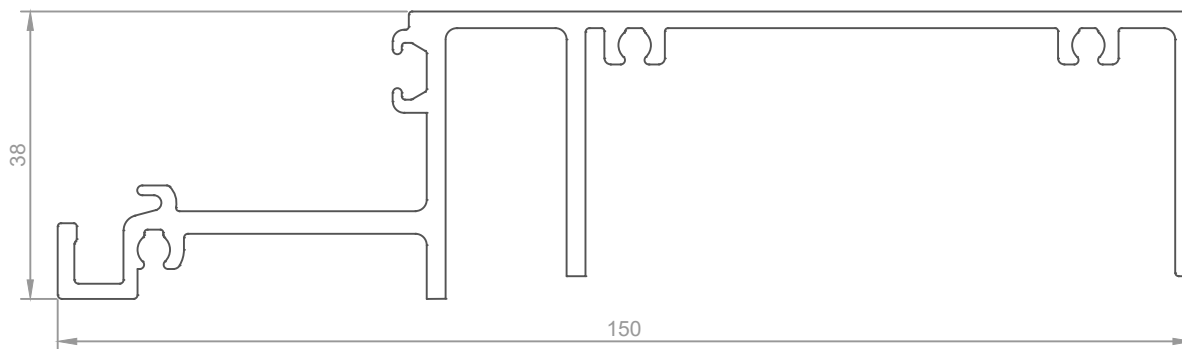
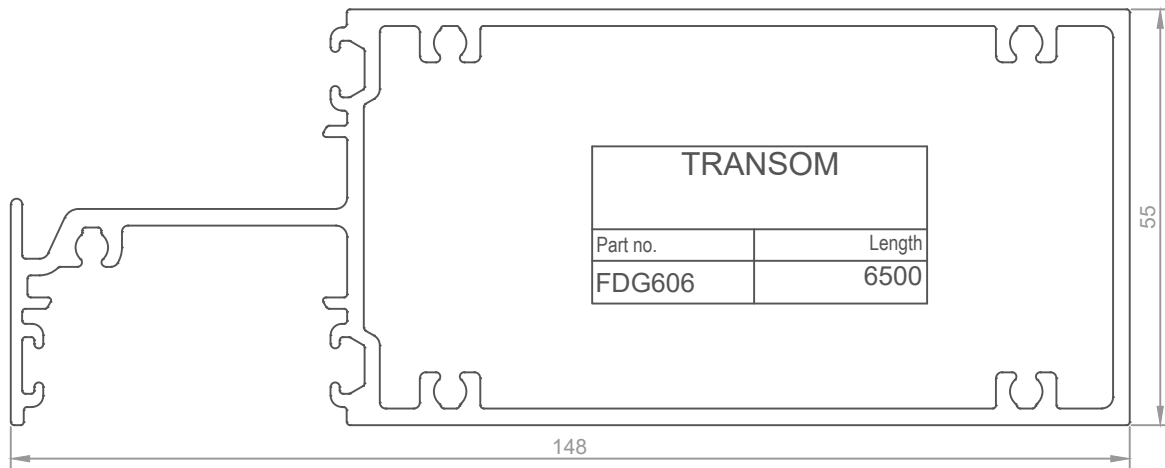
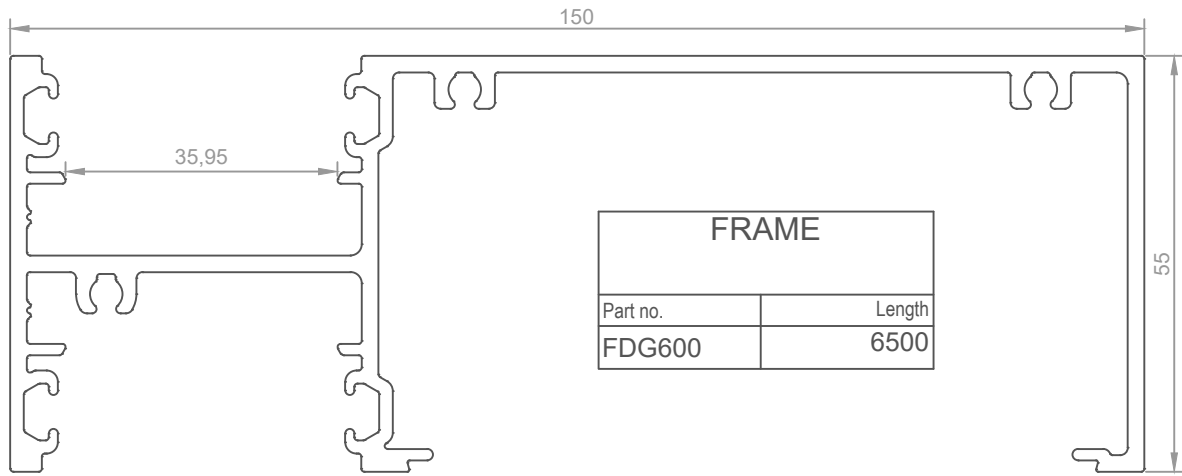


SPANDREL JAMB	
Part no.	Length
FDG607	6500

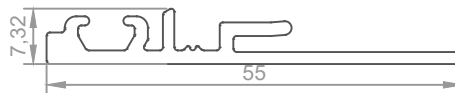


150MM SPANDREL SUB SILL	
Part no.	Length
SS11	6500

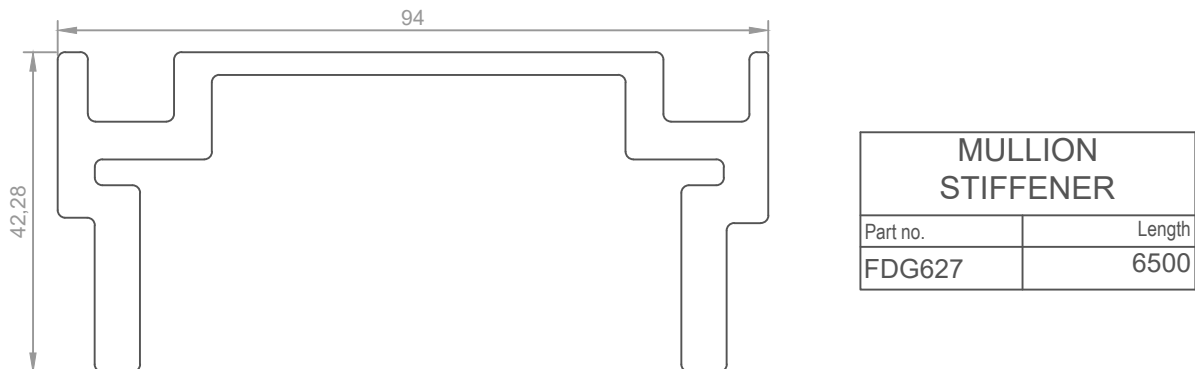
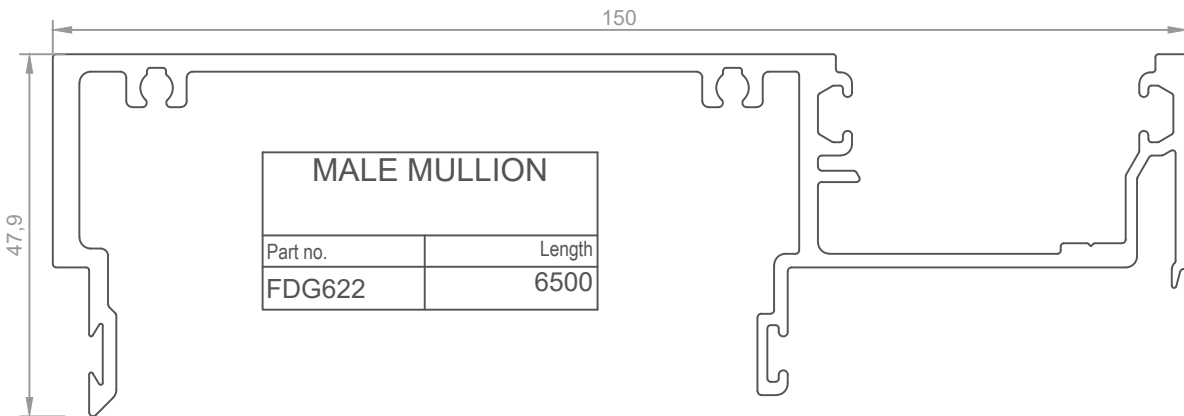
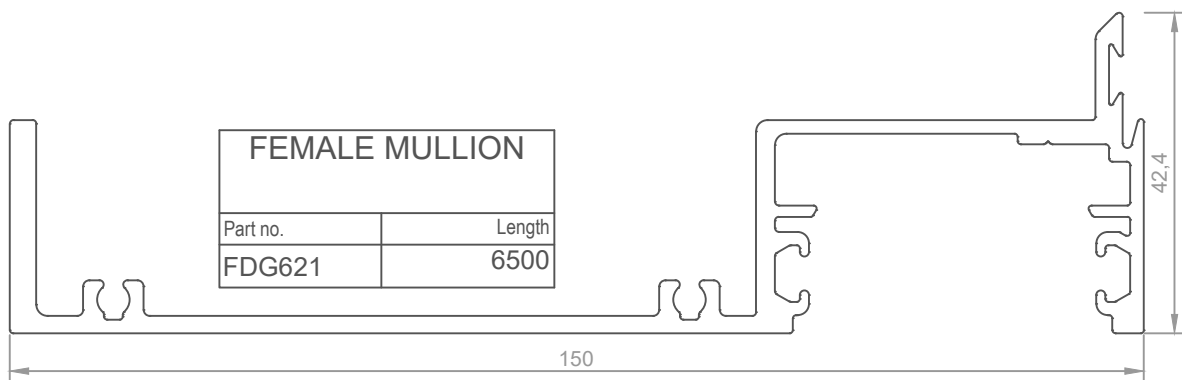
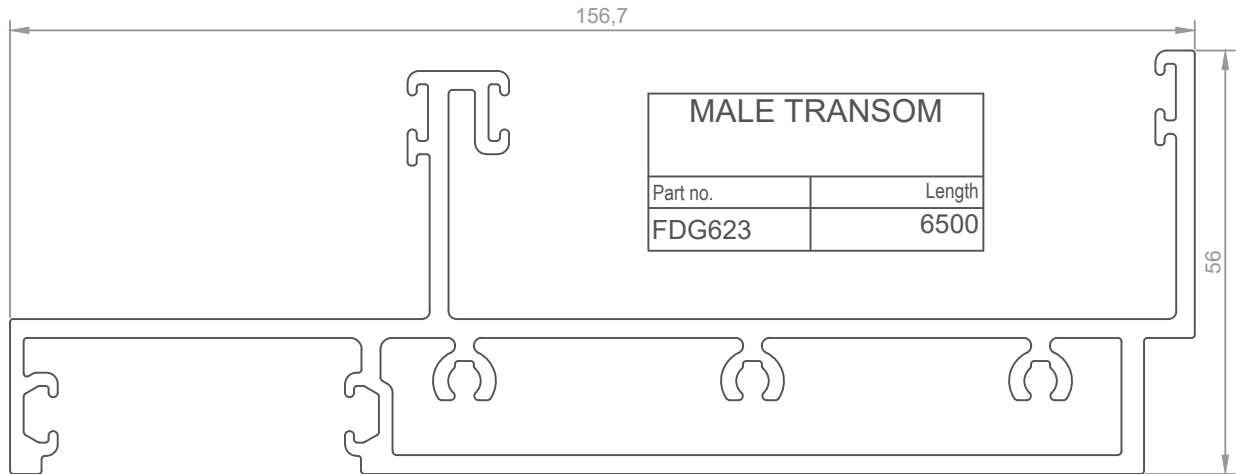
15055-DG Curtain Wall

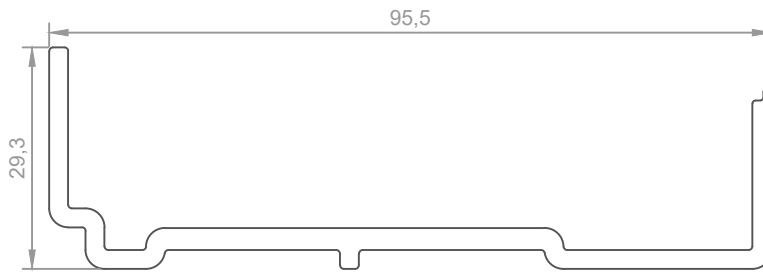


FEMALE TRANSOM	
Part no.	Length
FDG620	6500

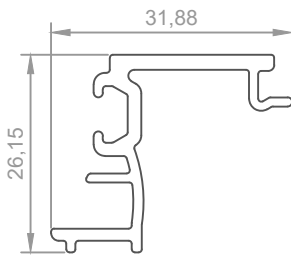


BEAD	
Part no.	Length
FDG509	6500

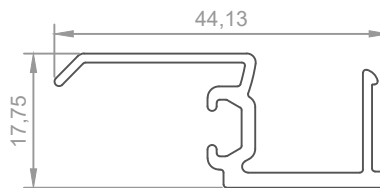




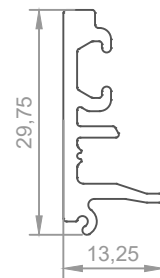
TRANSOM SPIGGOT	
Part no.	Length
FDG624	6500



SINGLE GLAZED ADAPTER	
Part no.	Length
FDG625	6500



SINGLE GLAZED REDUCER	
Part no.	Length
FDG626	6500

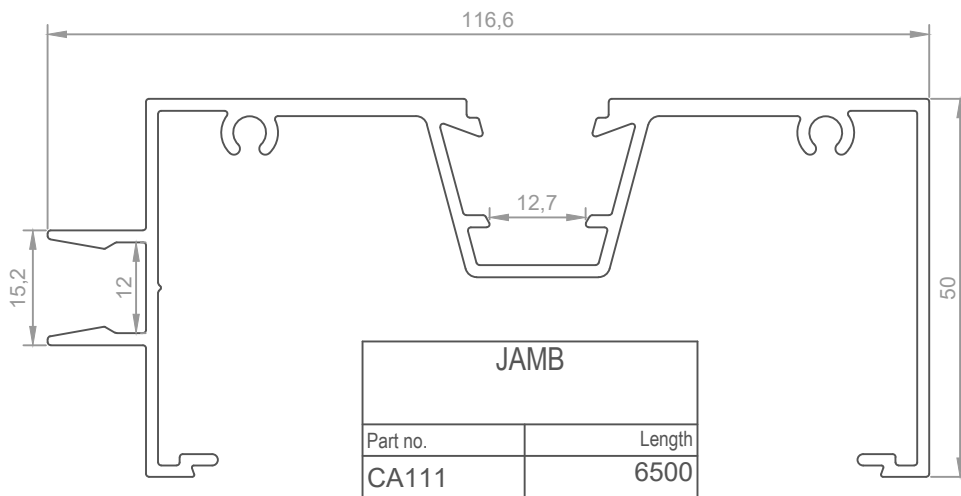
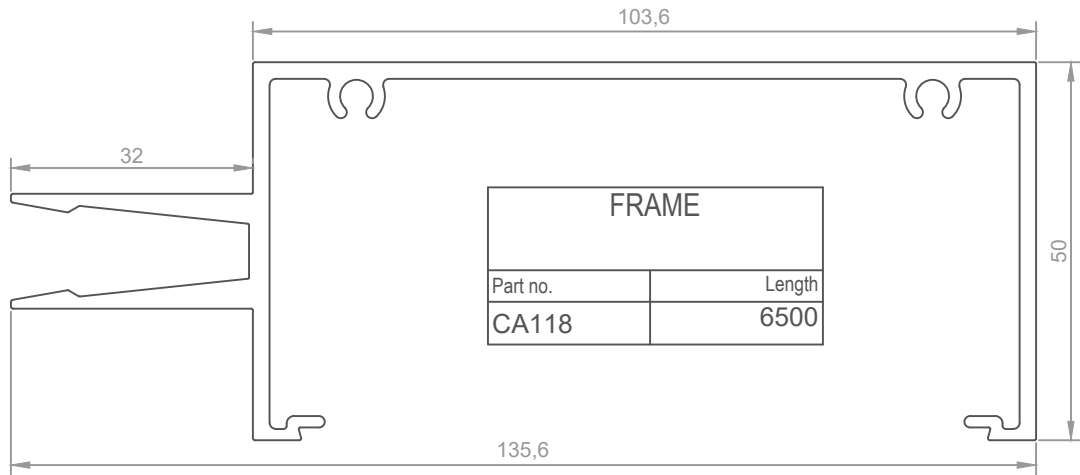
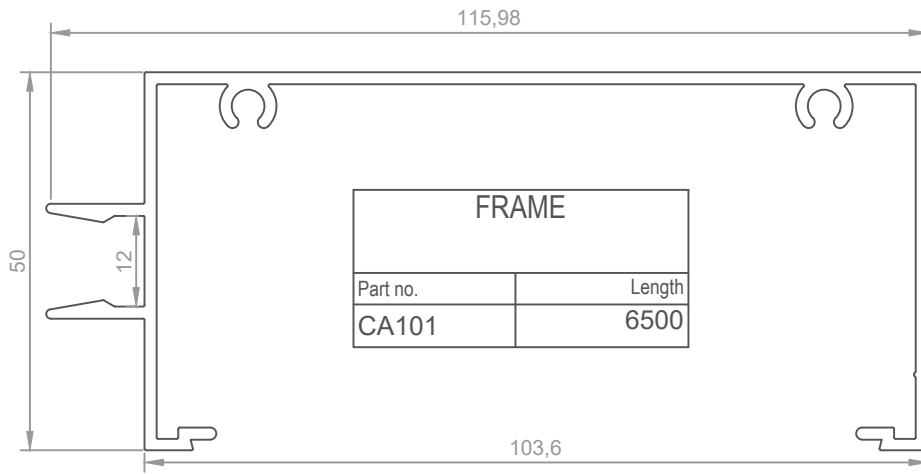


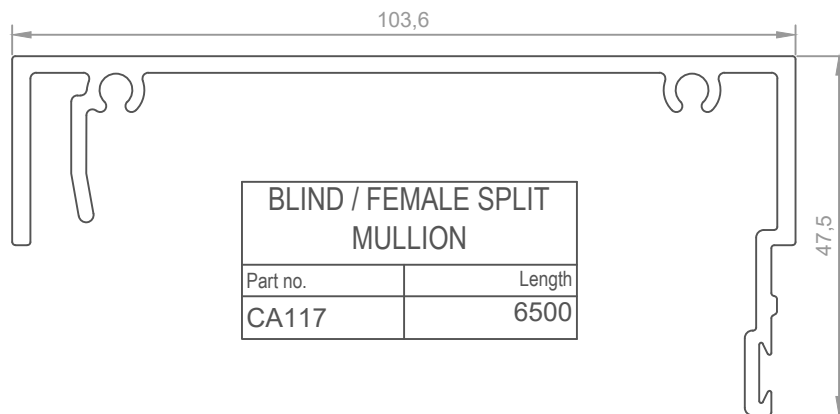
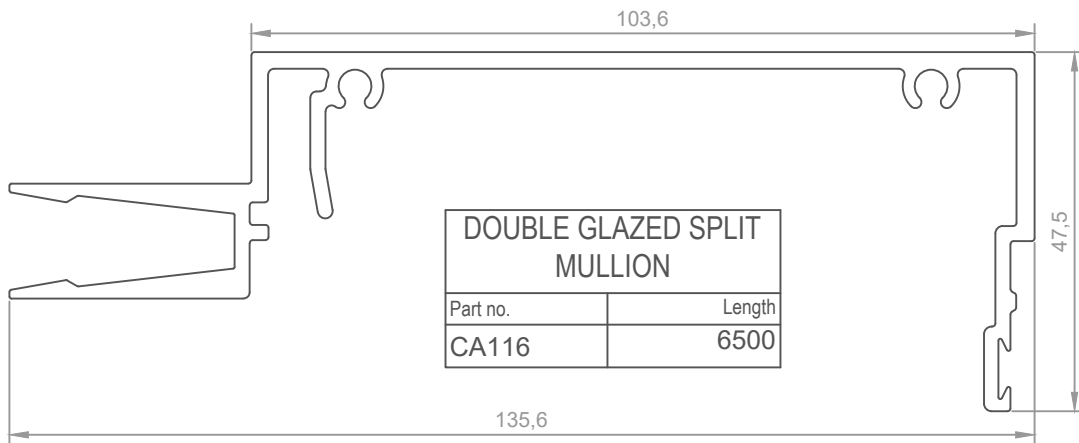
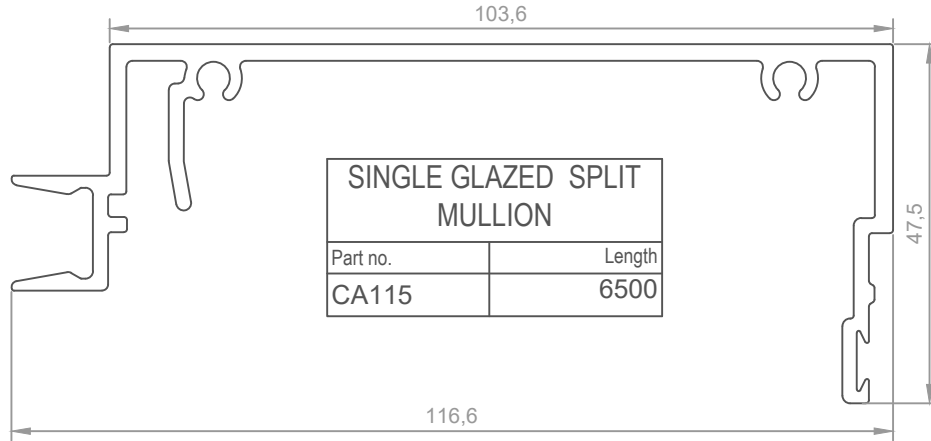
BEAD	
Part no.	Length
FDG507	6500

IMPORTANT NOTICE

THIS DRAWING AND THE DESIGN SHOWN IS THE INTELLECTUAL PROPERTY OF CONCEPT ARCHITECTURAL SYSTEMS AND IS PROTECTED BY COPYRIGHT. THIS DRAWING MAY NOT BE COPIED OR DISTRIBUTED WITHOUT THE WRITTEN CONSENT OF CONCEPT ARCHITECTURAL SYSTEMS ©

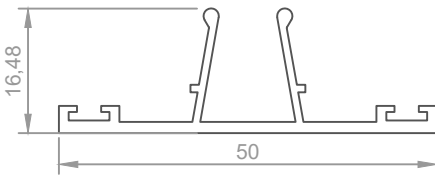
10350 Flush Glazed



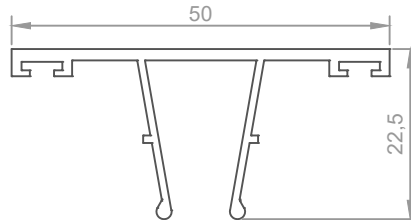




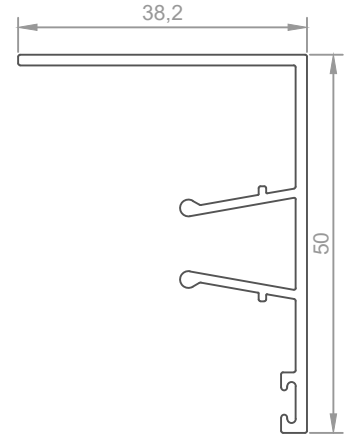
FLAT FILLER	
Part no.	Length
CA102	6500



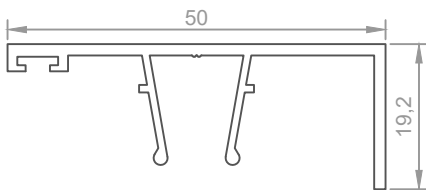
20MM SNAP COVER	
Part no.	Length
CA107	6500



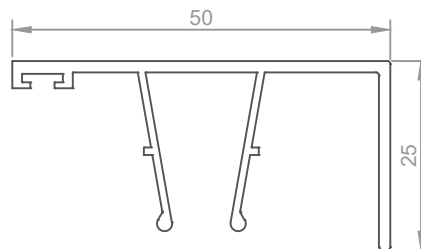
SNAP COVER	
Part no.	Length
CA120	6500



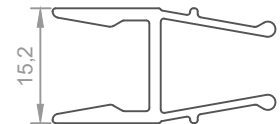
SNAP COVER	
Part no.	Length
CA810	6500



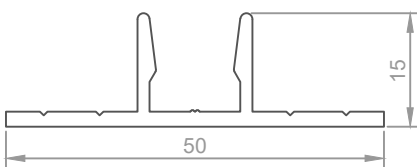
20MM RETURN SNAP COVER	
Part no.	Length
CA108	6500



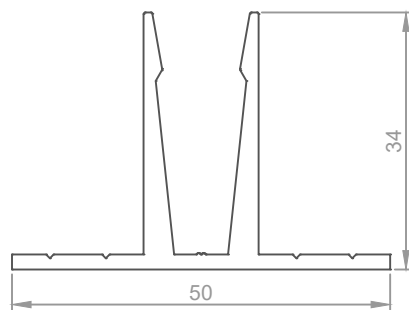
SNAP COVER	
Part no.	Length
CA121	6500



ADAPTER	
Part no.	Length
CA809	6500



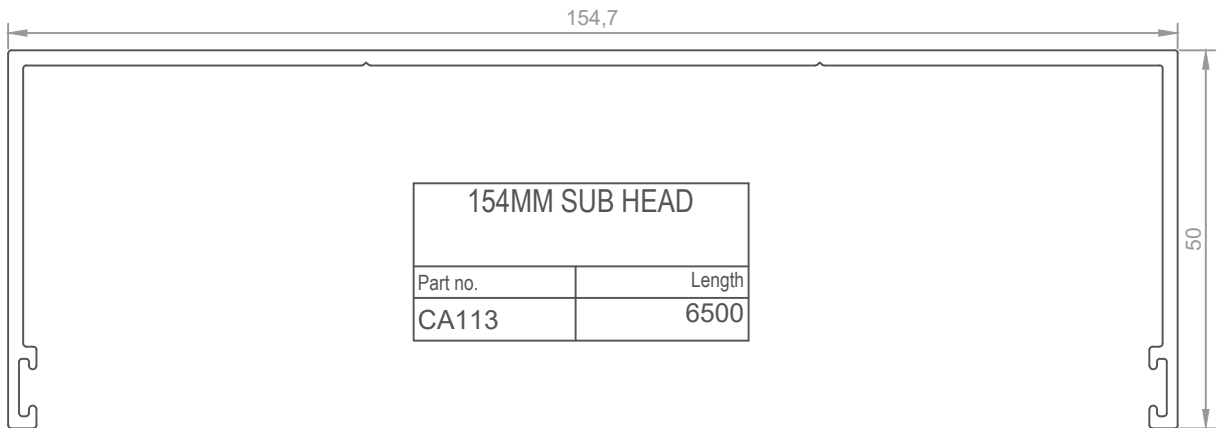
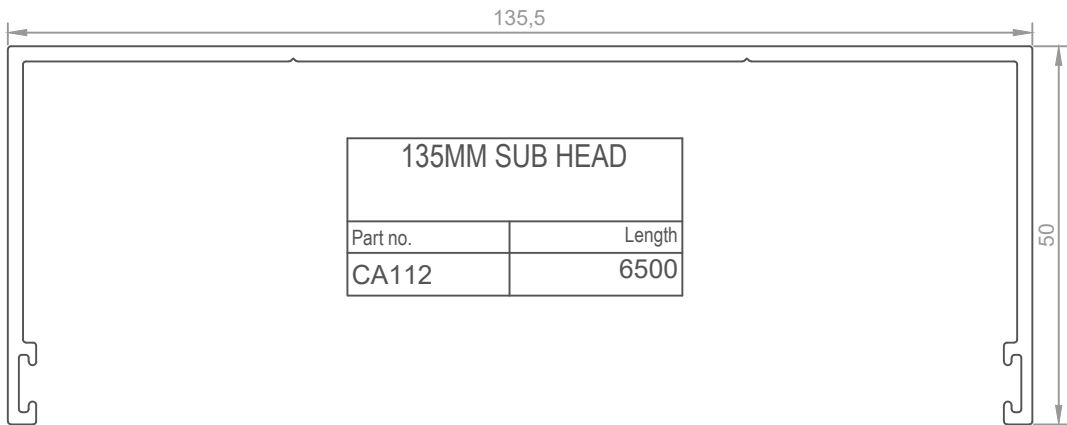
BACK ADAPTER	
Part no.	Length
CA105	6500



D/G BACK ADAPTER	
Part no.	Length
CA106	6500

IMPORTANT NOTICE

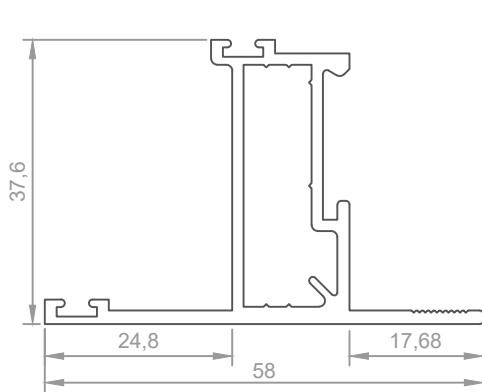
THIS DRAWING AND THE DESIGN SHOWN IS THE INTELLECTUAL PROPERTY OF CONCEPT ARCHITECTURAL SYSTEMS AND IS PROTECTED BY COPYRIGHT. THIS DRAWING MAY NOT BE COPIED OR DISTRIBUTED WITHOUT THE WRITTEN CONSENT OF CONCEPT ARCHITECTURAL SYSTEMS ©



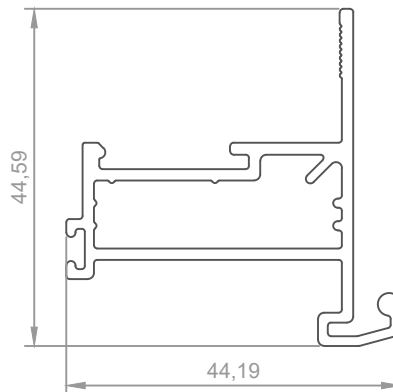
IMPORTANT NOTICE

THIS DRAWING AND THE DESIGN SHOWN IS THE INTELLECTUAL PROPERTY OF
CONCEPT ARCHITECTURAL SYSTEMS AND IS PROTECTED BY COPYRIGHT. THIS DRAWING MAY NOT BE
 COPIED OR DISTRIBUTED WITHOUT THE WRITTEN CONSENT OF **CONCEPT ARCHITECTURAL SYSTEMS** ©

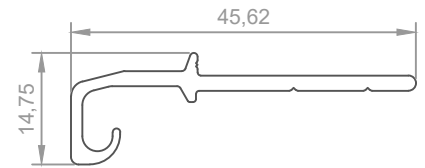
Commercial Flat Sash



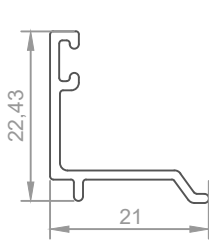
FLAT AWNING SASH	
Part no.	Length
CA470	6500



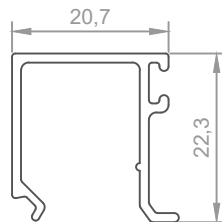
FLAT AWNING HOOK SASH	
Part no.	Length
CA471	6500



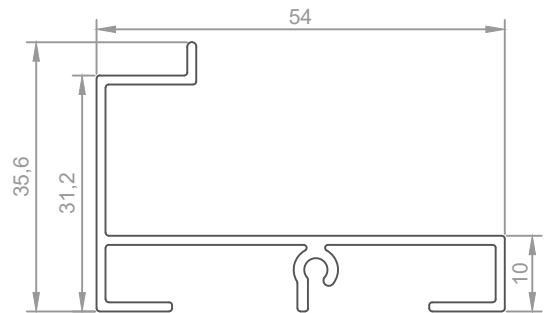
SASH HOOK HINGE	
Part no.	Length
CA453	6500



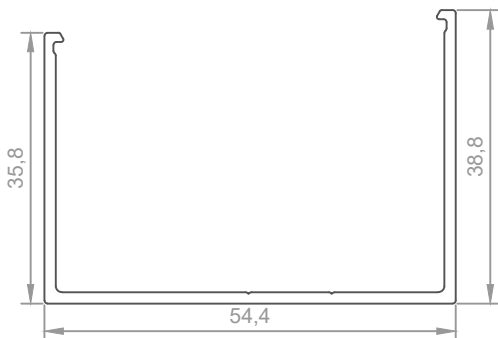
SASH BEAD	
Part no.	Length
CA703	6500



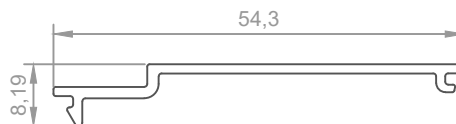
SASH BEAD	
Part no.	Length
CA412	6500



COMMERCIAL CHAIN WINDER ADAPTER	
Part no.	Length
CA100	6500



ELECTRIC CHAINWINDER CHANNEL	
Part no.	Length
CA050	6500

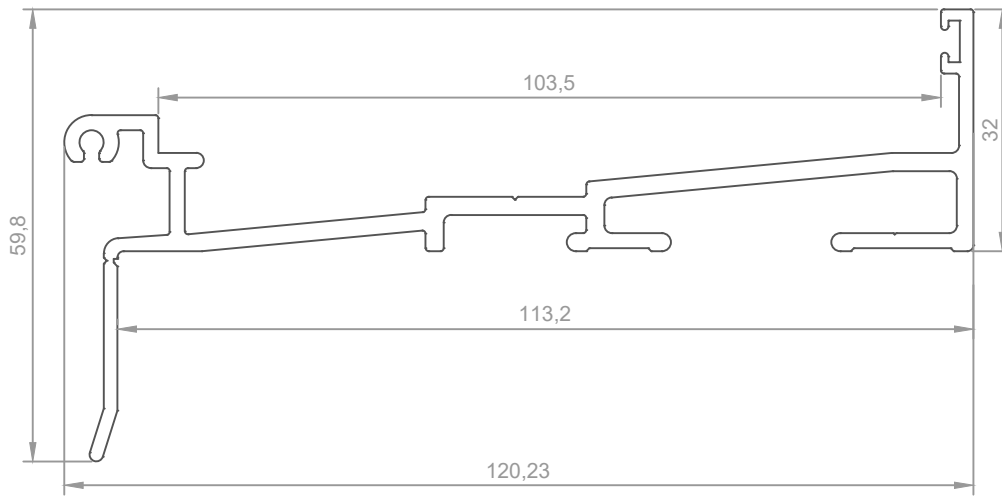


ELECTRIC CHAINWINDER CHANNEL COVER	
Part no.	Length
CA051	6500

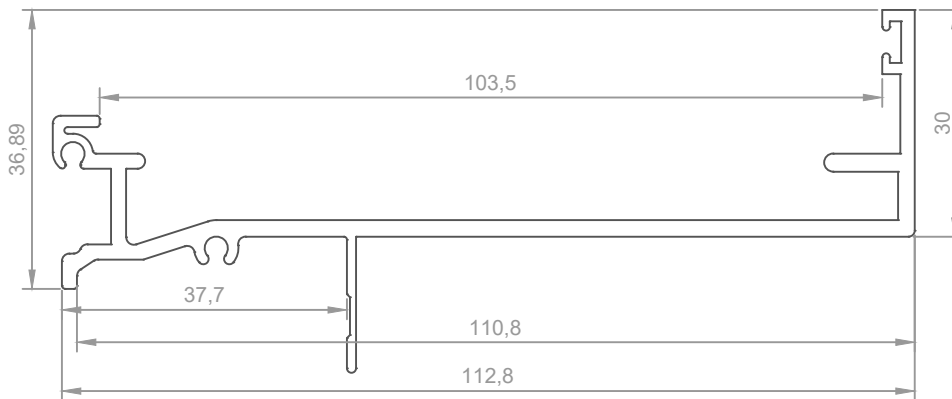
IMPORTANT NOTICE

THIS DRAWING AND THE DESIGN SHOWN IS THE INTELLECTUAL PROPERTY OF CONCEPT ARCHITECTURAL SYSTEMS AND IS PROTECTED BY COPYRIGHT. THIS DRAWING MAY NOT BE COPIED OR DISTRIBUTED WITHOUT THE WRITTEN CONSENT OF CONCEPT ARCHITECTURAL SYSTEMS ©

Sub Framing



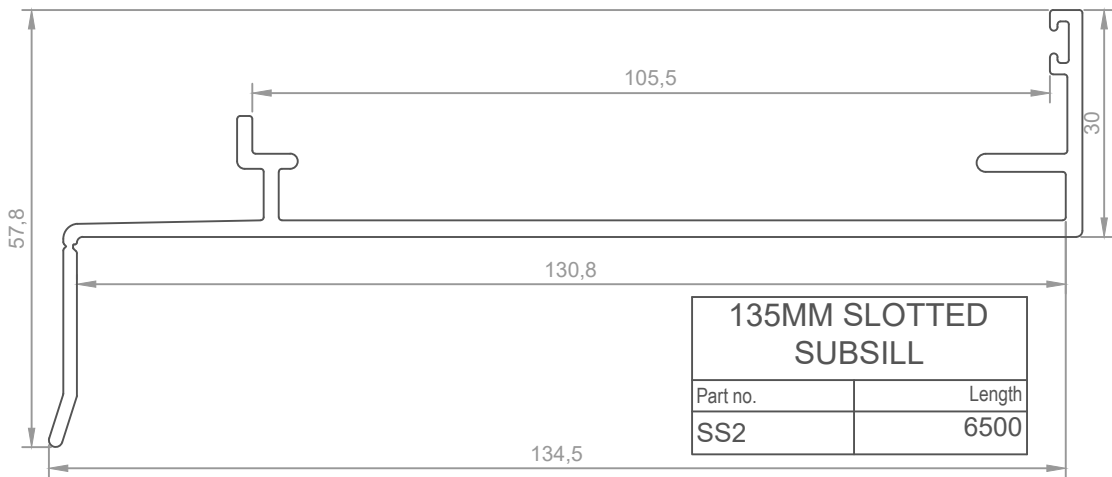
113MM SLOPING SLOTTED SUBSILL	
Part no.	Length
SS20	6500



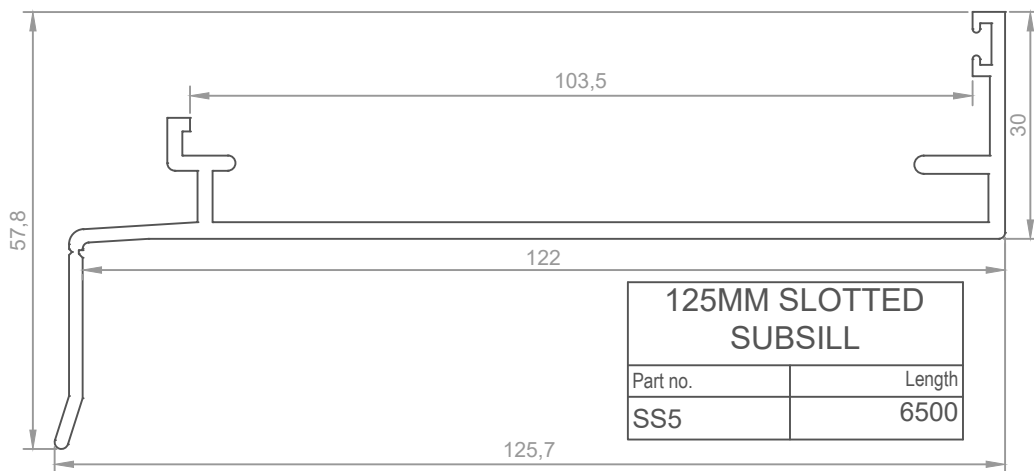
114MM FINNED SUBSILL	
Part no.	Length
SS21	6500



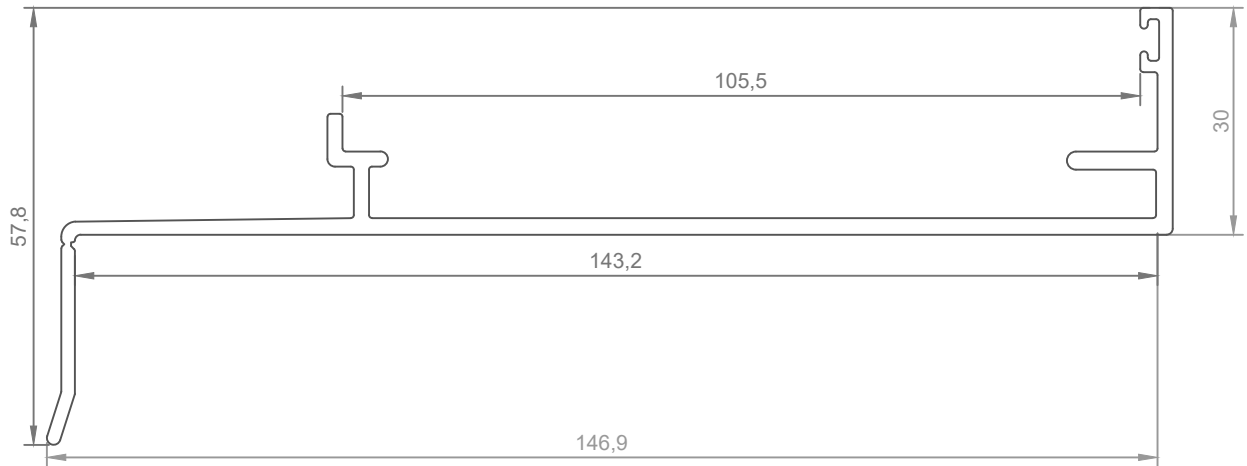
113MM SLOTTED SUBSILL	
Part no.	Length
SS1	6500



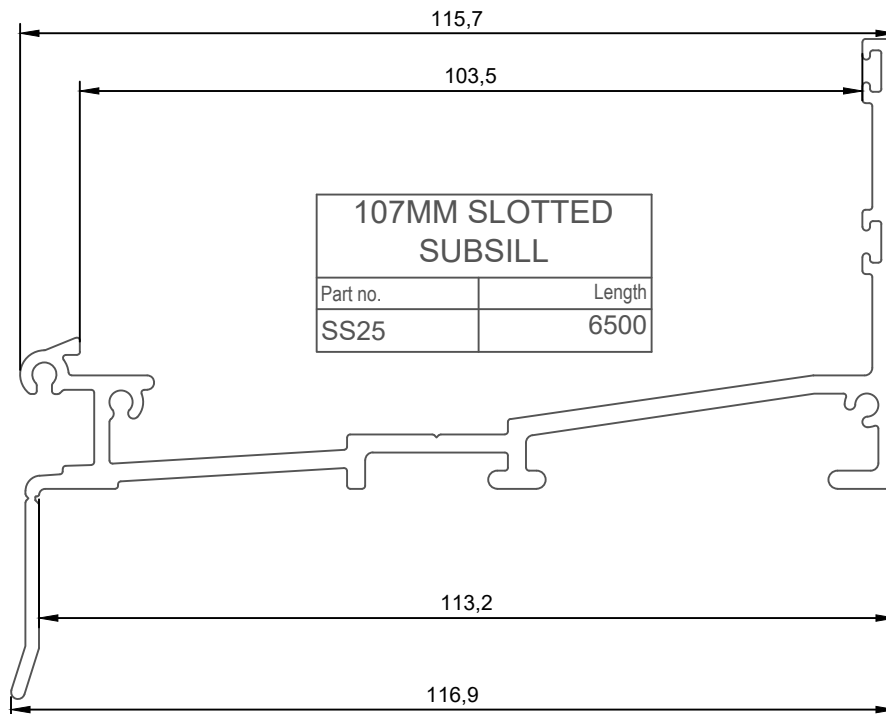
135MM SLOTTED SUBSILL	
Part no.	Length
SS2	6500



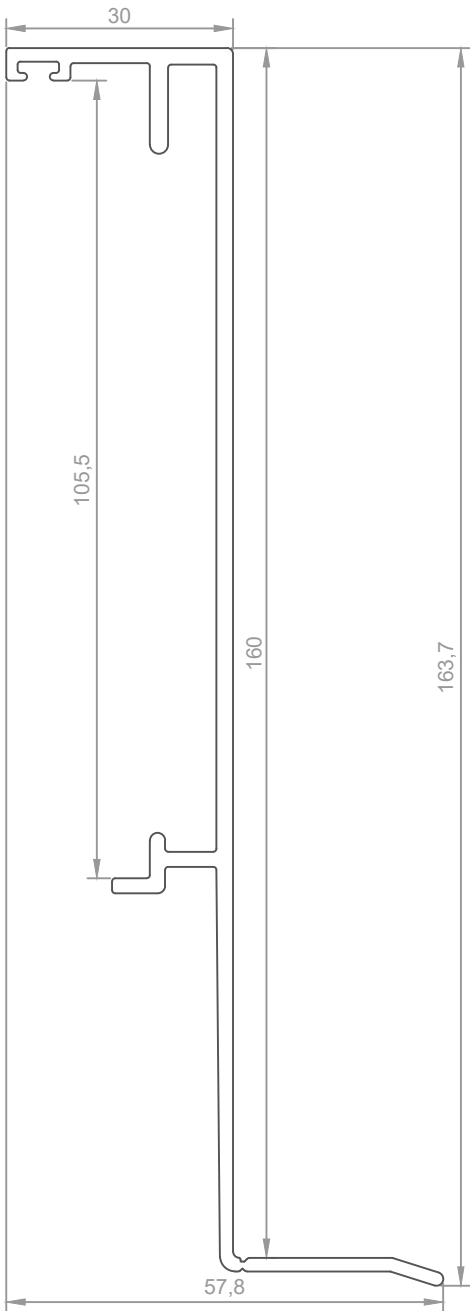
125MM SLOTTED SUBSILL	
Part no.	Length
SS5	6500



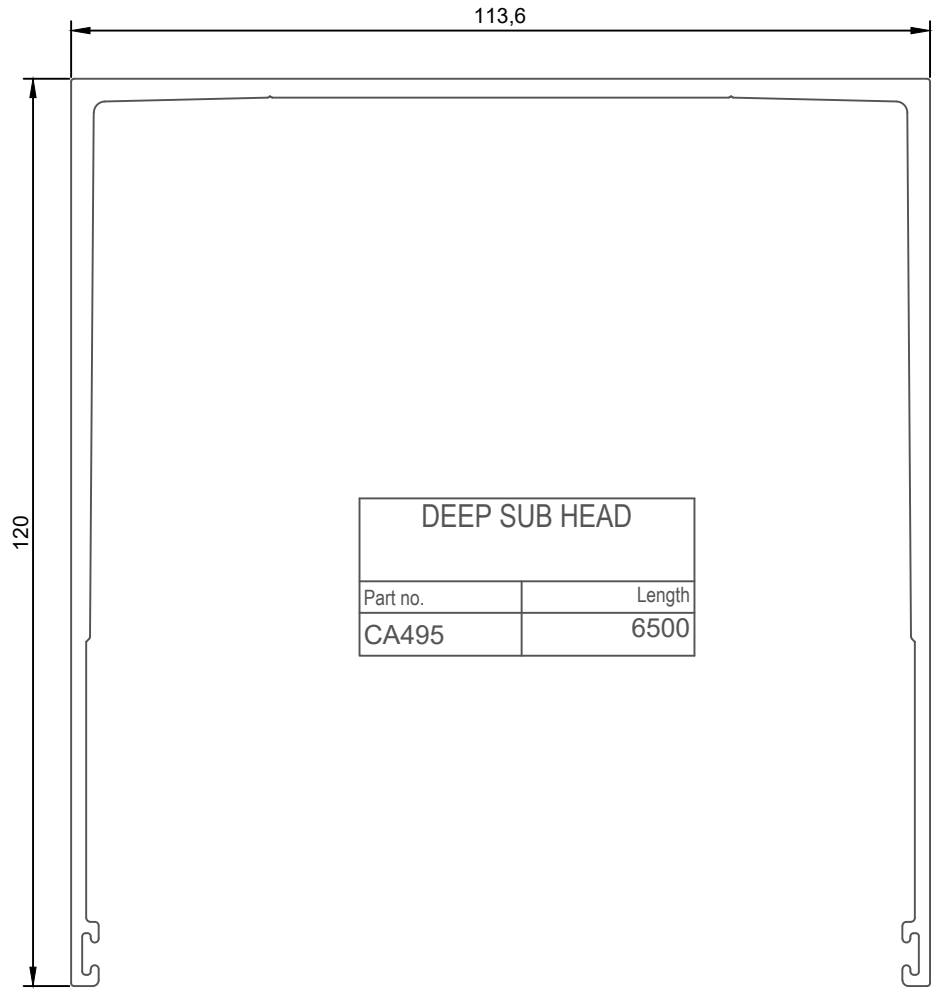
144MM SLOTTED SUBSILL	
Part no.	Length
SS7	6500



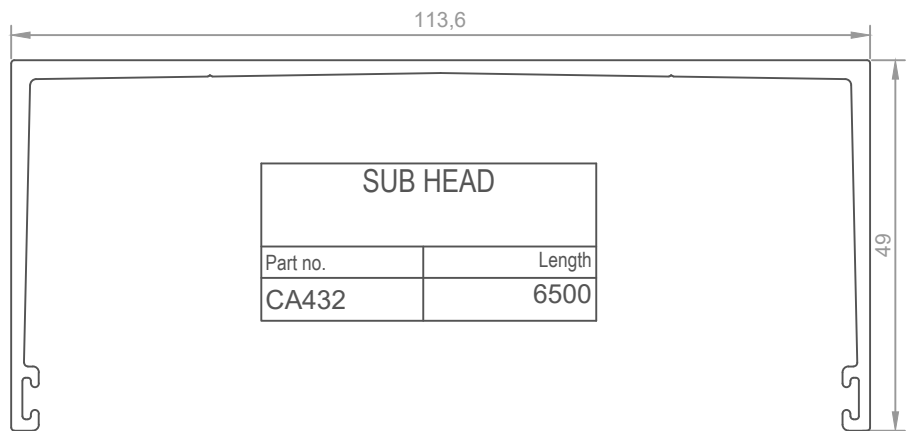
107MM SLOTTED SUBSILL	
Part no.	Length
SS25	6500



160MM SLOTTED SUBSILL	
Part no.	Length
SS8	6500



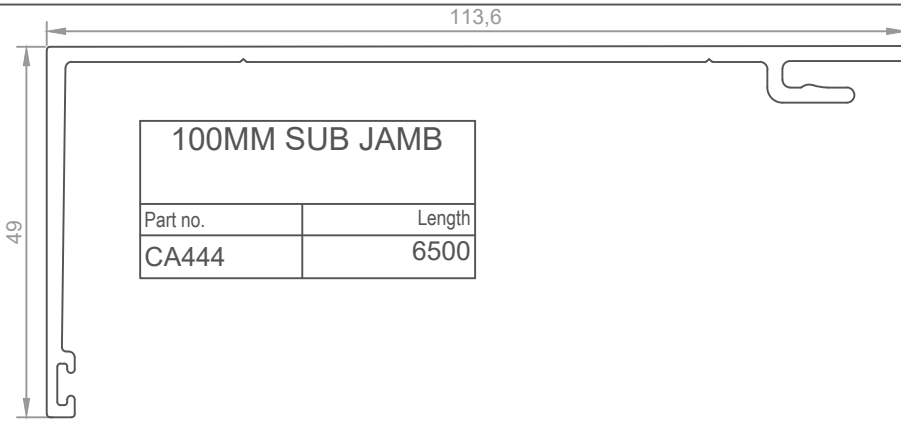
DEEP SUB HEAD	
Part no.	Length
CA495	6500



SUB HEAD	
Part no.	Length
CA432	6500

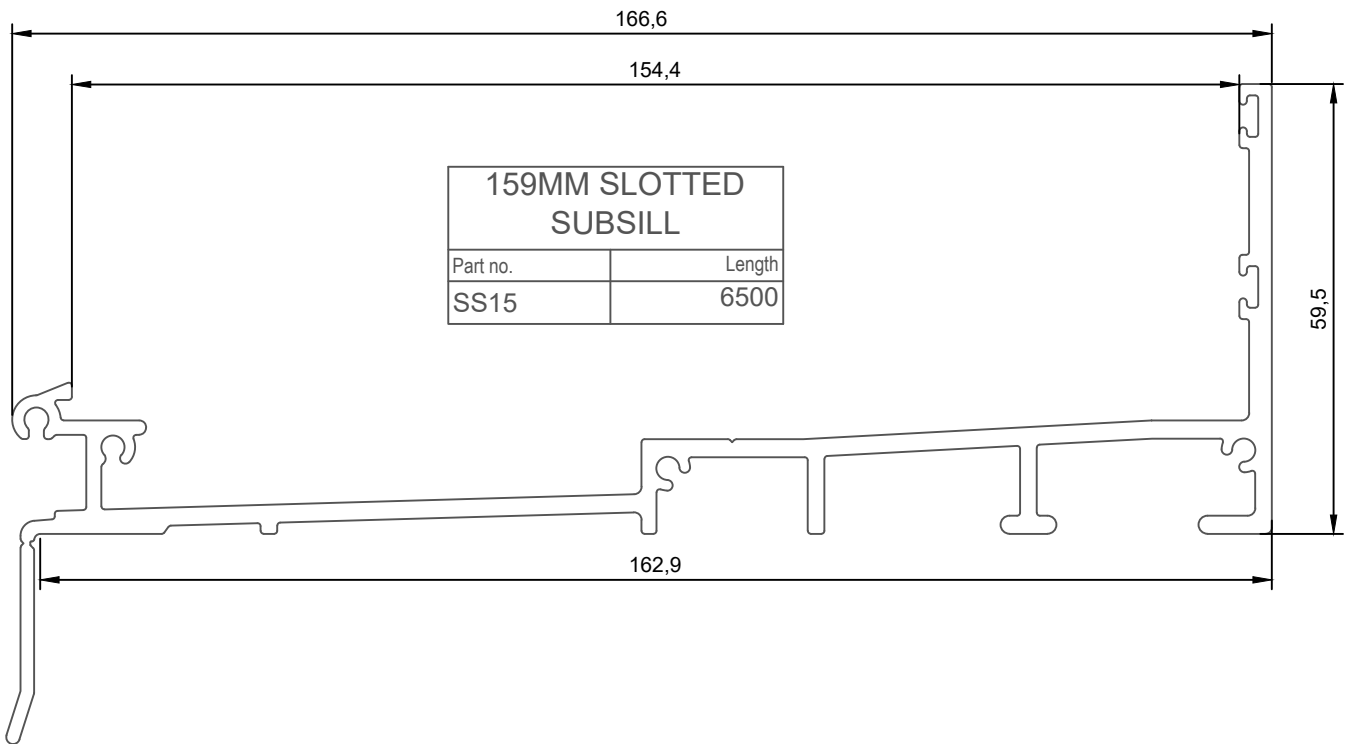
IMPORTANT NOTICE

THIS DRAWING AND THE DESIGN SHOWN IS THE INTELLECTUAL PROPERTY OF CONCEPT ARCHITECTURAL SYSTEMS AND IS PROTECTED BY COPYRIGHT. THIS DRAWING MAY NOT BE COPIED OR DISTRIBUTED WITHOUT THE WRITTEN CONSENT OF CONCEPT ARCHITECTURAL SYSTEMS ©

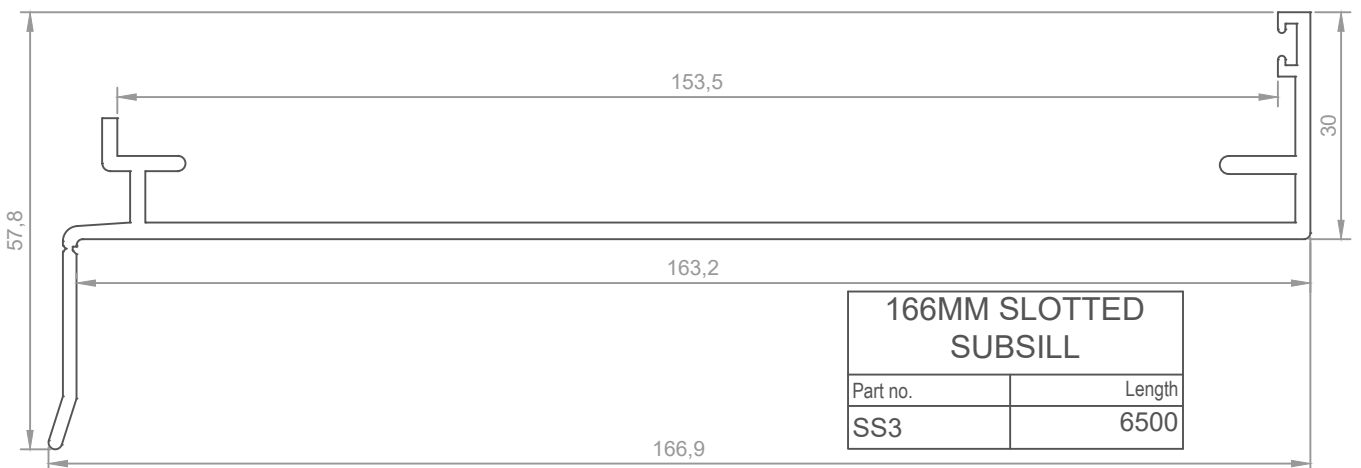


100MM SUB JAMB	
Part no.	Length
CA444	6500

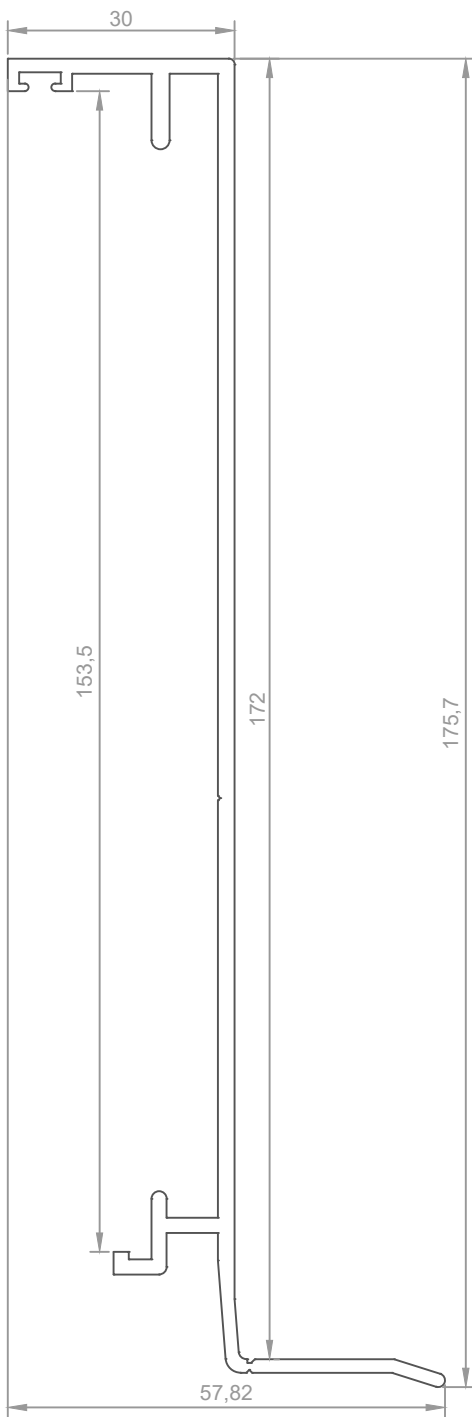
SUB JAMB CAP	
Part no.	Length
CA605	6500



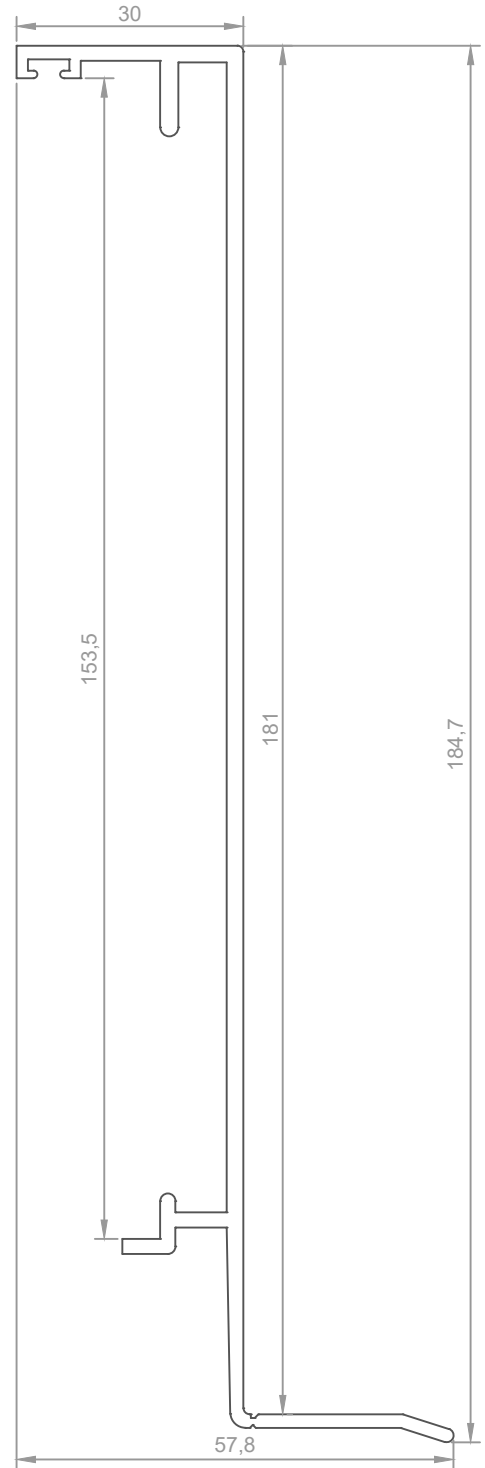
159MM SLOTTED SUBSILL	
Part no.	Length
SS15	6500



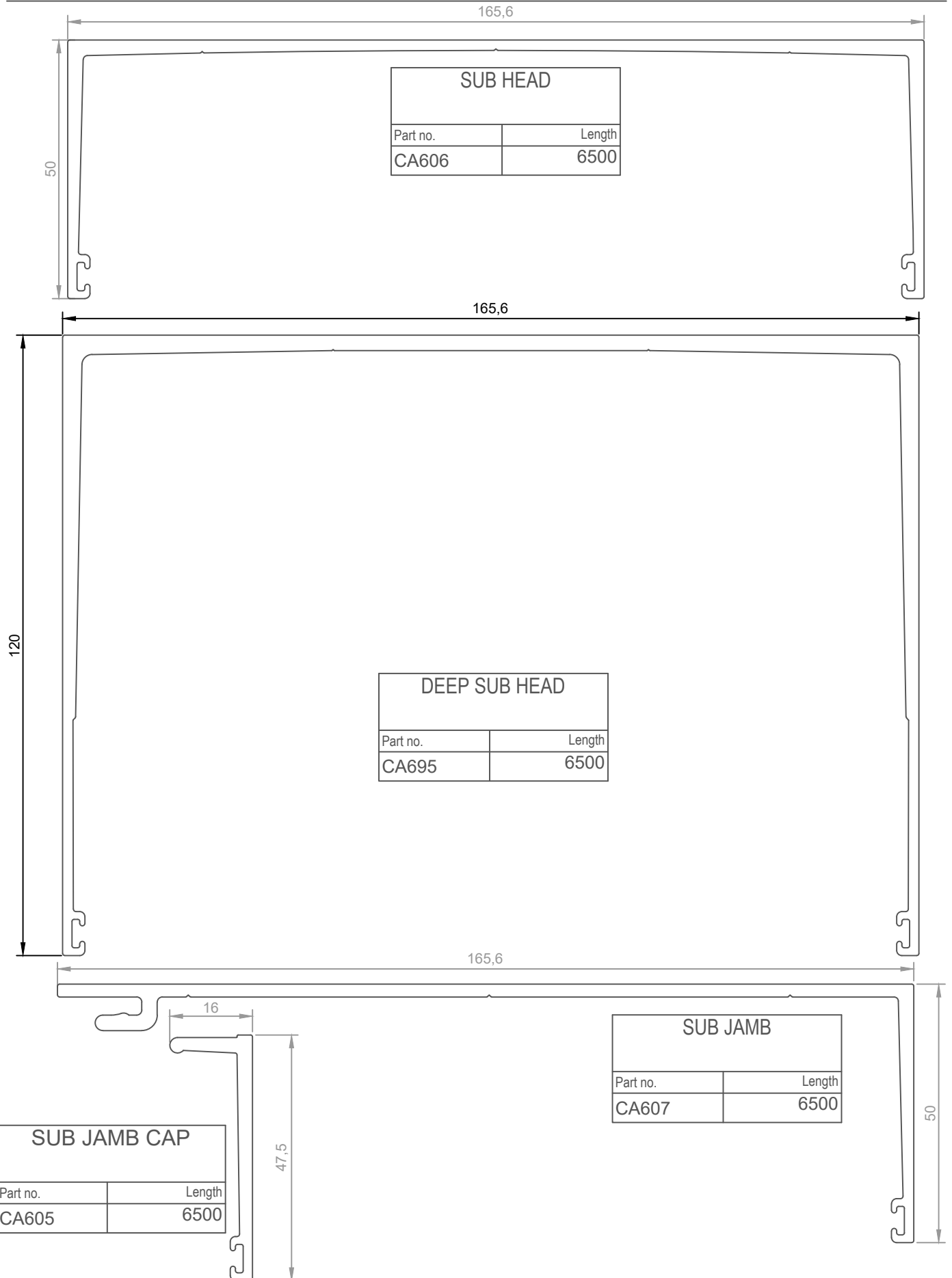
166MM SLOTTED SUBSILL	
Part no.	Length
SS3	6500



175MM SLOTTED SUBSILL	
Part no.	Length
SS4	6500



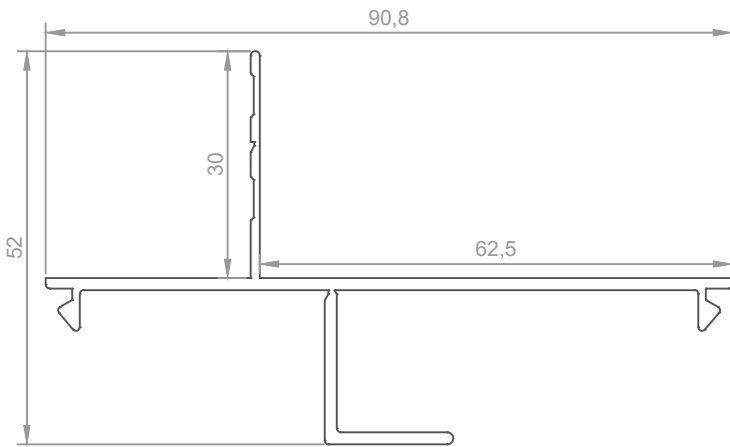
185MM SLOTTED SUBSILL	
Part no.	Length
SS10	6500



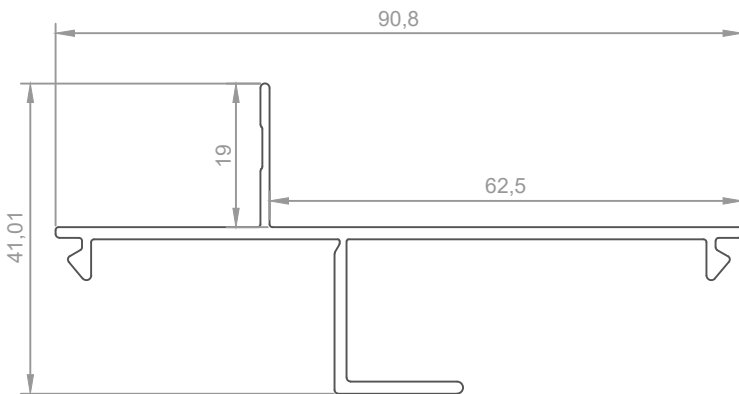
IMPORTANT NOTICE

THIS DRAWING AND THE DESIGN SHOWN IS THE INTELLECTUAL PROPERTY OF CONCEPT ARCHITECTURAL SYSTEMS AND IS PROTECTED BY COPYRIGHT. THIS DRAWING MAY NOT BE COPIED OR DISTRIBUTED WITHOUT THE WRITTEN CONSENT OF CONCEPT ARCHITECTURAL SYSTEMS ©

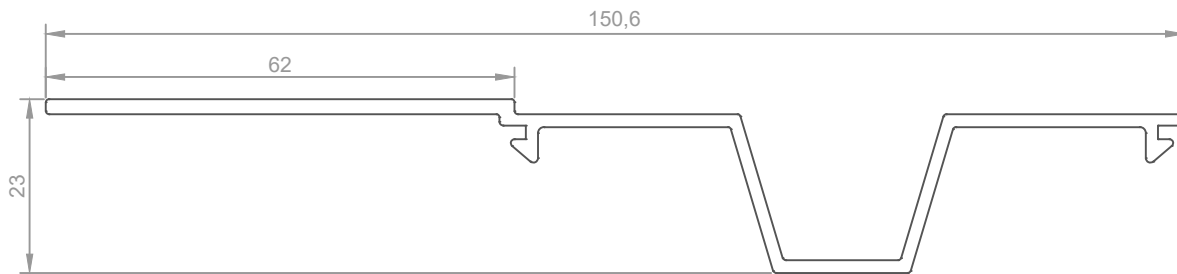
Miscellaneous Framing Profiles



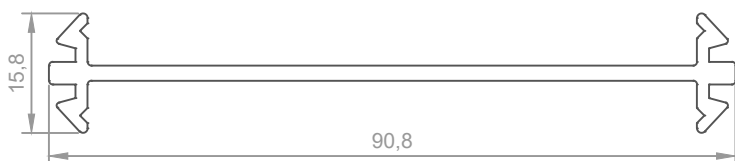
REVEAL ADAPTER	
Part no.	Length
CA430	6500



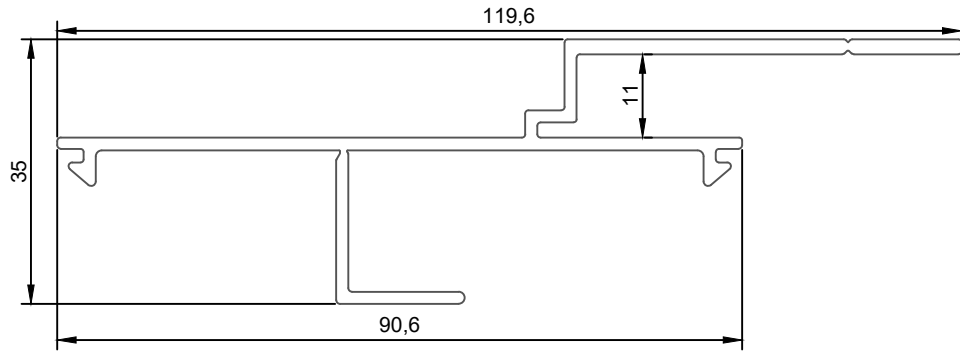
REVEAL ADAPTER	
Part no.	Length
CA490	6500



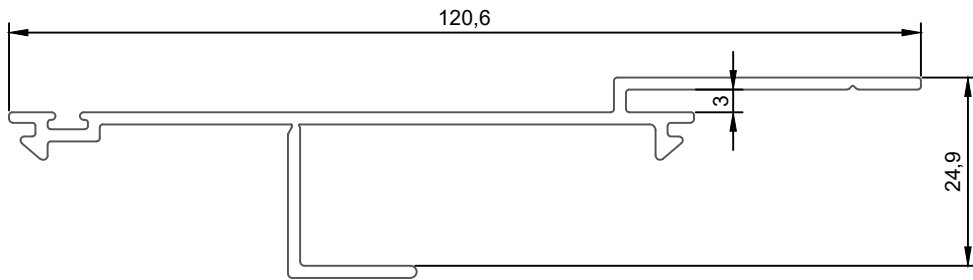
EXTENDED FIXING ADAPTER	
Part no.	Length
CA451	6500



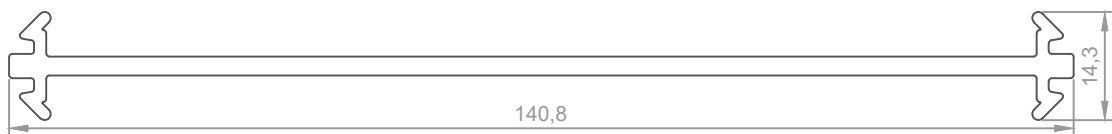
BACK TO BACK ADAPTER	
Part no.	Length
CA465	6500



PLASTER JAMB REVEAL ADAPTER	
Part no.	Length
CA450	6500

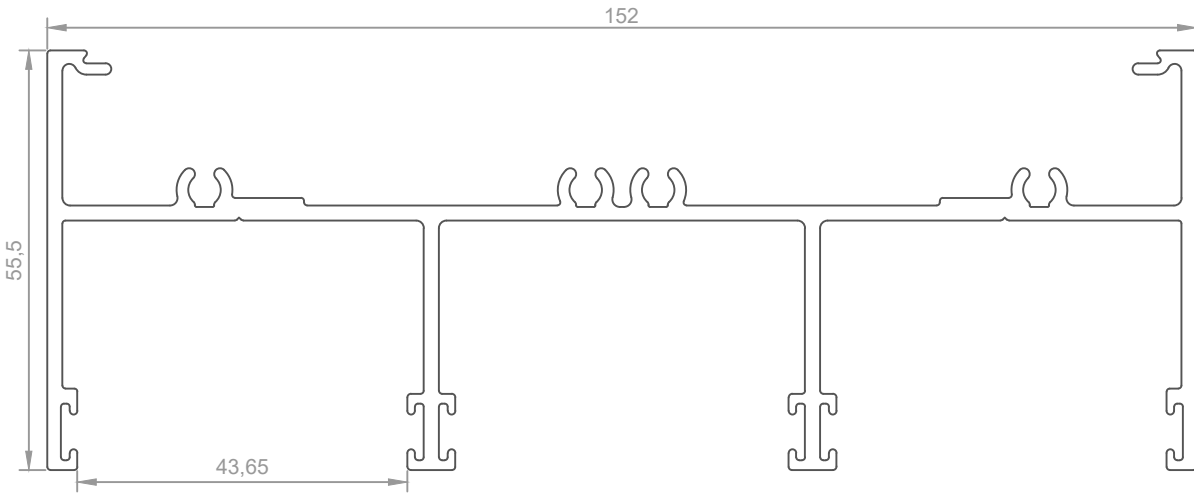


EZYJAMB REVEAL ADAPTER	
Part no.	Length
CA493	6500

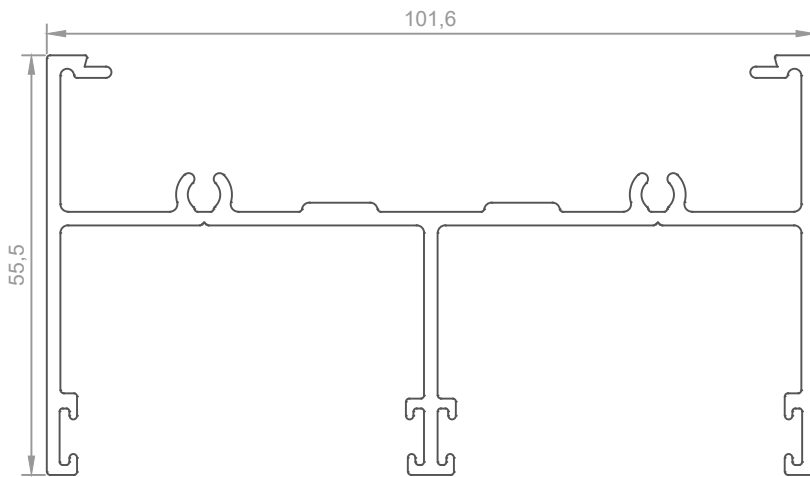


150MM BACK TO BACK ADAPTER	
Part no.	Length
DF620	6500

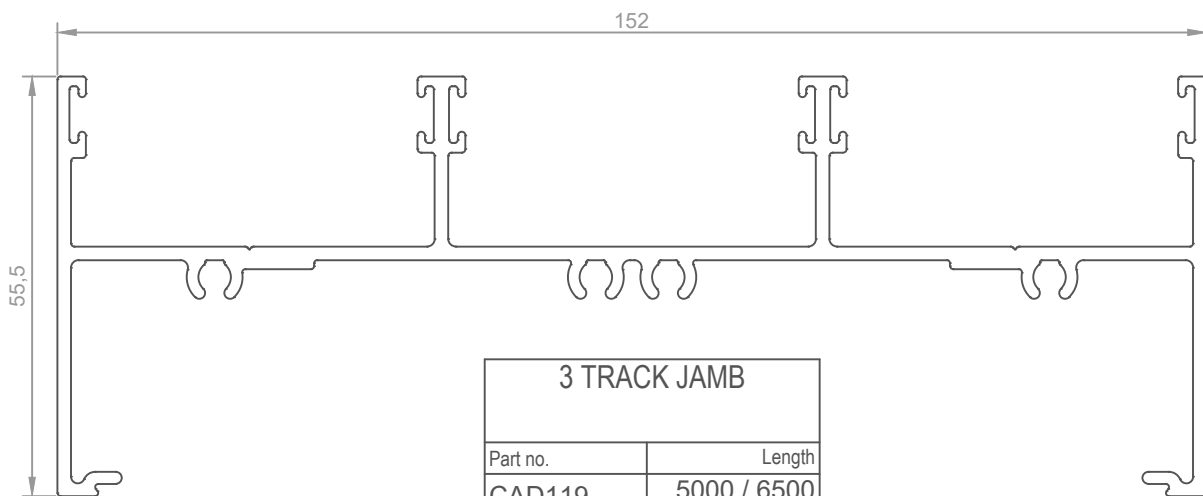
Titan Apartment Door



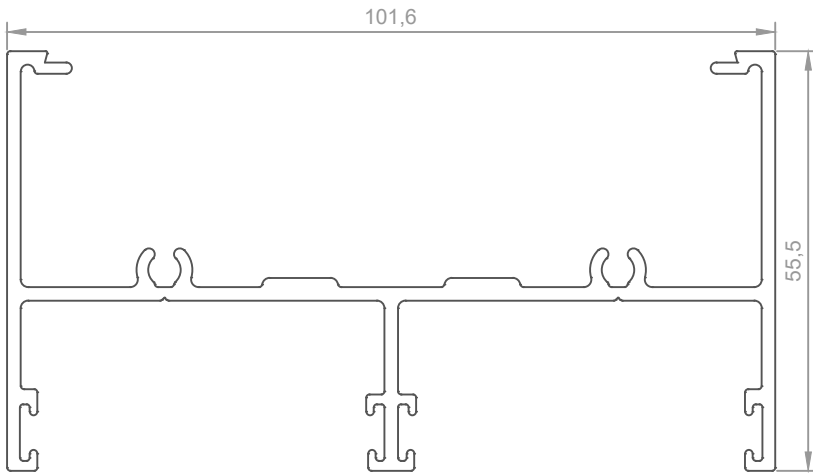
3 TRACK HEAD	
Part no.	Length
CAD130	6500



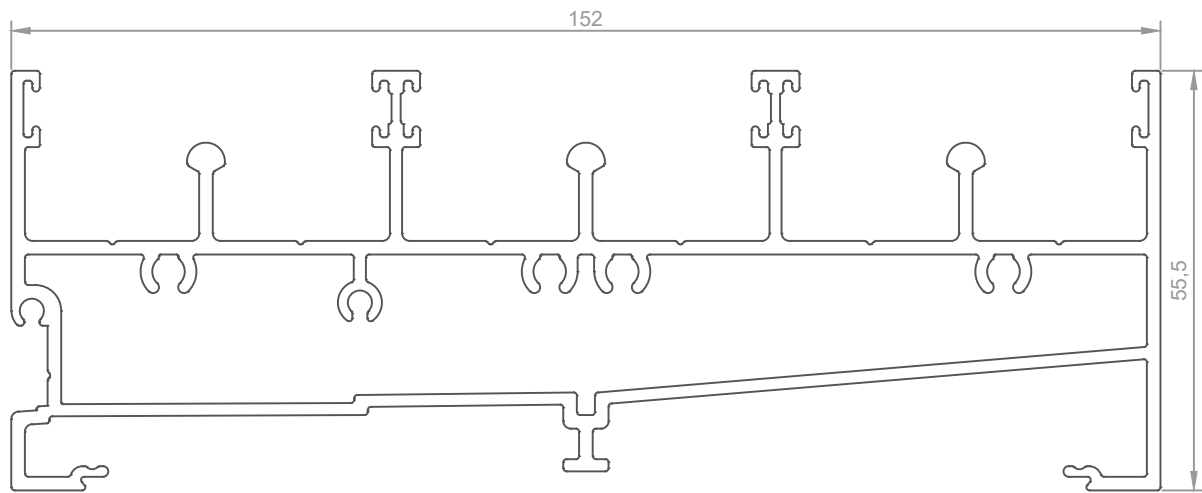
2 TRACK HEAD	
Part no.	Length
CAD160	6500



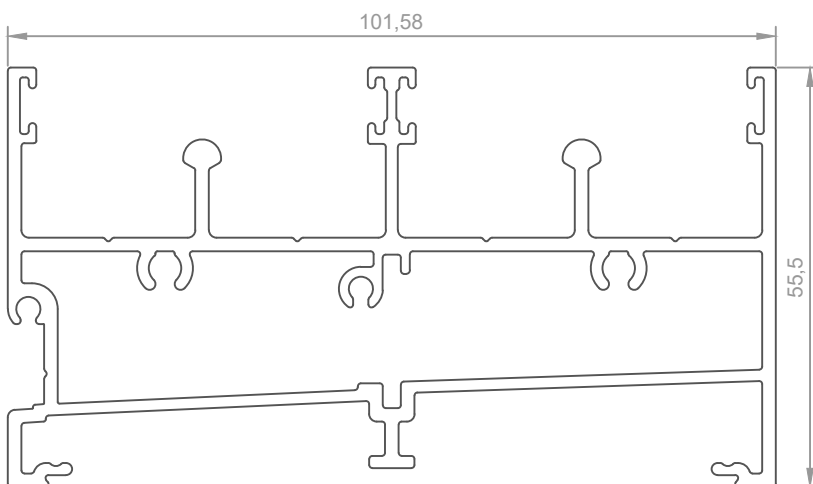
3 TRACK JAMB	
Part no.	Length
CAD119	5000 / 6500



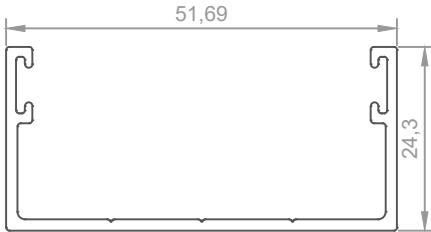
2 TRACK JAMB	
Part no.	Length
CAD161	5000 / 6500



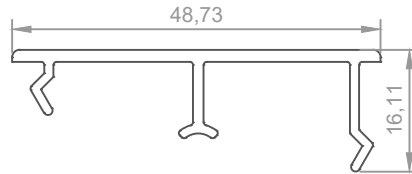
3 TRACK SILL	
Part no.	Length
CAD136	6500



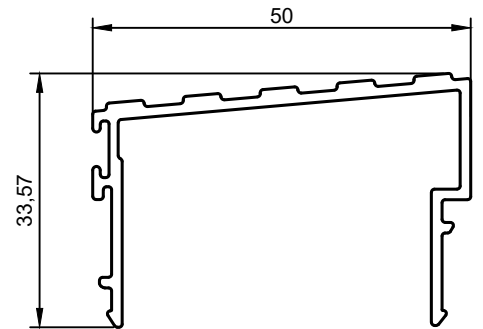
2 TRACK SILL	
Part no.	Length
CAD132	6500



APARTMENT DOOR CHANNEL	
Part no.	Length
CAD112	6500



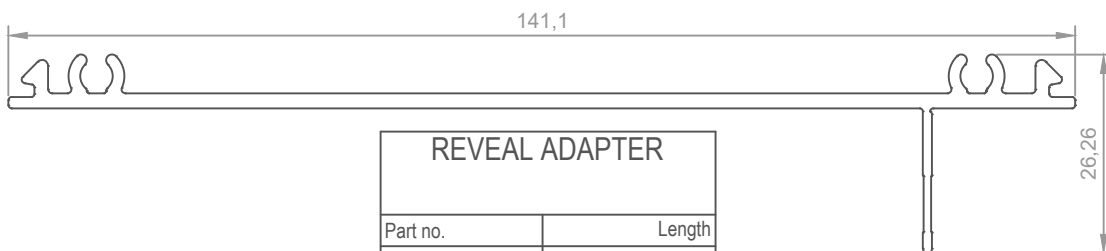
THRESHOLD COVER	
Part no.	Length
CAD138	6500



INTERMEDIATE THRESHOLD COVER	
Part no.	Length
CAD137	6500

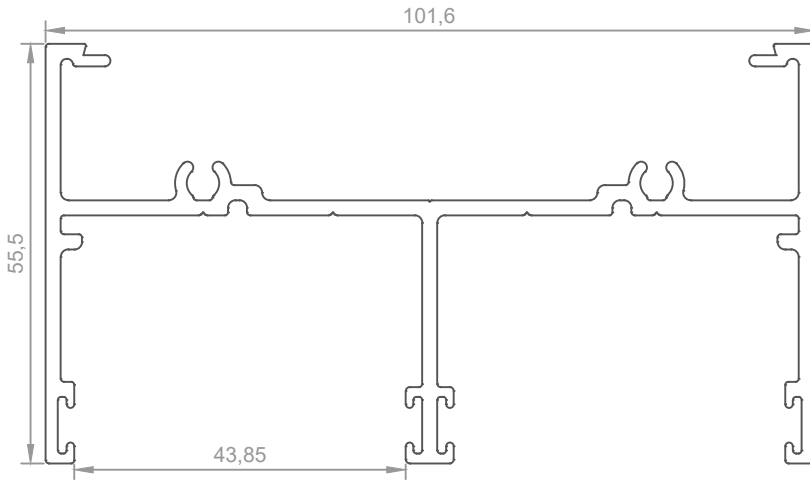


132MM FLAT FILLER	
Part no.	Length
CA805	6500

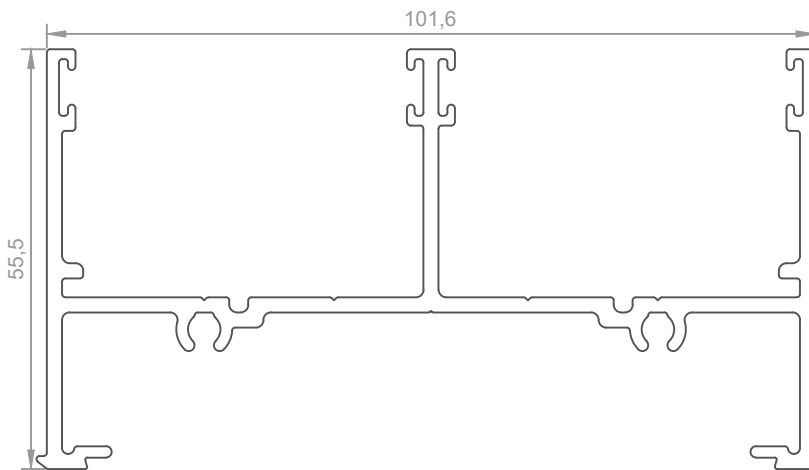


REVEAL ADAPTER	
Part no.	Length
CAD019	6500

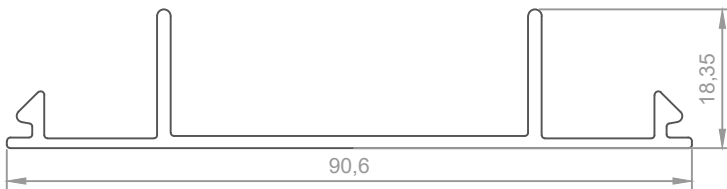
Ultramax Apartment Door



2 TRACK HEAD	
Part no.	Length
CAD020	6500



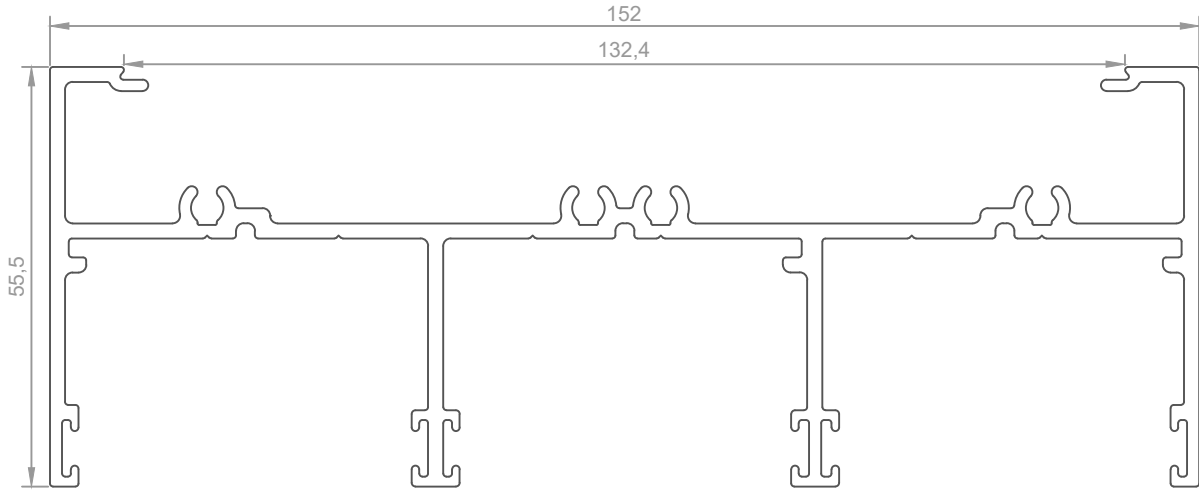
2 TRACK SLOTTED SILL	
Part no.	Length
CAD027	6500



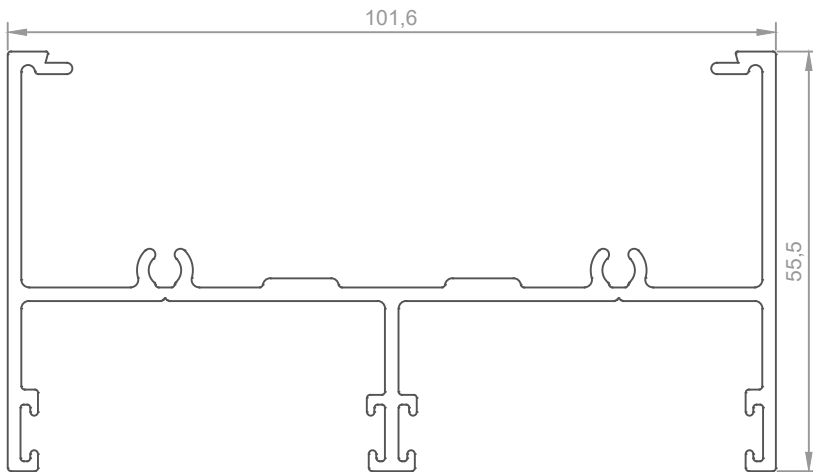
2 TRACK SILL SUPPORT	
Part no.	Length
CAD021	6500

IMPORTANT NOTICE

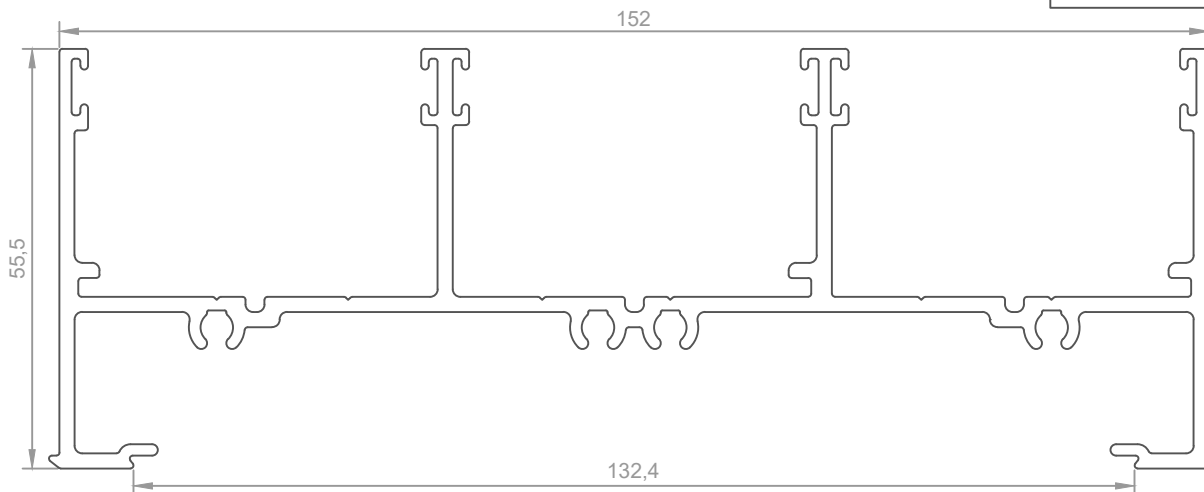
THIS DRAWING AND THE DESIGN SHOWN IS THE INTELLECTUAL PROPERTY OF
CONCEPT ARCHITECTURAL SYSTEMS AND IS PROTECTED BY COPYRIGHT. THIS DRAWING MAY NOT BE
COPIED OR DISTRIBUTED WITHOUT THE WRITTEN CONSENT OF CONCEPT ARCHITECTURAL SYSTEMS ©



3 TRACK HEAD	
Part no.	Length
CAD022	6500



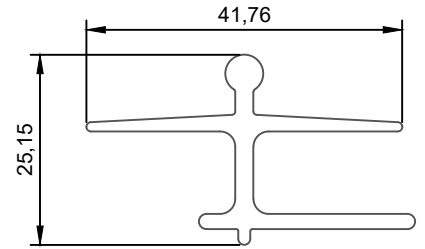
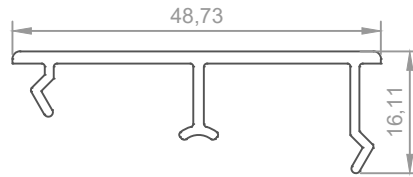
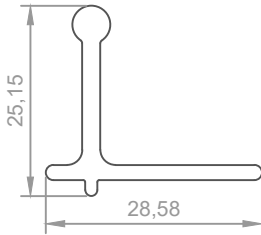
2 TRACK JAMB	
Part no.	Length
CAD161	5000 / 6500



3 TRACK SLOTTED SILL	
Part no.	Length
CAD028	6500



3 TRACK SILL SUPPORT	
Part no.	Length
CAD023	6500



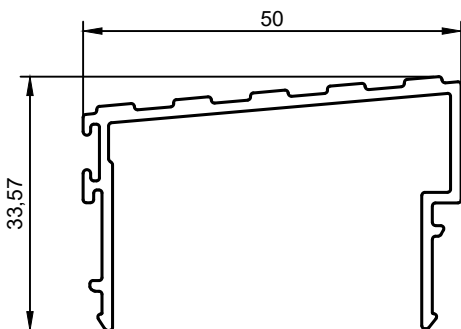
DROP IN TRACK	
Part no.	Length
CAD024	6500

THRESHOLD COVER	
Part no.	Length
CAD138	6500

DROP IN RUNNER	
Part no.	Length
CAD042	6500

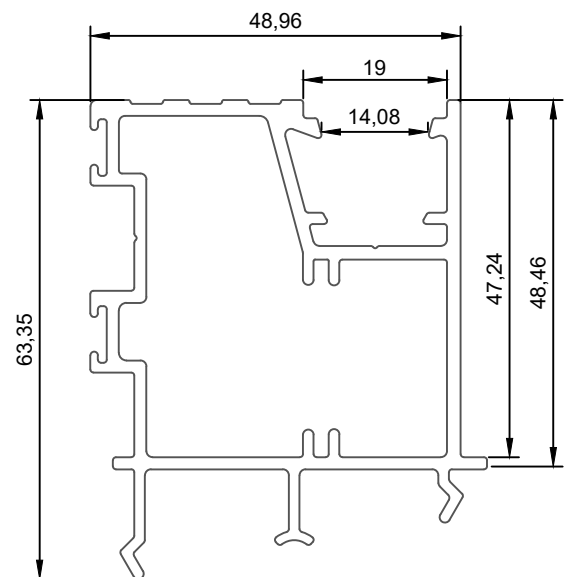


132MM FLAT FILLER	
Part no.	Length
CA805	6500

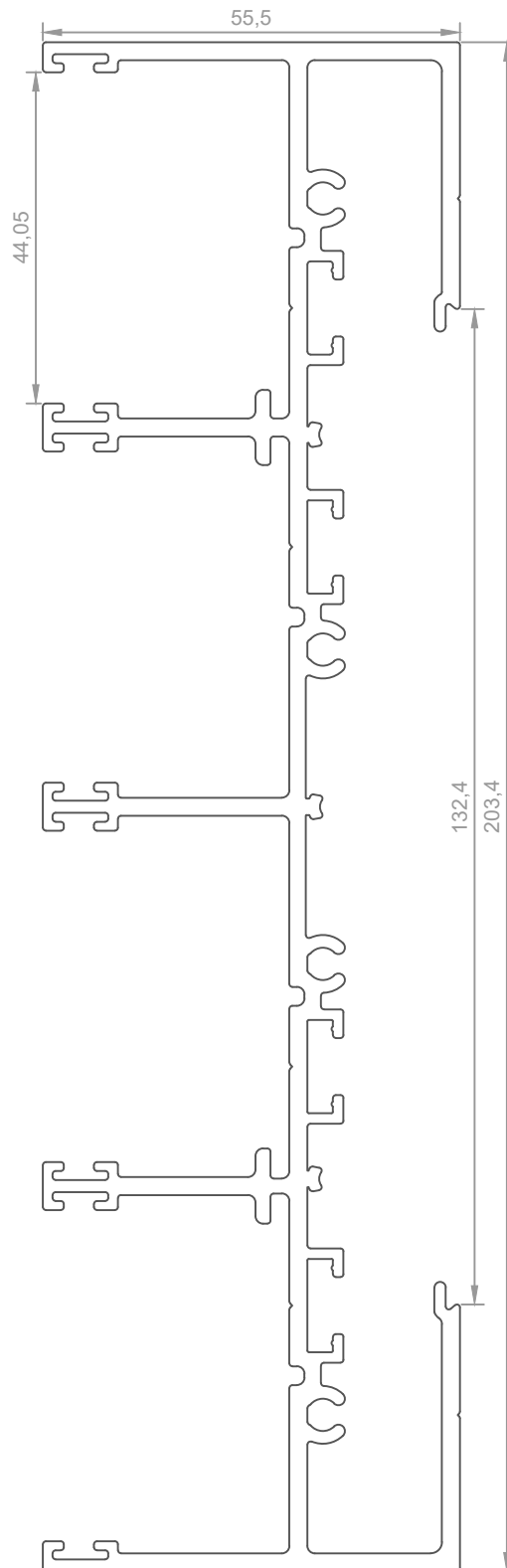


INTERMEDIATE THRESHOLD COVER	
Part no.	Length
CAD137	6500

HP THRESHOLD	
Part no.	Length
CAD139	6500



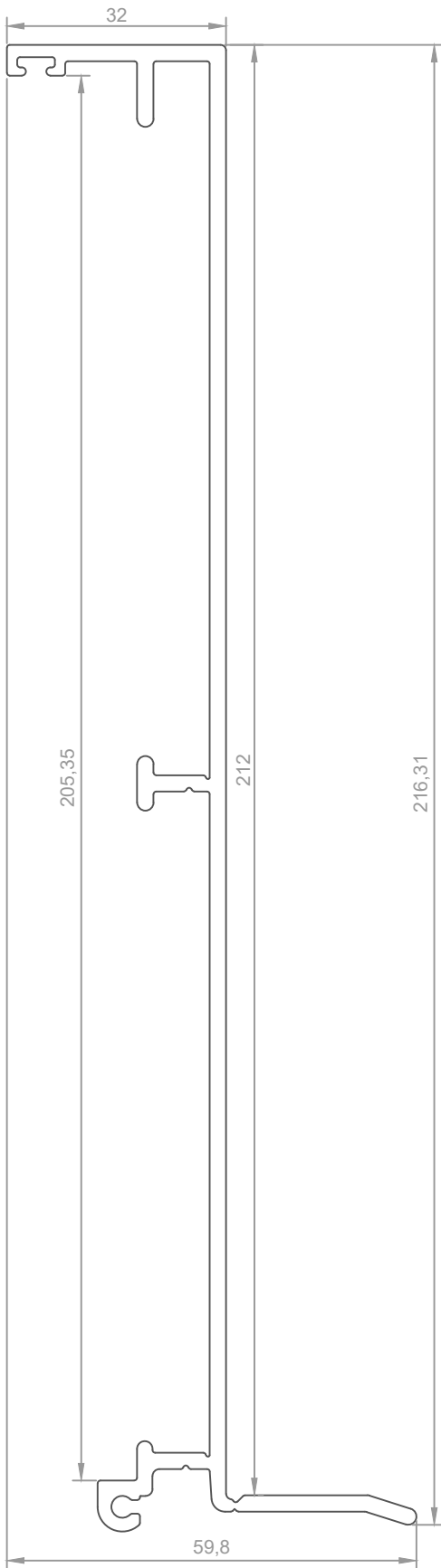
4-Track Apartment Door



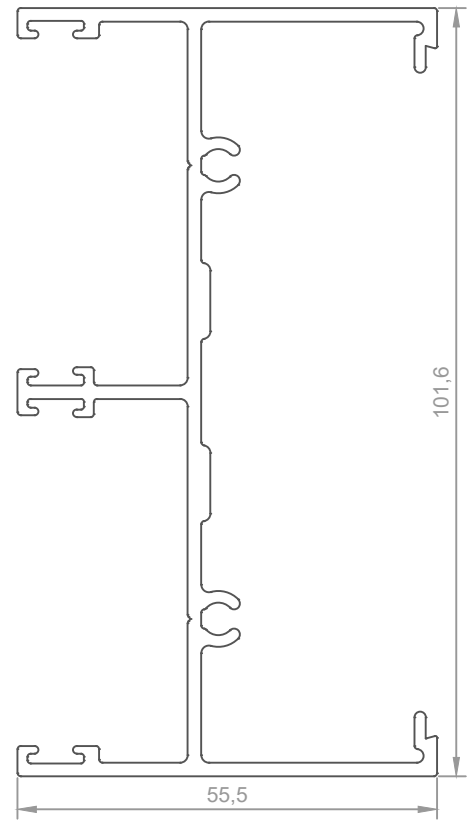
4 TRACK HEAD/SILL	
Part no.	Length
CAD040	6500

IMPORTANT NOTICE

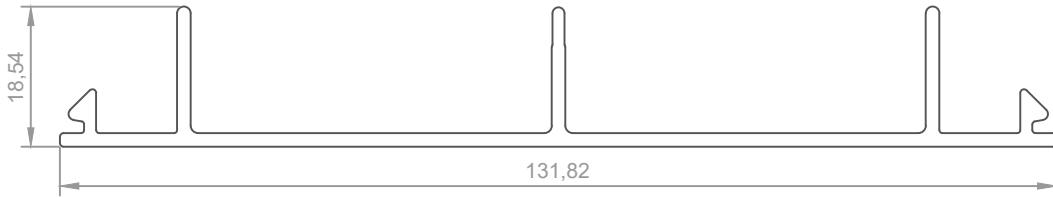
THIS DRAWING AND THE DESIGN SHOWN IS THE INTELLECTUAL PROPERTY OF CONCEPT ARCHITECTURAL SYSTEMS AND IS PROTECTED BY COPYRIGHT. THIS DRAWING MAY NOT BE COPIED OR DISTRIBUTED WITHOUT THE WRITTEN CONSENT OF CONCEPT ARCHITECTURAL SYSTEMS ©



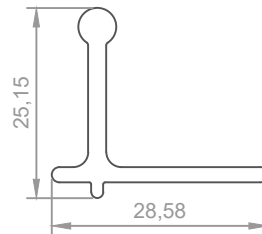
200MM SLOTTED SUBSILL	
Part no.	Length
SS6	6500



2 TRACK JAMB	
Part no.	Length
CAD161	5000 / 6500



3 TRACK SILL SUPPORT	
Part no.	Length
CAD023	6500

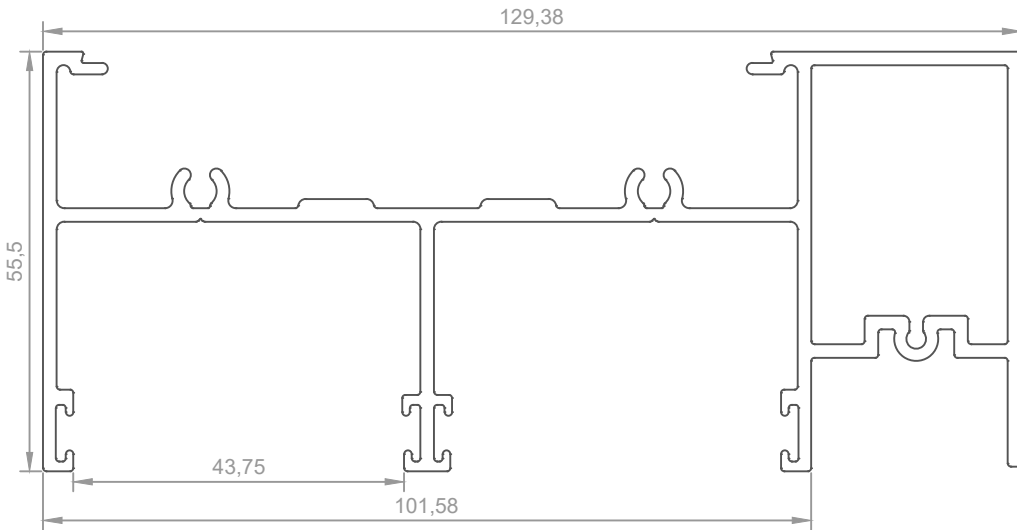


DROP IN TRACK	
Part no.	Length
CAD024	6500

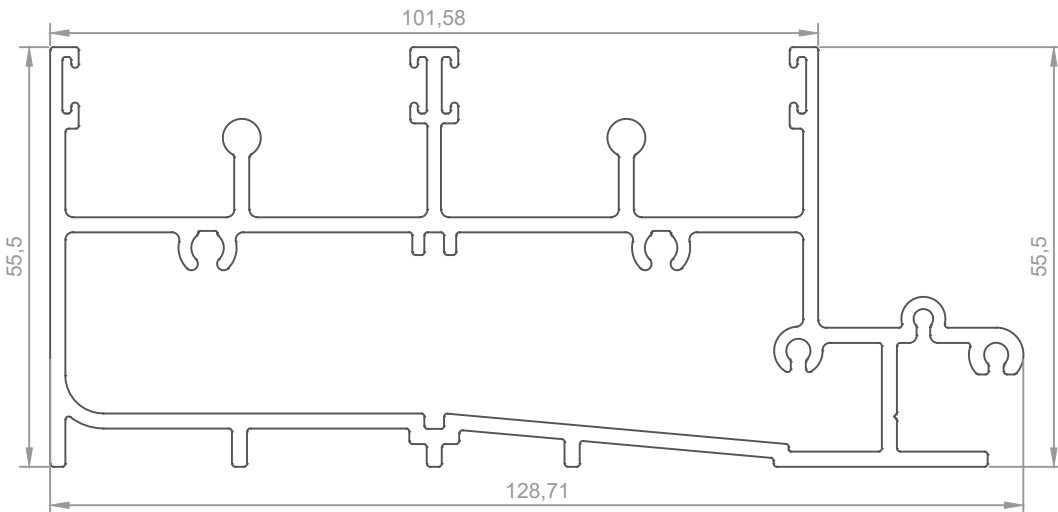


132MM FLAT FILLER	
Part no.	Length
CA805	6500

Built-In FlyTrack Apartment Door

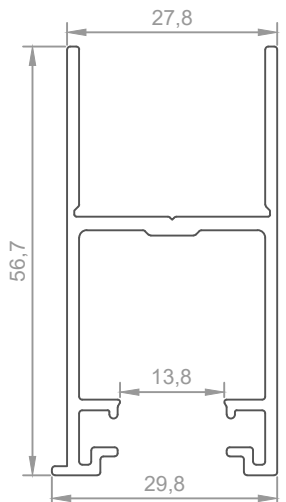


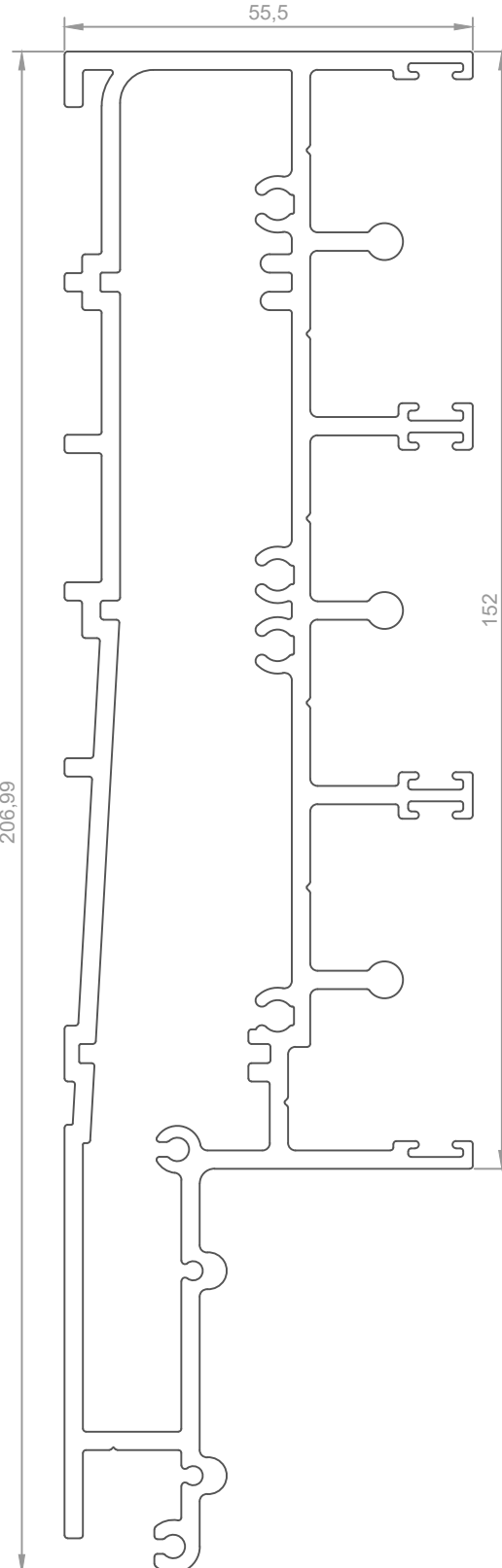
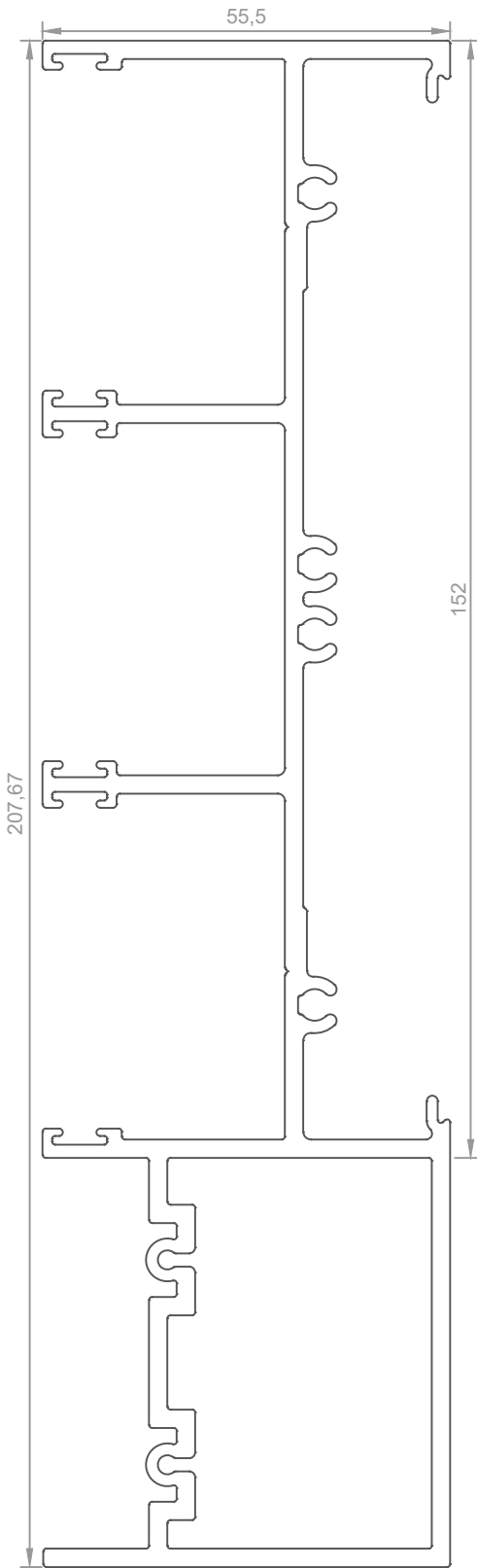
2 TRACK HEAD WITH FLY TRACK	
Part no.	Length
CAD169	4500 / 6500



2 TRACK SILL WITH FLY TRACK	
Part no.	Length
CAD167	4500 / 6500

FLY DOOR JAMB	
Part no.	Length
CAD171	6500





3 TRACK HEAD WITH FLY TRACK

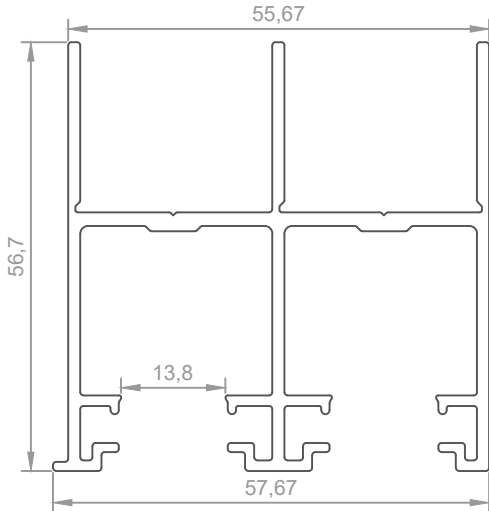
Part no.	Length
CAD170	4500 / 6500

3 TRACK SILL WITH FLY TRACK

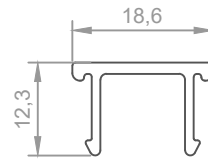
Part no.	Length
CAD168	4500 / 6500

IMPORTANT NOTICE

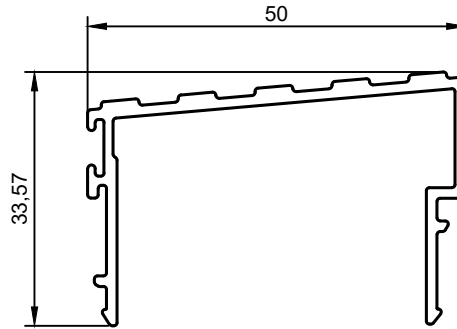
THIS DRAWING AND THE DESIGN SHOWN IS THE INTELLECTUAL PROPERTY OF CONCEPT ARCHITECTURAL SYSTEMS AND IS PROTECTED BY COPYRIGHT. THIS DRAWING MAY NOT BE COPIED OR DISTRIBUTED WITHOUT THE WRITTEN CONSENT OF CONCEPT ARCHITECTURAL SYSTEMS ©



DOUBLE FLY DOOR JAMB	
Part no.	Length
CAD172	6500



POCKET FILLER	
Part no.	Length
CA305	6500

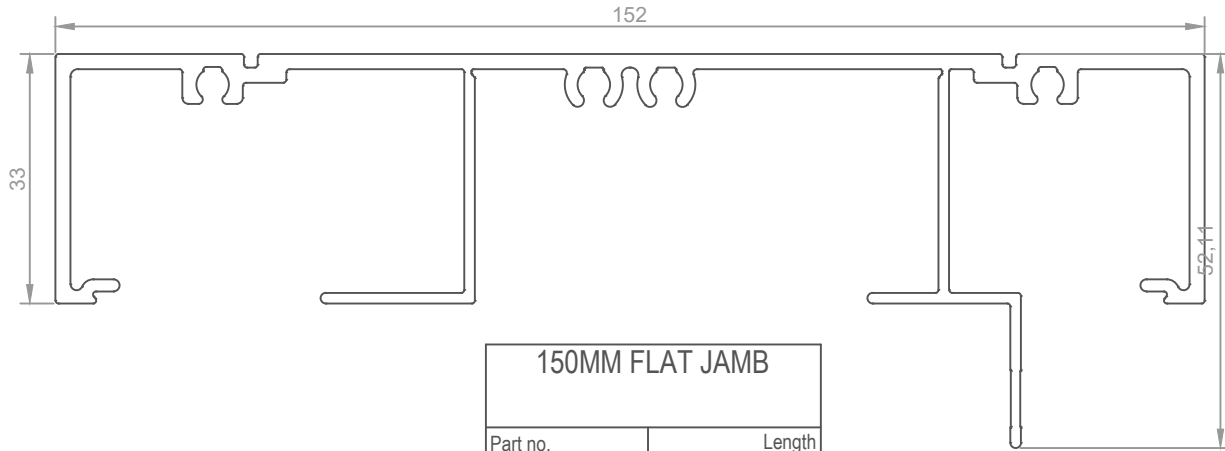


INTERMEDIATE THRESHOLD COVER	
Part no.	Length
CAD137	6500

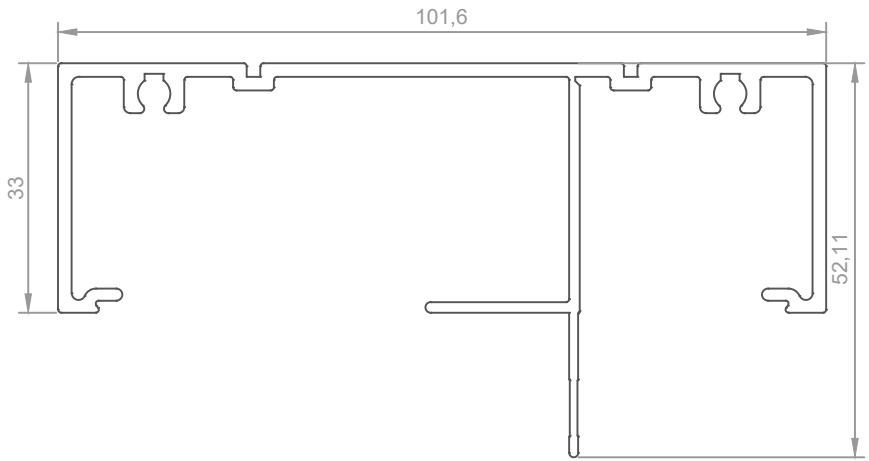
IMPORTANT NOTICE

THIS DRAWING AND THE DESIGN SHOWN IS THE INTELLECTUAL PROPERTY OF
CONCEPT ARCHITECTURAL SYSTEMS AND IS PROTECTED BY COPYRIGHT. THIS DRAWING MAY NOT BE
 COPIED OR DISTRIBUTED WITHOUT THE WRITTEN CONSENT OF **CONCEPT ARCHITECTURAL SYSTEMS** ©

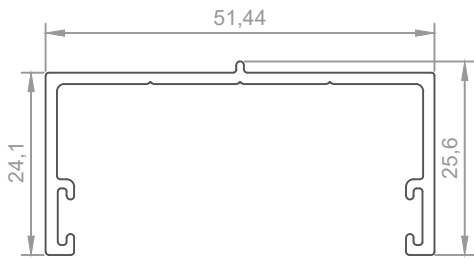
Flat Jamb FlyTrack Apartment Door



150MM FLAT JAMB	
Part no.	Length
CAD162	6500

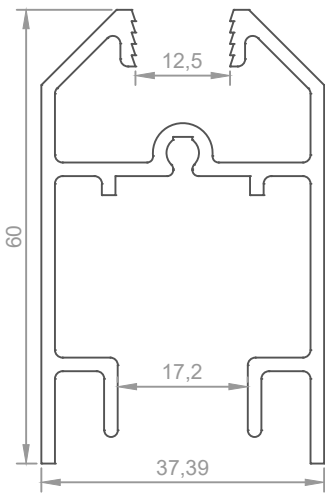


100MM FLAT JAMB	
Part no.	Length
CAD163	6500

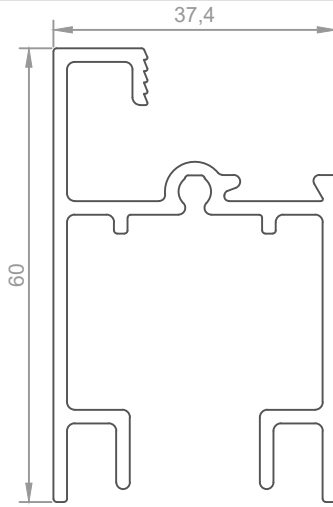


RIDGED APARTMENT DOOR CHANNEL	
Part no.	Length
CAD113	6500

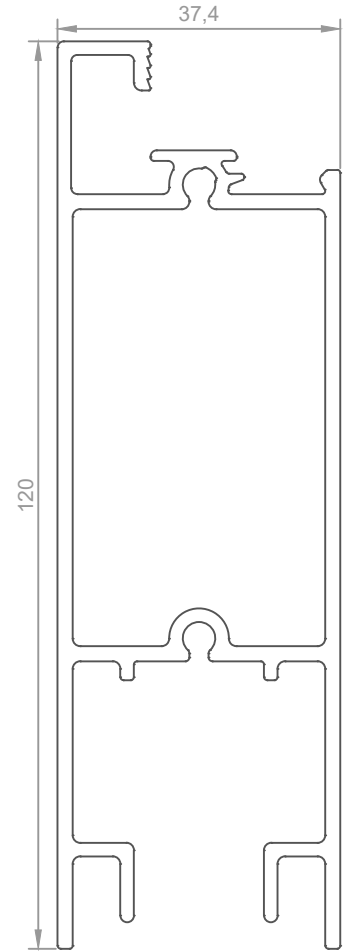
Apartment Door Panels



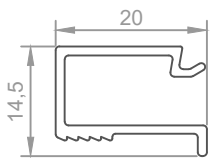
SINGLE GLAZED BEVELLED DOOR RAIL	
Part no.	Length
CAD005	6500



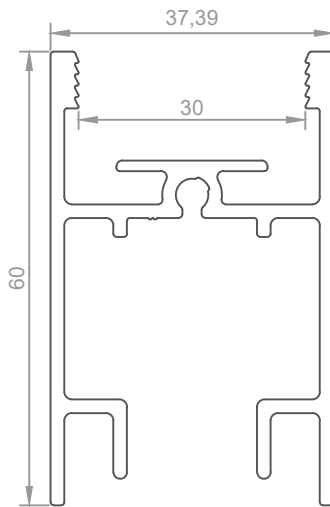
SINGLE GLAZED BEADED RAIL	
Part no.	Length
CAD114	6500



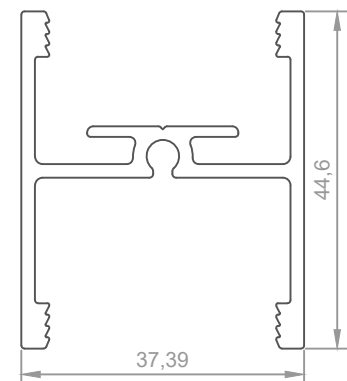
WIDE SINGLE GLAZED BEADED RAIL	
Part no.	Length
CAD143	6500



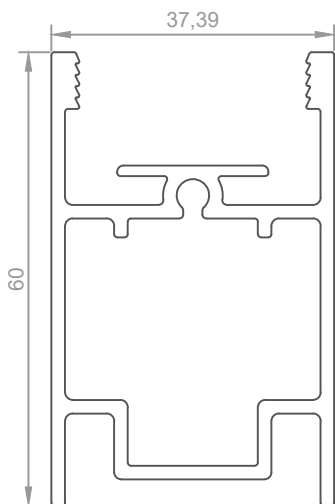
SINGLE GLAZED BEAD	
Part no.	Length
CAD115	6500



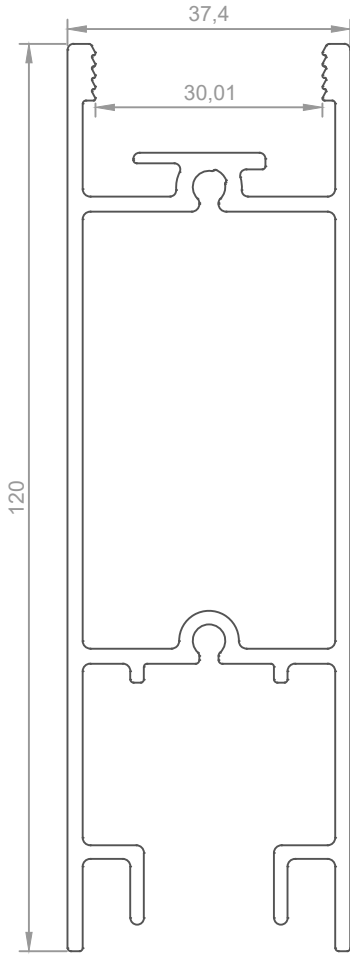
DOUBLE GLAZED RAIL	
Part no.	Length
CAD118	6500



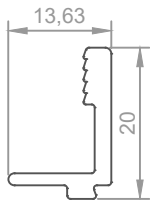
APARTMENT DOOR MIDRAIL	
Part no.	Length
CAD120	6500



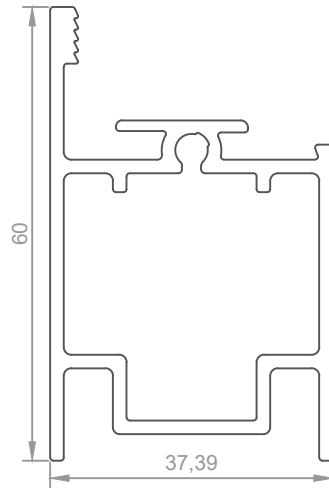
DOUBLE GLAZED BOXED RAIL	
Part no.	Length
CAD025	6500



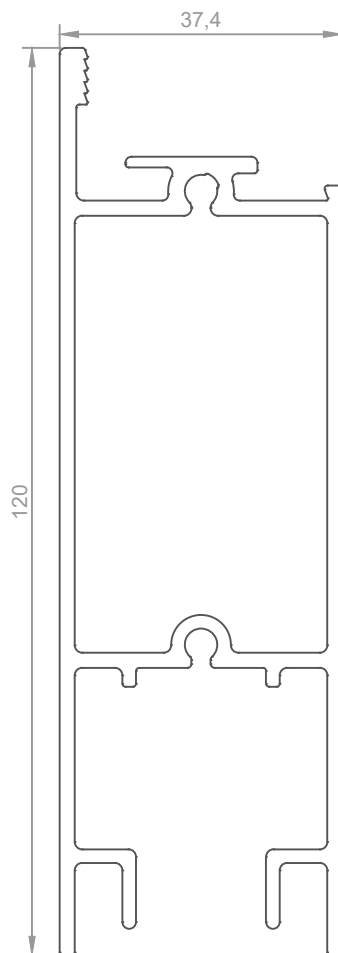
WIDE DOUBLE GLAZED RAIL	
Part no.	Length
CAD142	6500



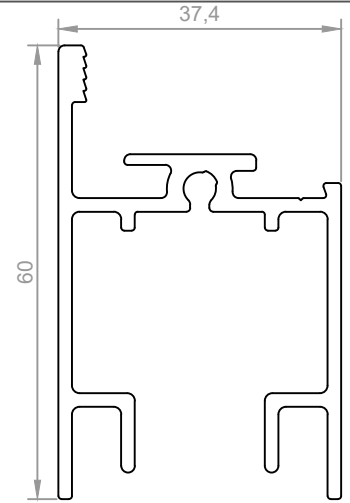
DOUBLE GLAZED BEAD	
Part no.	Length
CAD127	6500



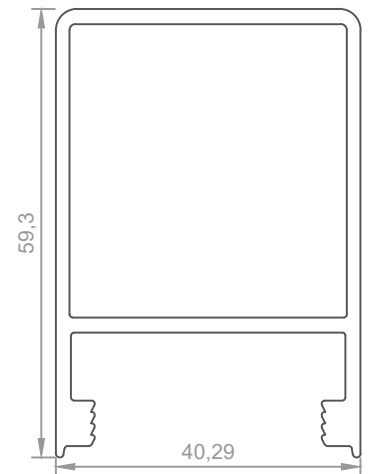
DOUBLE GLAZED BEADED RAIL	
Part no.	Length
CAD026	6500



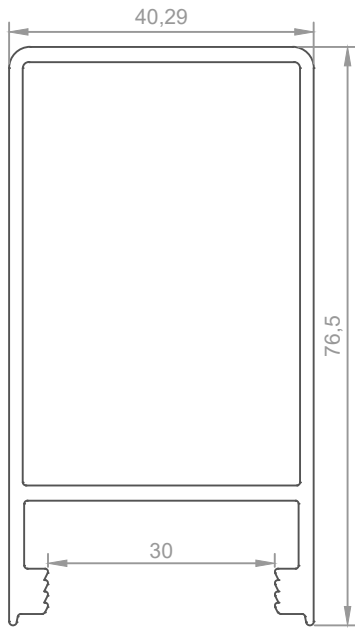
WIDE DOUBLE GLAZED BEADED RAIL	
Part no.	Length
CAD144	6500



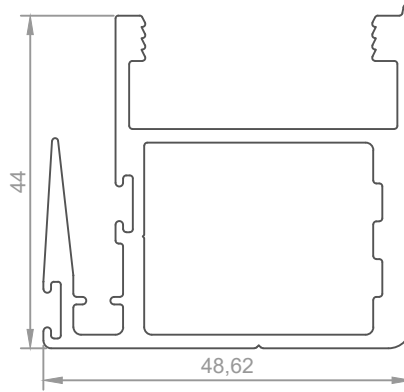
150KG DOUBLE GLAZED BEADED RAIL	
Part no.	Length
CAD126	6500



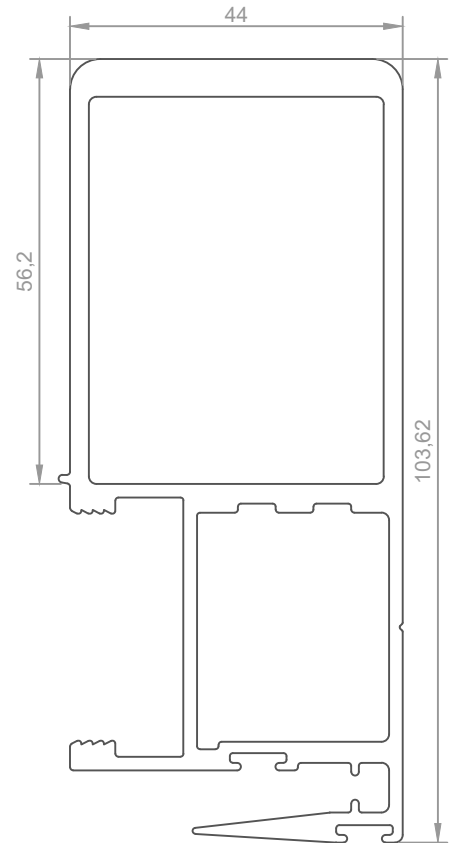
DOUBLE GLAZED LOCK STILE	
Part no.	Length
CAD150	5000 / 6500



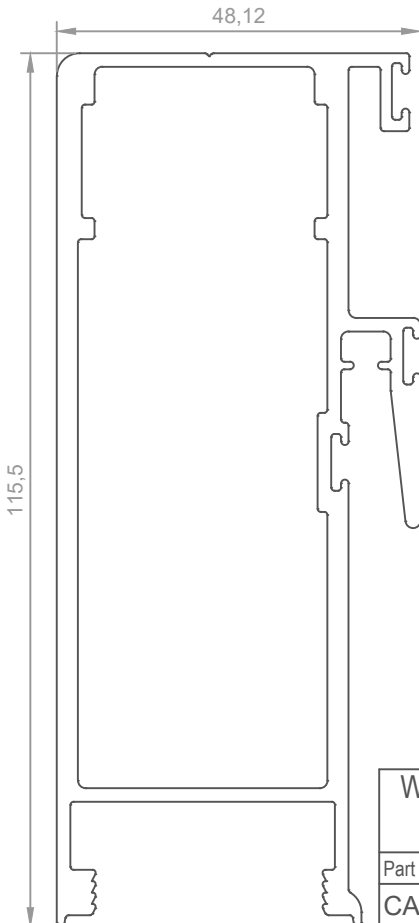
DOUBLE GLAZED LOCK STILE	
Part no.	Length
CAD152	6500



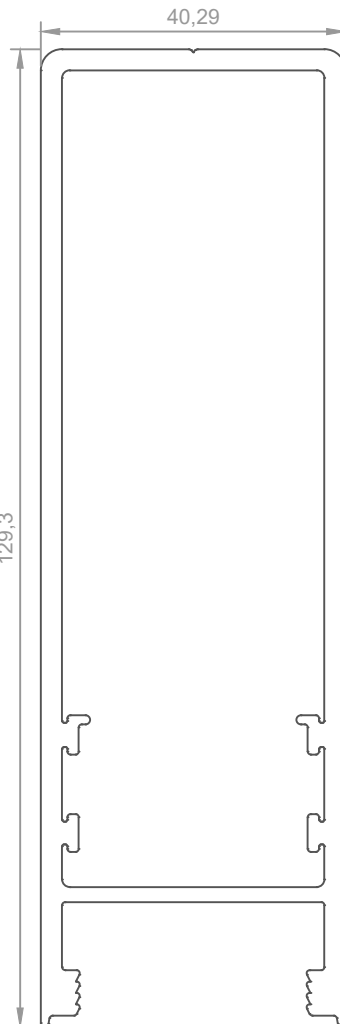
DOUBLE GLAZED INTERLOCK	
Part no.	Length
CAD151	5000 / 6500



HEAVY DUTY DOUBLE GLAZED INTERLOCK	
Part no.	Length
CAD124	6500



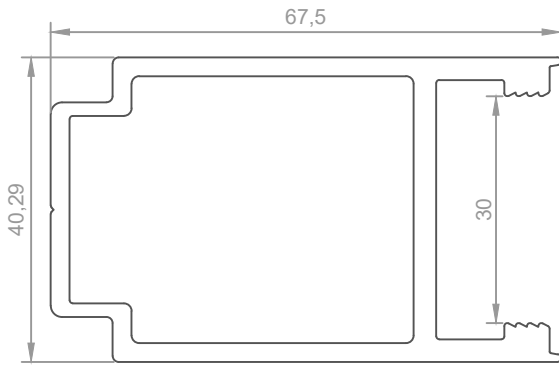
WIDE DOUBLE GLAZED INTERLOCK	
Part no.	Length
CAD148	6500



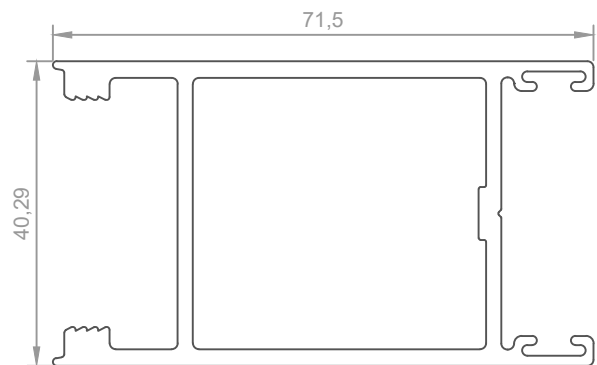
WIDE DOUBLE GLAZED LOCK STILE	
Part no.	Length
CAD146	6500

IMPORTANT NOTICE

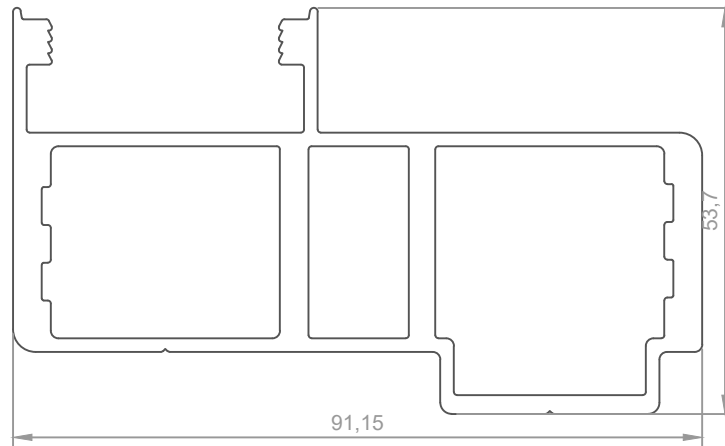
THIS DRAWING AND THE DESIGN SHOWN IS THE INTELLECTUAL PROPERTY OF CONCEPT ARCHITECTURAL SYSTEMS AND IS PROTECTED BY COPYRIGHT. THIS DRAWING MAY NOT BE COPIED OR DISTRIBUTED WITHOUT THE WRITTEN CONSENT OF CONCEPT ARCHITECTURAL SYSTEMS ©



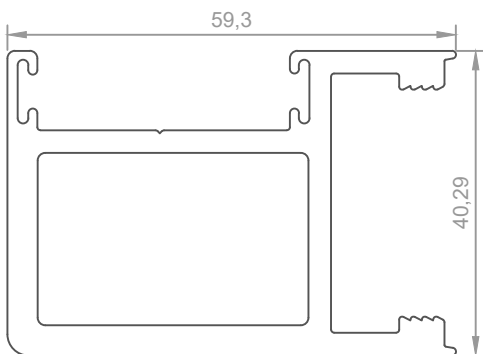
DOUBLE GLAZED MATING STILE	
Part no.	Length
CAD156	6500



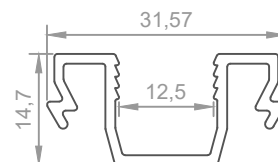
DOUBLE GLAZED MEETING STILE	
Part no.	Length
CAD157	6500



3 PANEL ADAPTER	
Part no.	Length
CAD018	6500

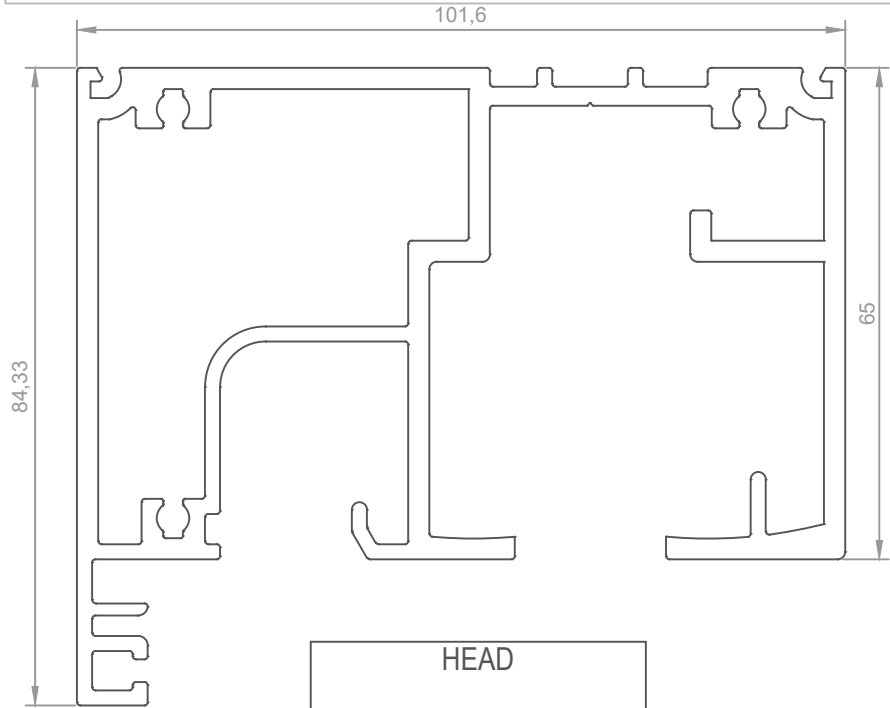


FEMALE CORNER LOCK STILE	
Part no.	Length
CAD165	3000

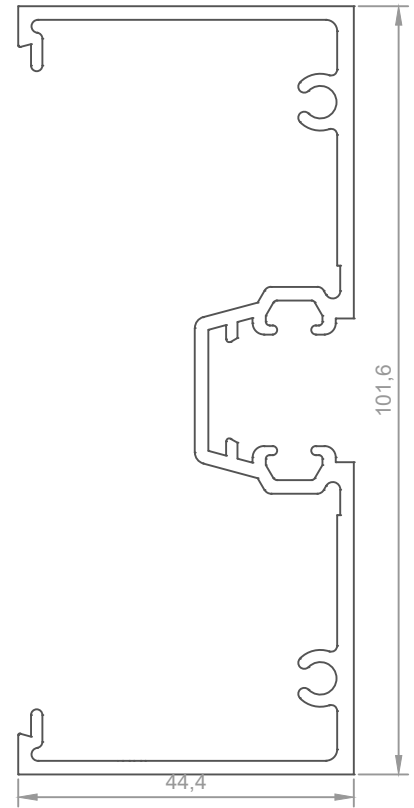


POCKET ADAPTER	
Part no.	Length
CAD164	6500

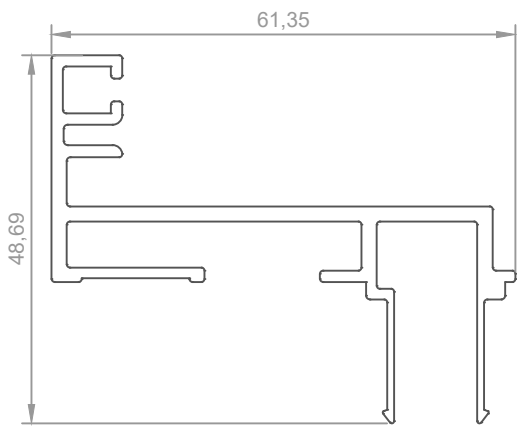
Windsor Bi-Fold



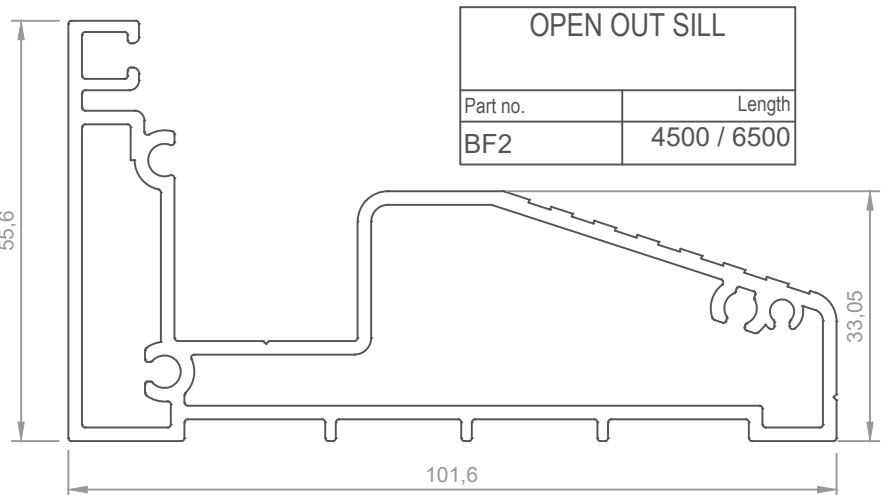
HEAD	
Part no.	Length
BF1	6500 / 4500



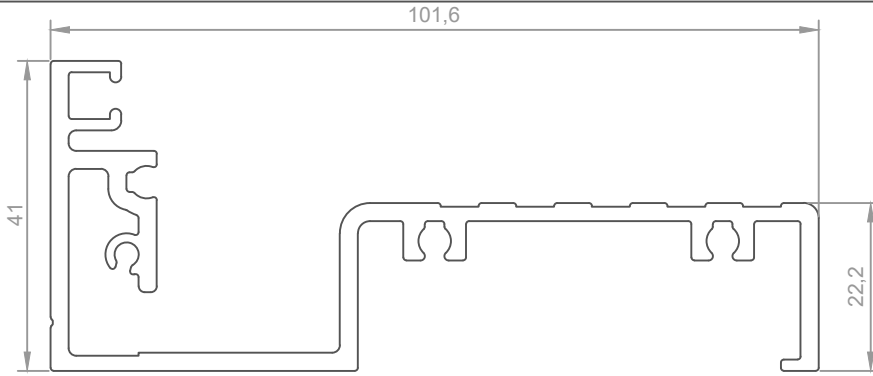
FRAME	
Part no.	Length
CA460	6500



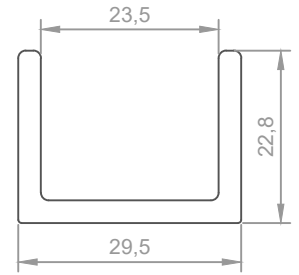
DOOR STOP	
Part no.	Length
BF3	6500



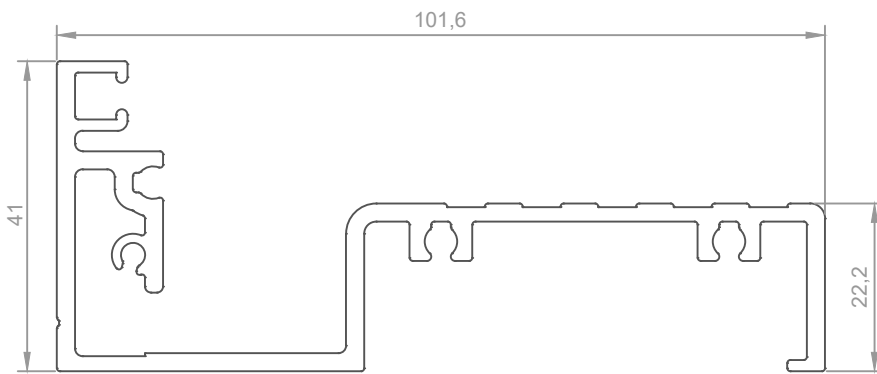
OPEN OUT SILL	
Part no.	Length
BF2	4500 / 6500



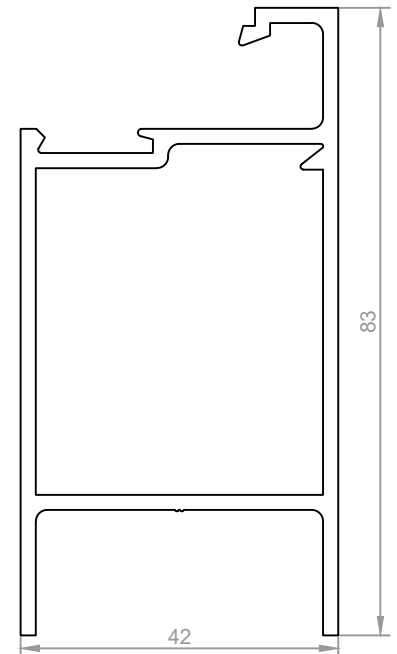
OPEN IN SILL	
Part no.	Length
BF10	6500



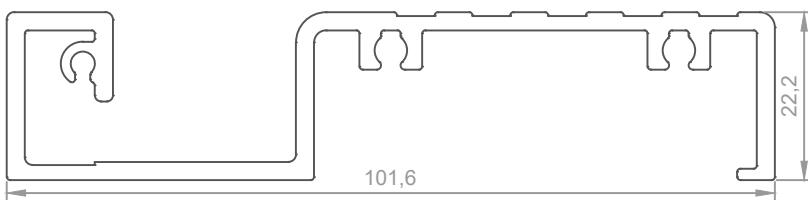
CHANNEL SILL	
Part no.	Length
BF11	6500



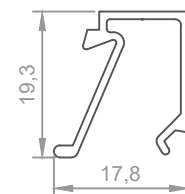
OPEN OUT SILL WITH SUB SILL	
Part no.	Length
BF13	6500



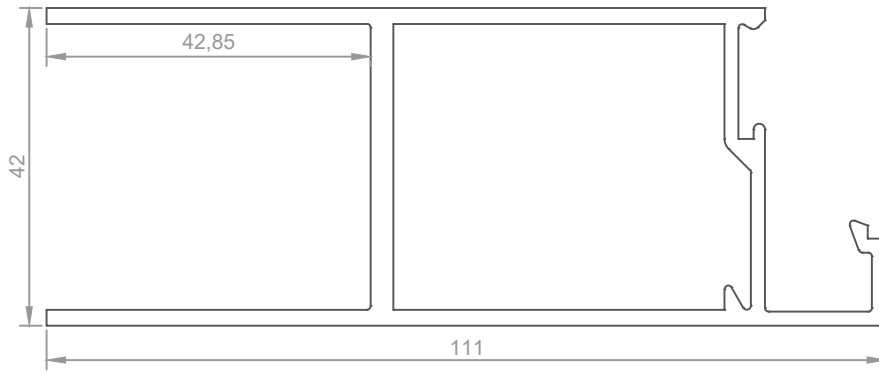
SINGLE GLAZED TOP AND BOTTOM RAIL	
Part no.	Length
CD200	6500



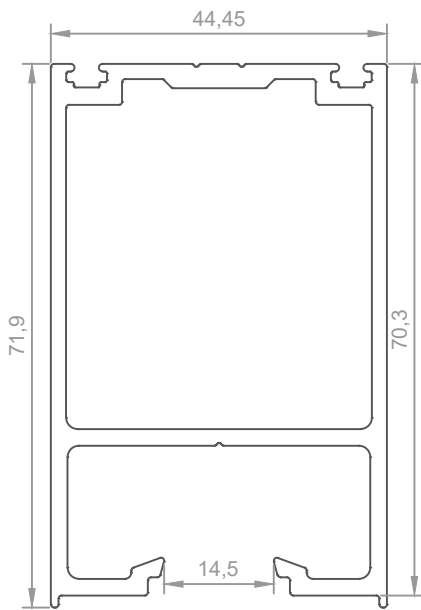
LOW STEP SILL	
Part no.	Length
BF14	6500



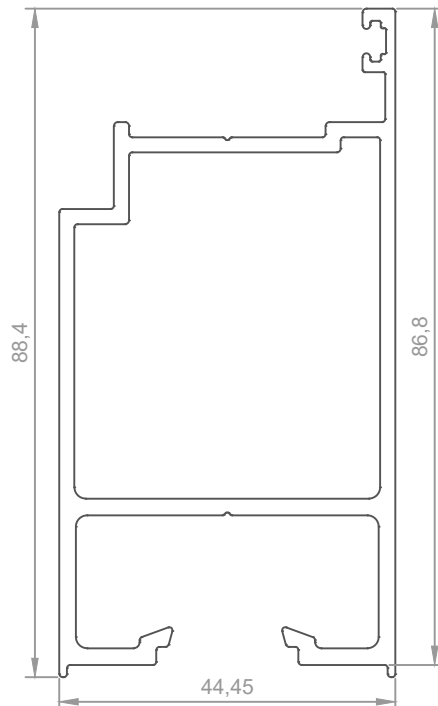
SINGLE GLAZED BEAD	
Part no.	Length
CD202	6500



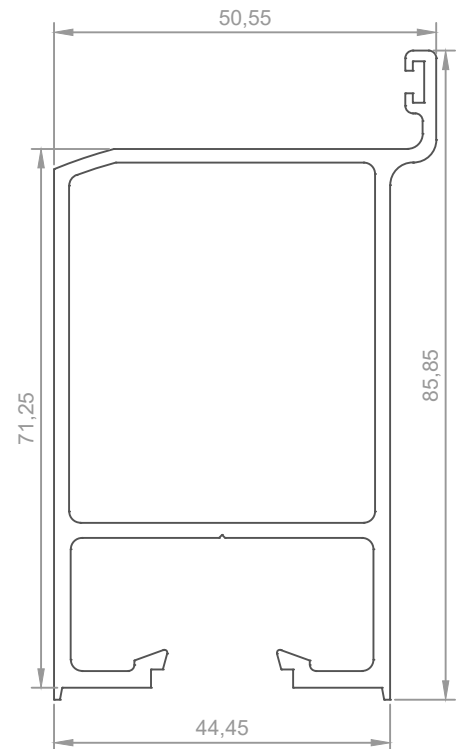
SINGLE GLAZED WIDE BOTTOM RAIL	
Part no.	Length
CD201	6500



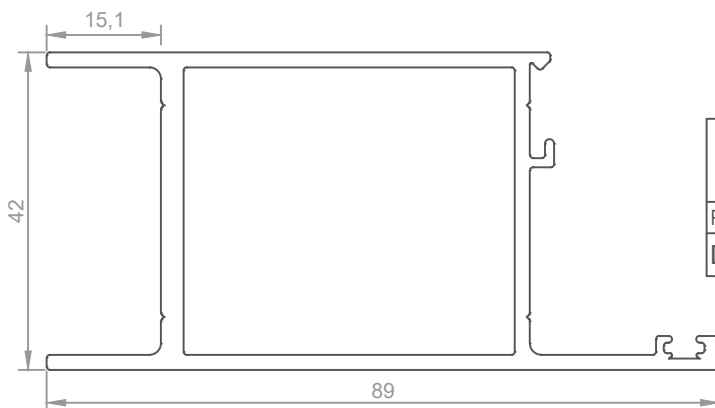
SINGLE GLAZED DOOR STILE	
Part no.	Length
BF4	2800 / 6500



SINGLE GLAZED LOCK STILE	
Part no.	Length
BF5	6500



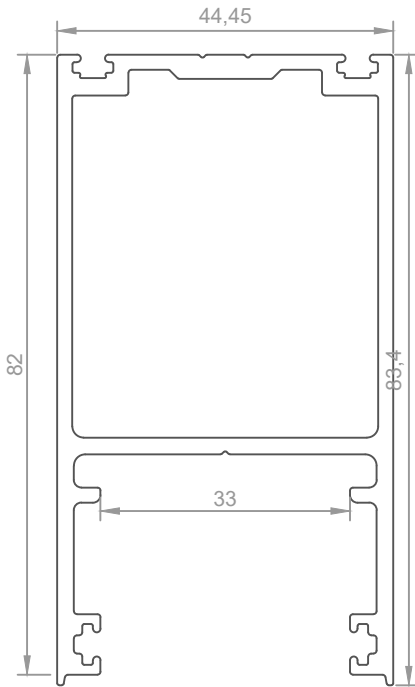
SINGLE GLAZED COVER STILE	
Part no.	Length
CD217	6500



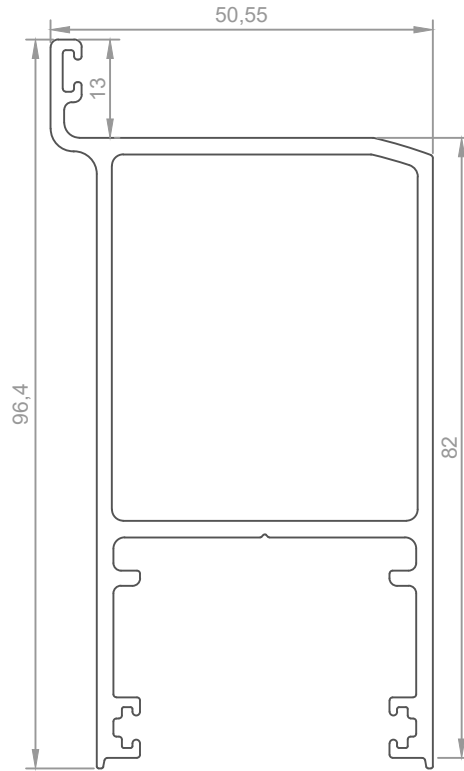
DOUBLE GLAZED RAIL	
Part no.	Length
DG904	6500

IMPORTANT NOTICE

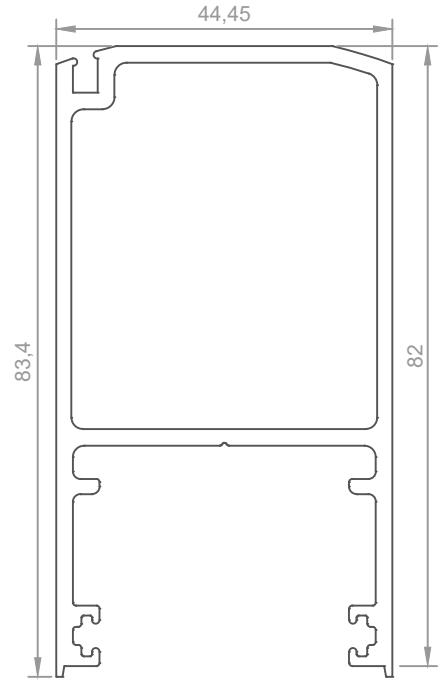
THIS DRAWING AND THE DESIGN SHOWN IS THE INTELLECTUAL PROPERTY OF CONCEPT ARCHITECTURAL SYSTEMS AND IS PROTECTED BY COPYRIGHT. THIS DRAWING MAY NOT BE COPIED OR DISTRIBUTED WITHOUT THE WRITTEN CONSENT OF CONCEPT ARCHITECTURAL SYSTEMS ©



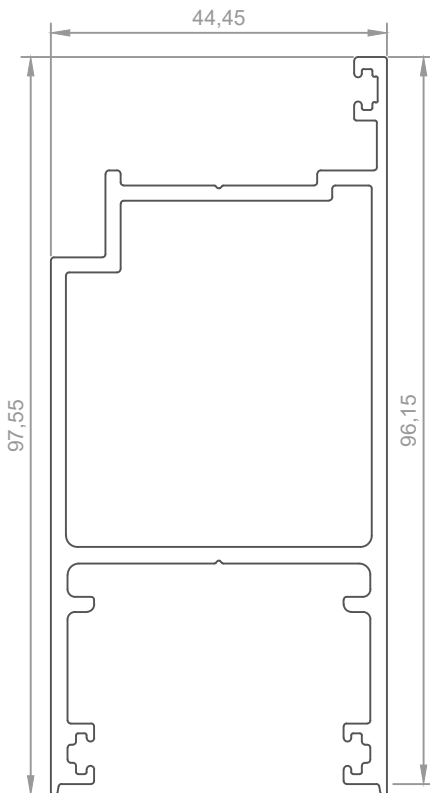
DEEP POCKET BI-FOLD STILE	
Part no.	Length
DG923	2800/6500



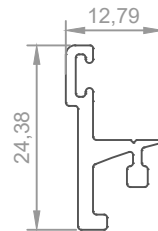
DEEP POCKET COVER STILE	
Part no.	Length
DG925	6500



DEEP POCKET LOCK STILE	
Part no.	Length
DG920	6500

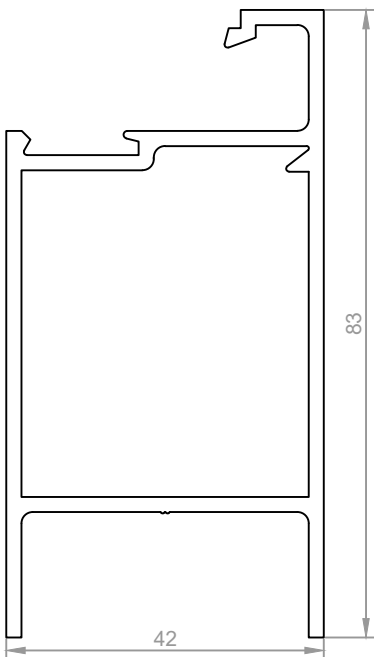


DEEP POCKET SELF MATING STILE	
Part no.	Length
DG922	6500

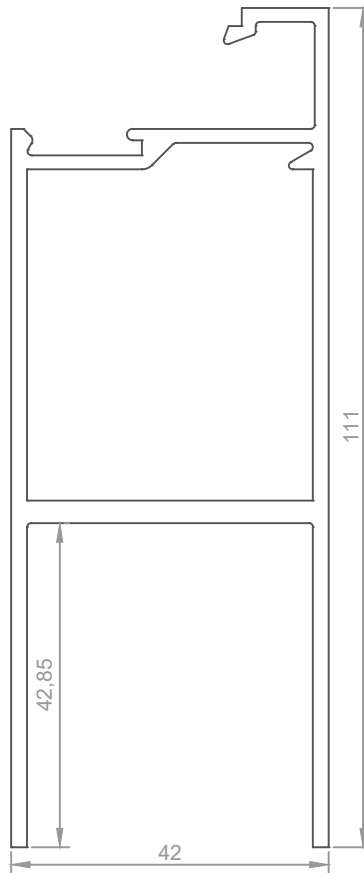


MEETING STILE ADAPTER	
Part no.	Length
CA436	4800

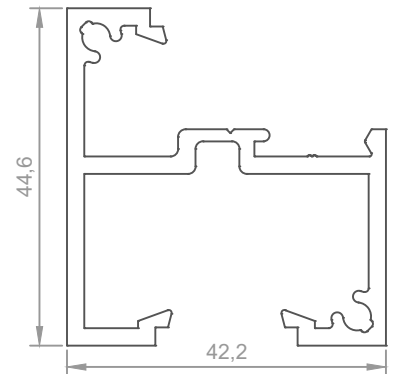
Hinge Door



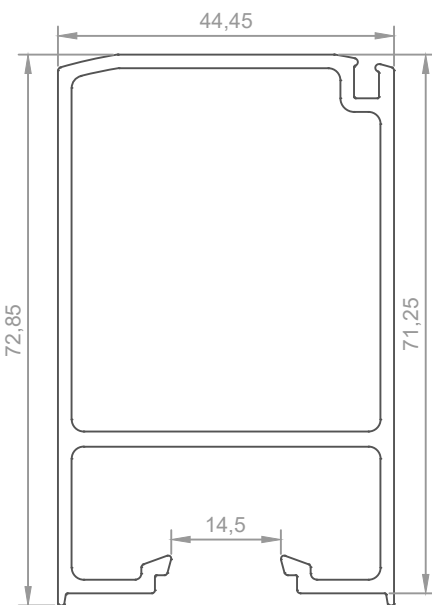
SINGLE GLAZED TOP AND BOTTOM RAIL	
Part no.	Length
CD200	6500



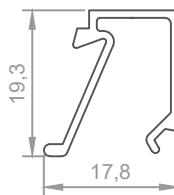
SINGLE GLAZED WIDE BOTTOM RAIL	
Part no.	Length
CD201	6500



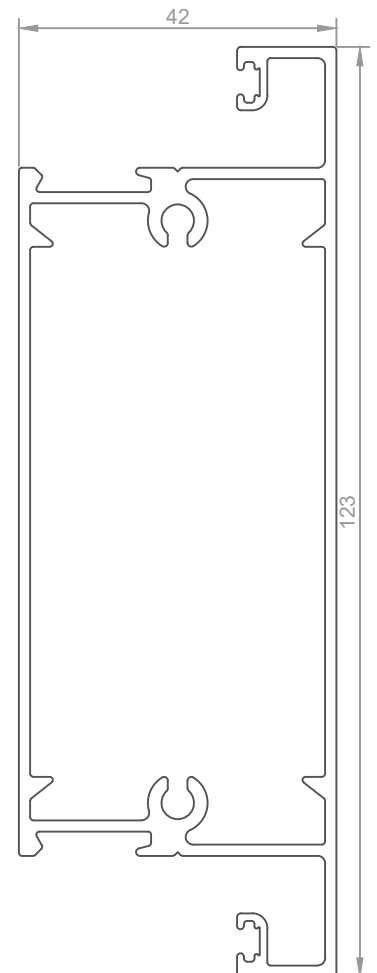
SINGLE GLAZED MIDRAIL	
Part no.	Length
CD203	6500



SINGLE GLAZED LOCK STILE	
Part no.	Length
CD213	6500



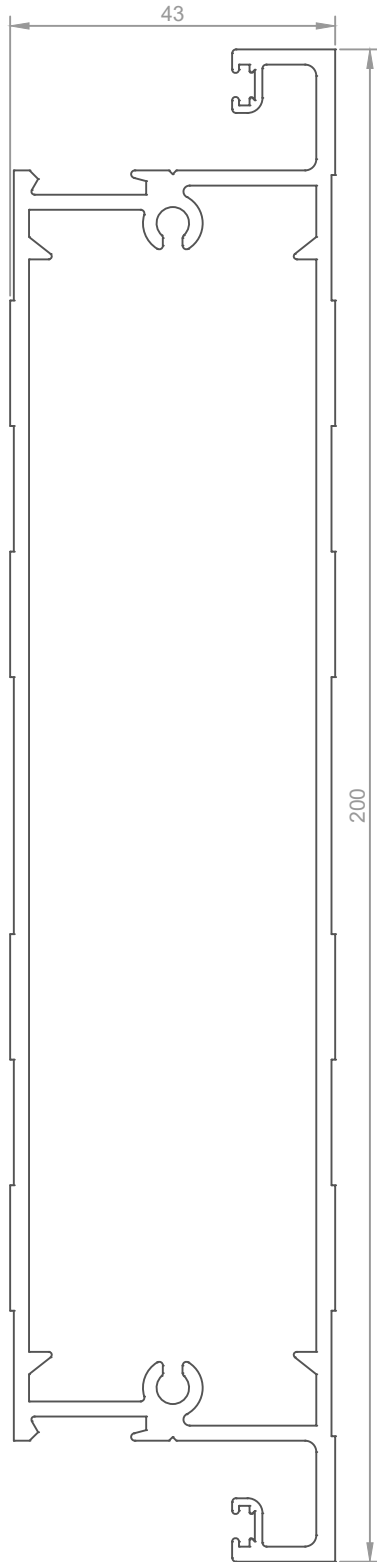
SINGLE GLAZED BEAD	
Part no.	Length
CD202	6500



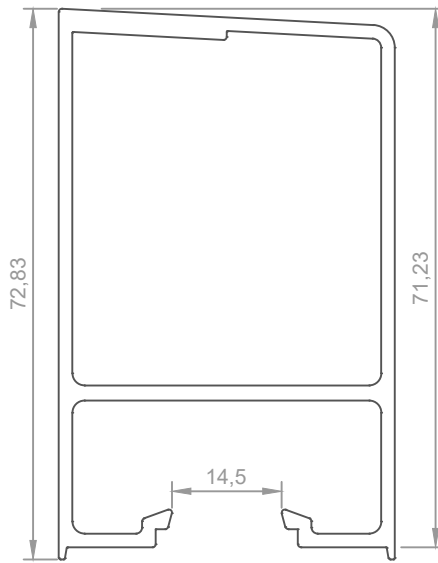
SINGLE GLAZED WIDE MIDRAIL	
Part no.	Length
CD204	6500

IMPORTANT NOTICE

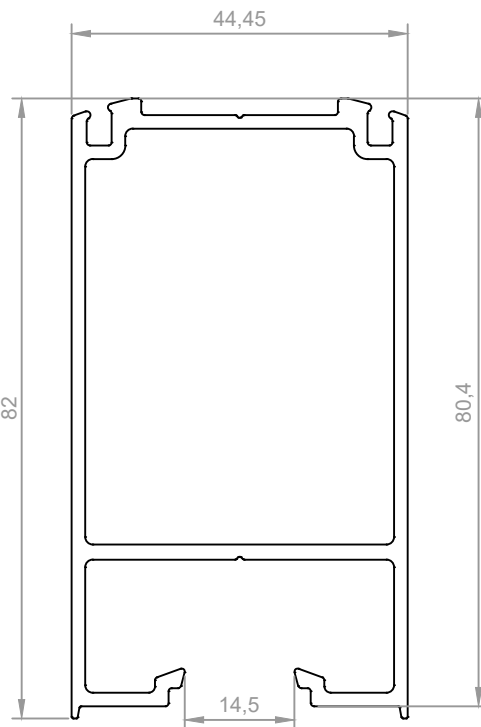
THIS DRAWING AND THE DESIGN SHOWN IS THE INTELLECTUAL PROPERTY OF CONCEPT ARCHITECTURAL SYSTEMS AND IS PROTECTED BY COPYRIGHT. THIS DRAWING MAY NOT BE COPIED OR DISTRIBUTED WITHOUT THE WRITTEN CONSENT OF CONCEPT ARCHITECTURAL SYSTEMS ©



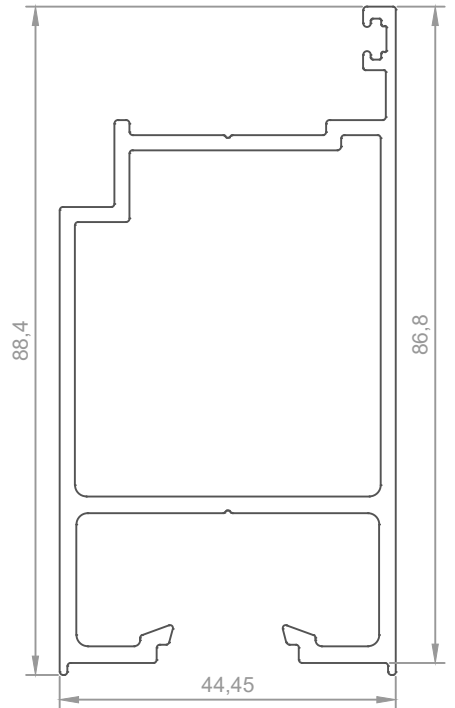
SINGLE GLAZED MIDRAIL	
Part no.	Length
CD320	6500



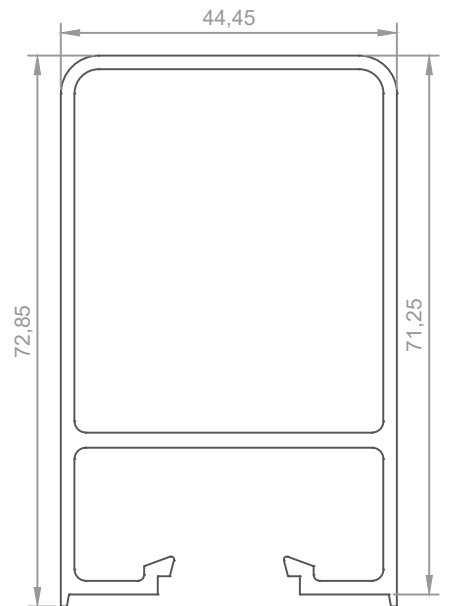
SINGLE GLAZED HINGE STILE	
Part no.	Length
CD214	6500



SG REBATE FACE STILE	
Part no.	Length
CD240	6500



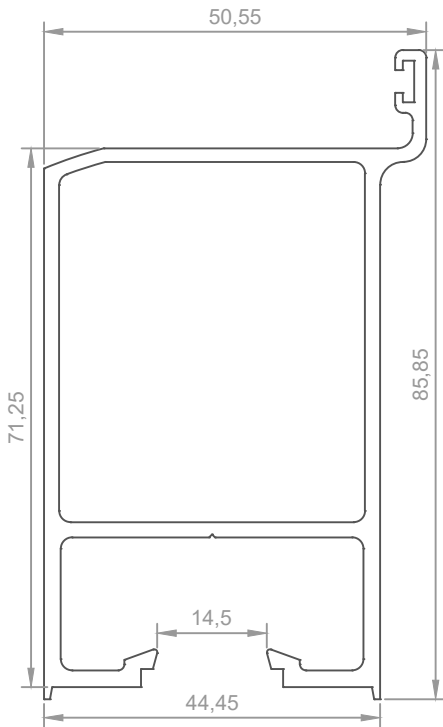
SINGLE GLAZED LOCK STILE	
Part no.	Length
BF5	6500



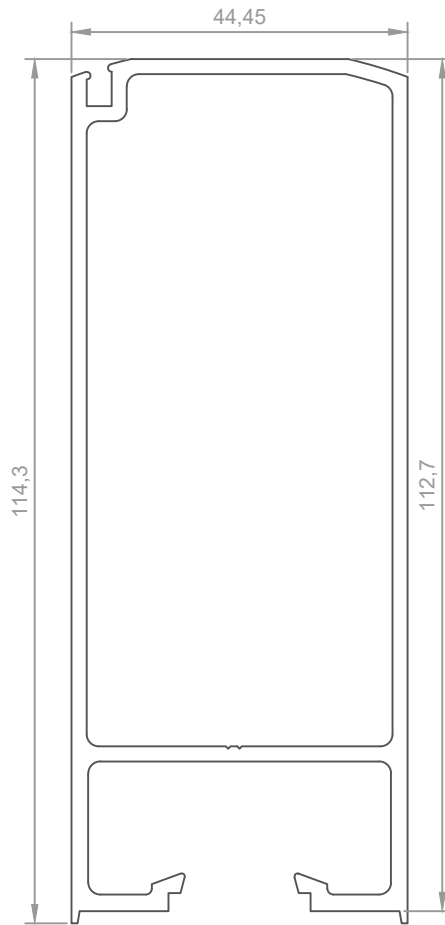
SINGLE GLAZED PLAIN STILE	
Part no.	Length
CD220	6500

IMPORTANT NOTICE

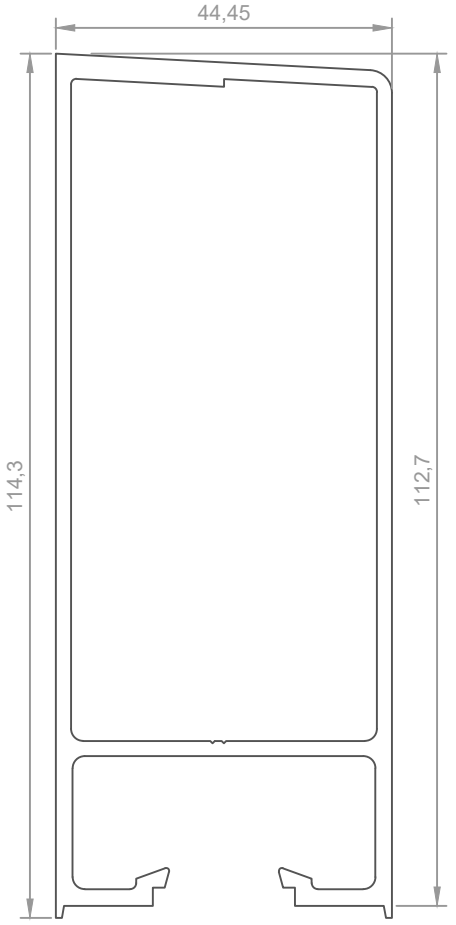
THIS DRAWING AND THE DESIGN SHOWN IS THE INTELLECTUAL PROPERTY OF CONCEPT ARCHITECTURAL SYSTEMS AND IS PROTECTED BY COPYRIGHT. THIS DRAWING MAY NOT BE COPIED OR DISTRIBUTED WITHOUT THE WRITTEN CONSENT OF CONCEPT ARCHITECTURAL SYSTEMS ©



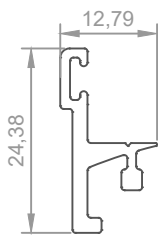
SINGLE GLAZED COVER STILE	
Part no.	Length
CD217	6500



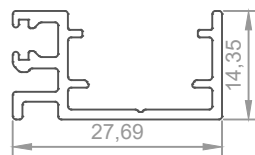
WIDE SINGLE GLAZED LOCK STILE	
Part no.	Length
CD300	6500



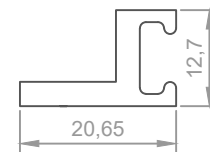
WIDE SINGLE GLAZED HINGE STILE	
Part no.	Length
CD301	6500



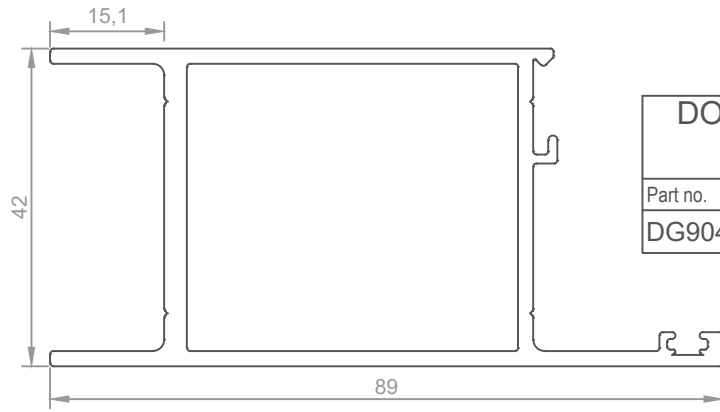
MEETING STILE ADAPTER	
Part no.	Length
CA436	4800



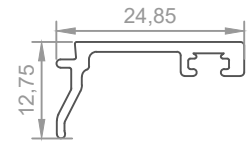
PLANT ON DOOR STOP	
Part no.	Length
CA459	6500



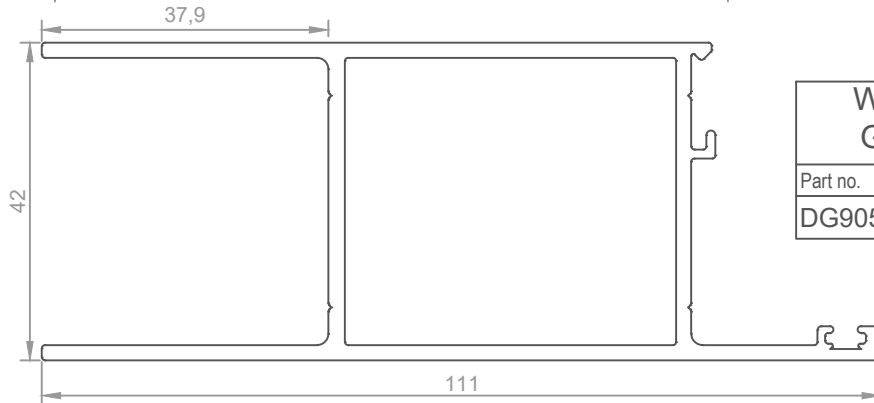
PLANT ON DOOR STOP	
Part no.	Length
CA427	6500



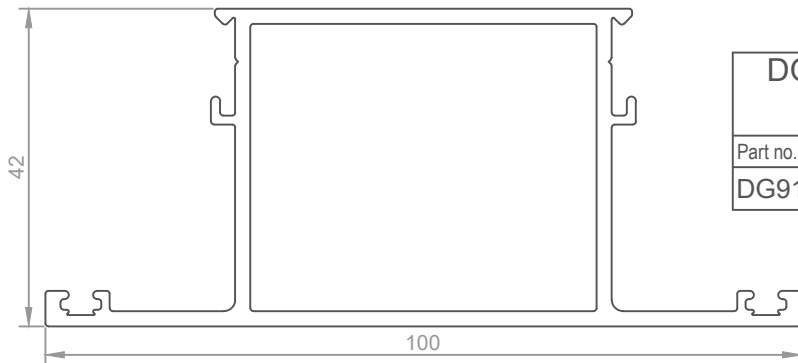
DOUBLE GLAZED RAIL	
Part no.	Length
DG904	6500



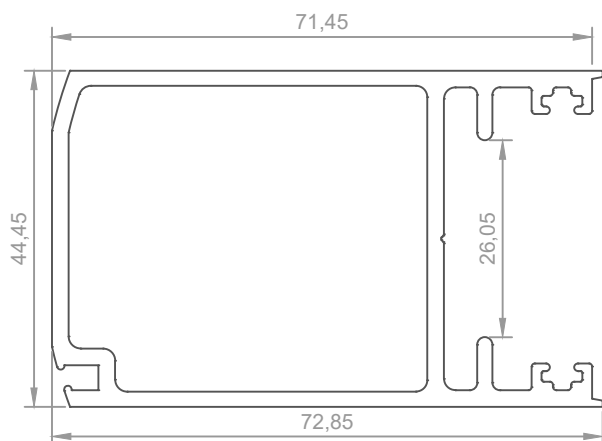
DOUBLE GLAZED DOOR BEAD	
Part no.	Length
CD318	6500



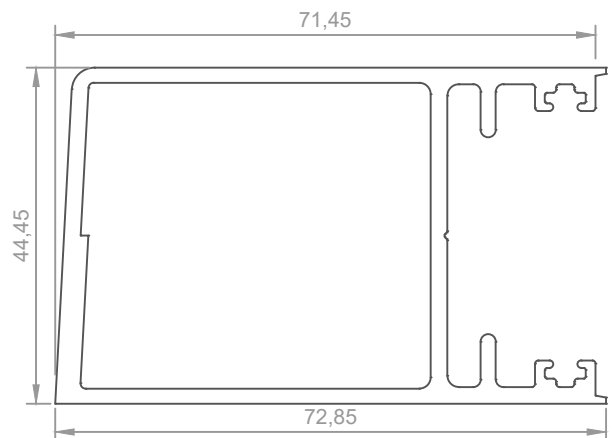
WIDE DOUBLE GLAZED RAIL	
Part no.	Length
DG905	6500



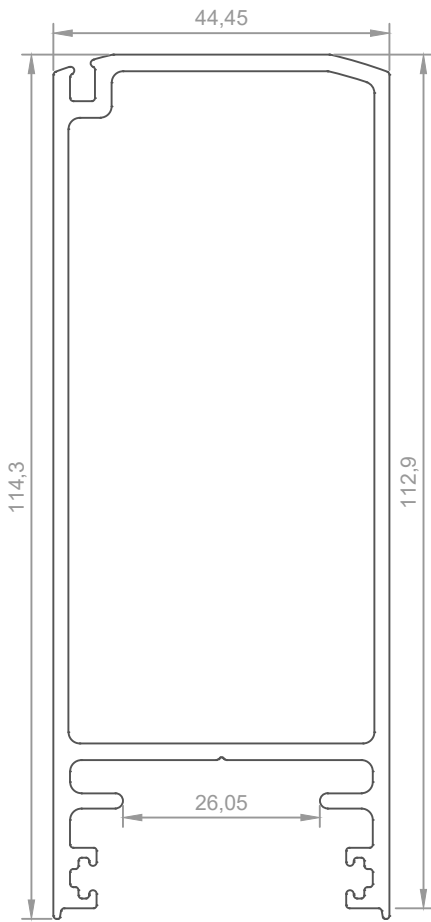
DOUBLE GLAZED MIDRAIL	
Part no.	Length
DG911	6500



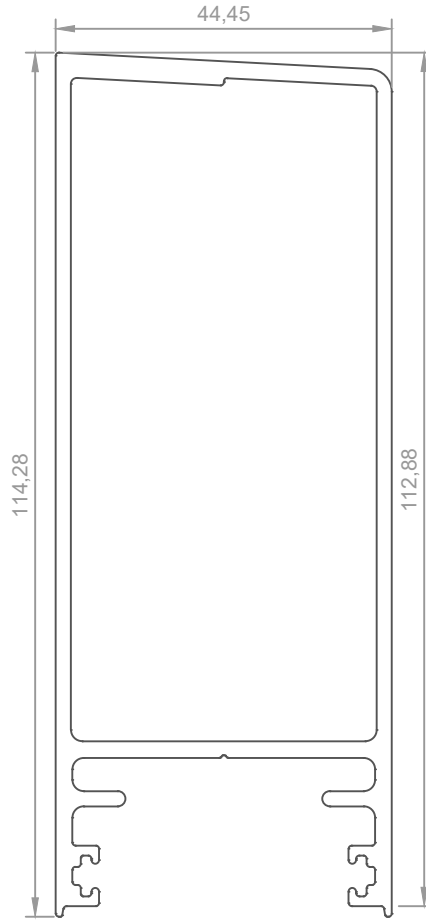
DOUBLE GLAZED LOCK STILE	
Part no.	Length
DG900	6500



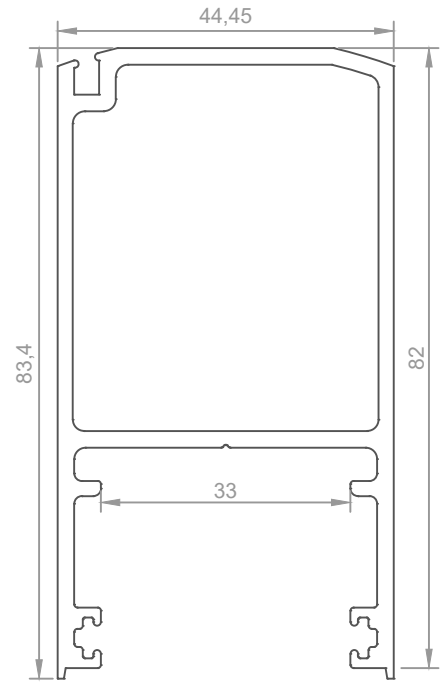
DOUBLE GLAZED HINGE STILE	
Part no.	Length
DG902	6500



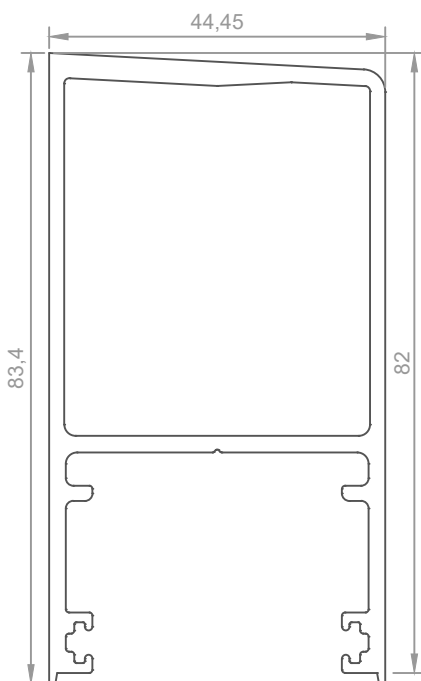
WIDE D/G LOCK STILE	
Part no.	Length
DG910	6500



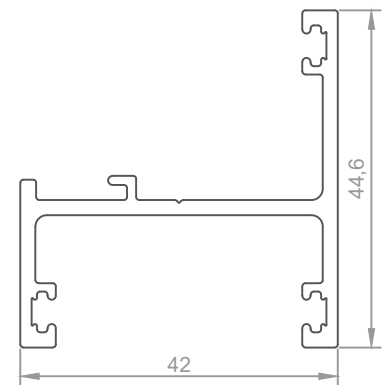
WIDE D/G HINGE STILE	
Part no.	Length
DG906	6500



DEEP POCKET LOCK STILE	
Part no.	Length
DG920	6500



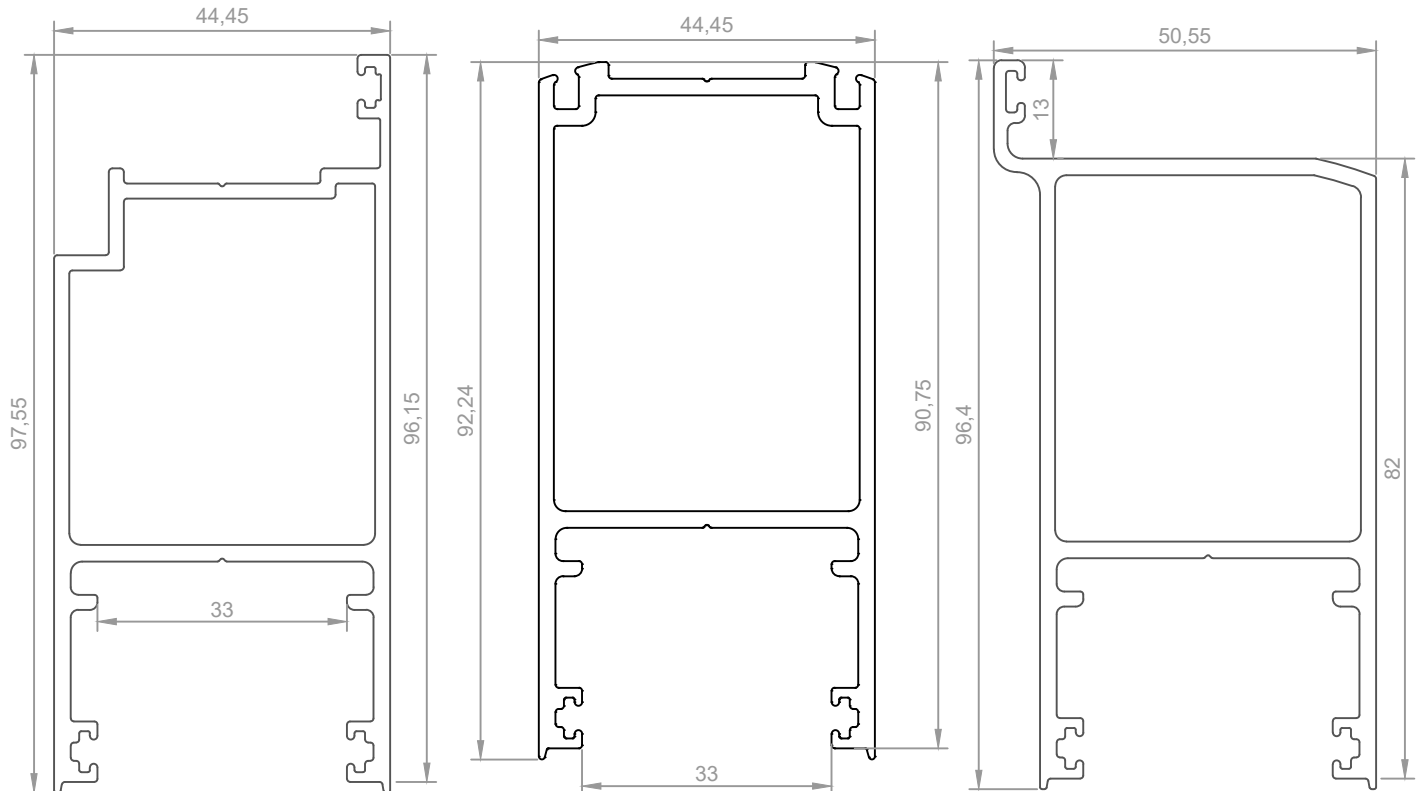
DEEP POCKET HINGE STILE	
Part no.	Length
DG921	6500



DOUBLE GLAZED MIDRAIL	
Part no.	Length
DG912	4800

IMPORTANT NOTICE

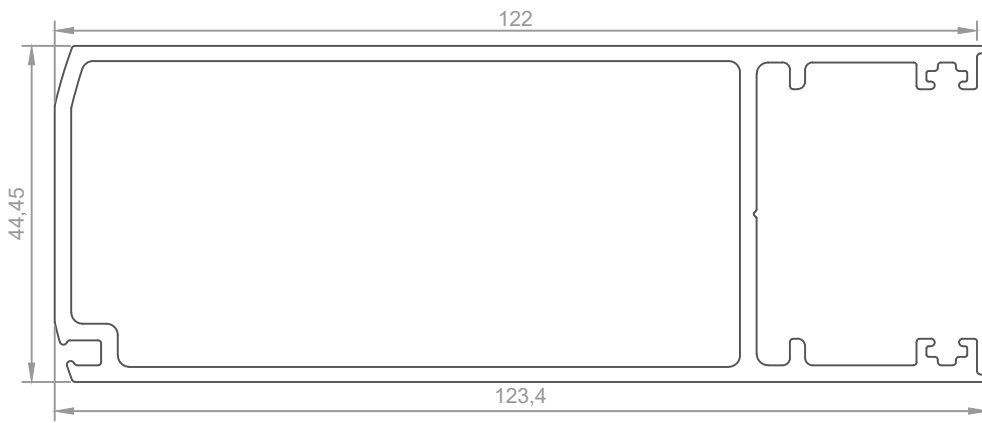
THIS DRAWING AND THE DESIGN SHOWN IS THE INTELLECTUAL PROPERTY OF CONCEPT ARCHITECTURAL SYSTEMS AND IS PROTECTED BY COPYRIGHT. THIS DRAWING MAY NOT BE COPIED OR DISTRIBUTED WITHOUT THE WRITTEN CONSENT OF CONCEPT ARCHITECTURAL SYSTEMS ©



DEEP POCKET SELF MATING STILE	
Part no.	Length
DG922	6500

DG REBATE FACE STILE	
Part no.	Length
DG940	6500

DEEP POCKET COVER STILE	
Part no.	Length
DG925	6500

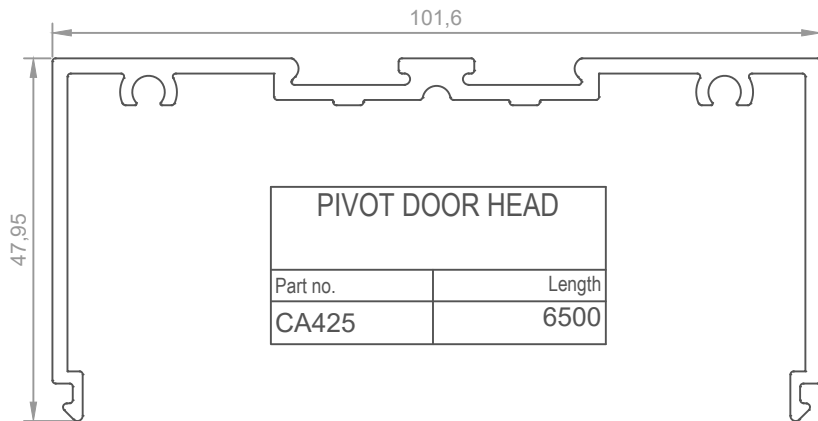


WIDE DEEP POCKET LOCK STILE	
Part no.	Length
DG930	6500

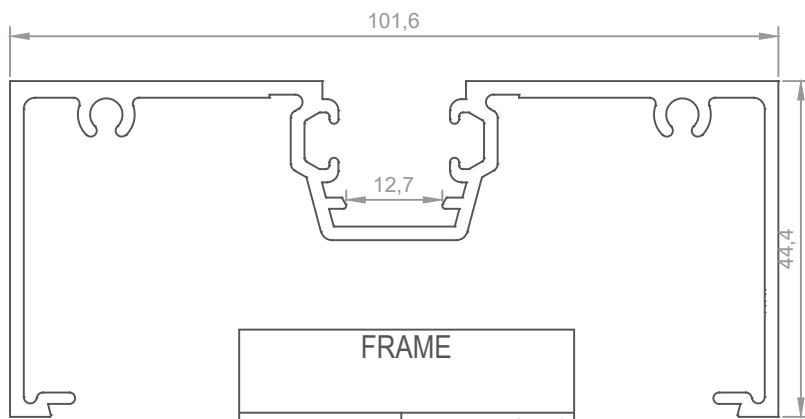


WIDE DEEP POCKET HINGE STILE	
Part no.	Length
DG931	6500

Pivot Door



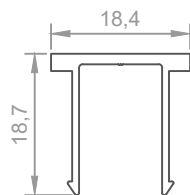
PIVOT DOOR HEAD	
Part no.	Length
CA425	6500



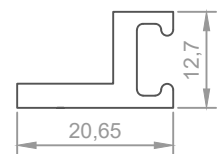
FRAME	
Part no.	Length
CA460	6500



COVER PLATE	
Part no.	Length
CA426	6500



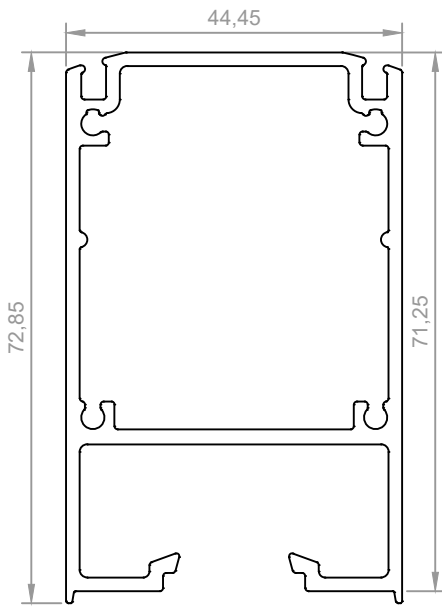
POCKET FILLER	
Part no.	Length
CA409	6500



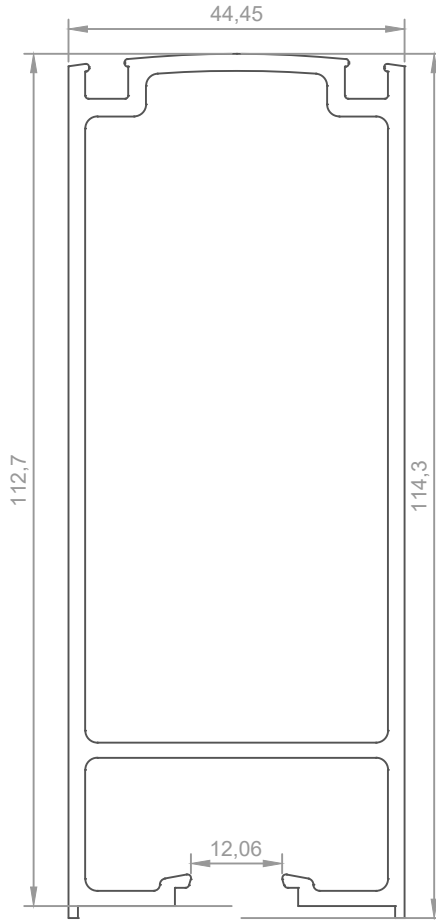
PLANT ON DOOR STOP	
Part no.	Length
CA427	6500

IMPORTANT NOTICE

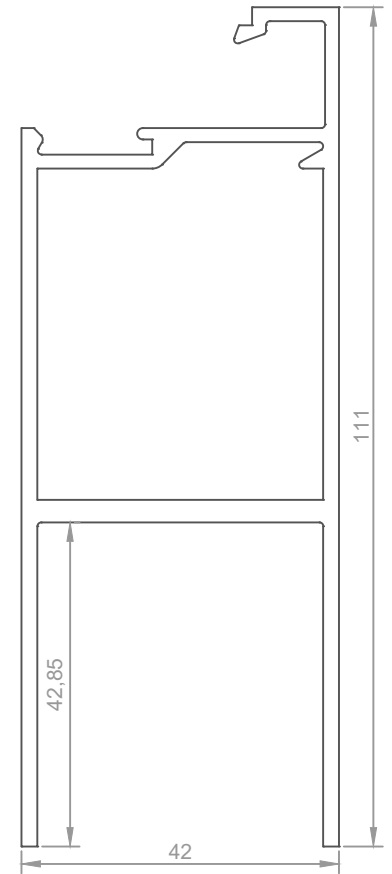
THIS DRAWING AND THE DESIGN SHOWN IS THE INTELLECTUAL PROPERTY OF
CONCEPT ARCHITECTURAL SYSTEMS AND IS PROTECTED BY COPYRIGHT. THIS DRAWING MAY NOT BE
 COPIED OR DISTRIBUTED WITHOUT THE WRITTEN CONSENT OF **CONCEPT ARCHITECTURAL SYSTEMS** ©



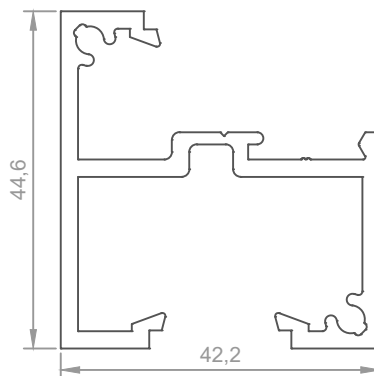
SINGLE GLAZED PIVOT STILE	
Part no.	Length
CD216	6500



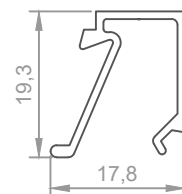
WIDE SINGLE GLAZED PIVOT STILE	
Part no.	Length
CD303	6500



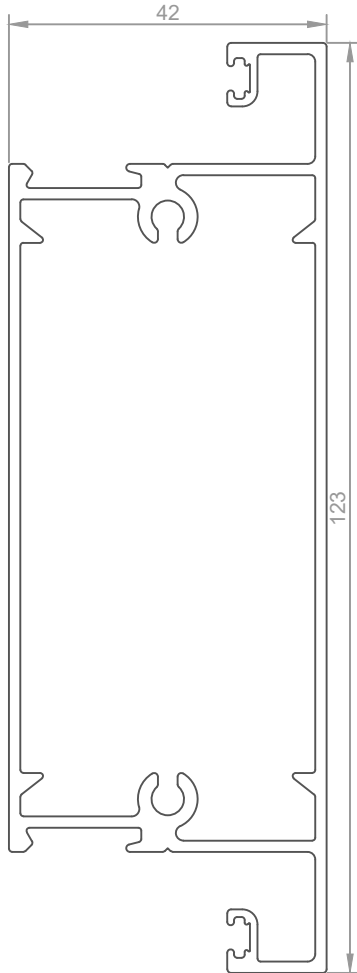
SINGLE GLAZED WIDE BOTTOM RAIL	
Part no.	Length
CD201	6500



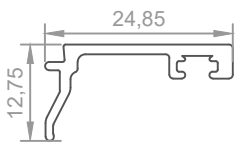
SINGLE GLAZED MIDRAIL	
Part no.	Length
CD203	6500



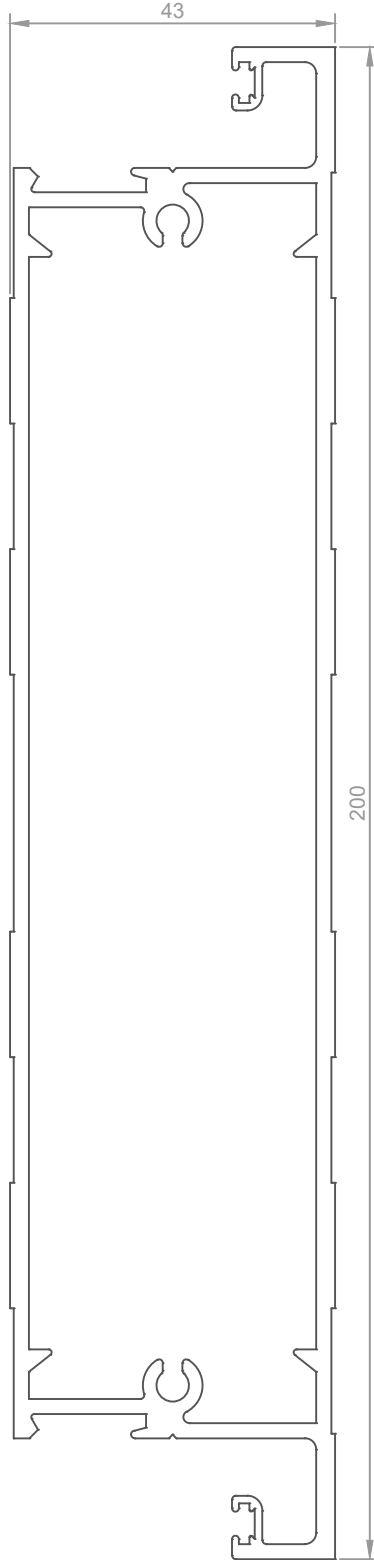
SINGLE GLAZED BEAD	
Part no.	Length
CD202	6500



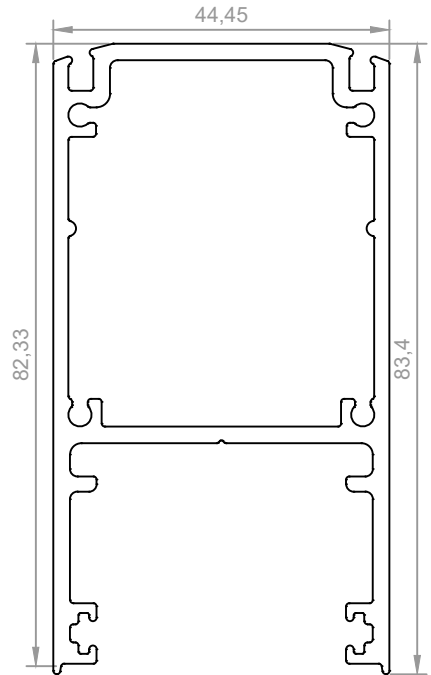
SINGLE GLAZED WIDE MIDRAIL	
Part no.	Length
CD204	6500



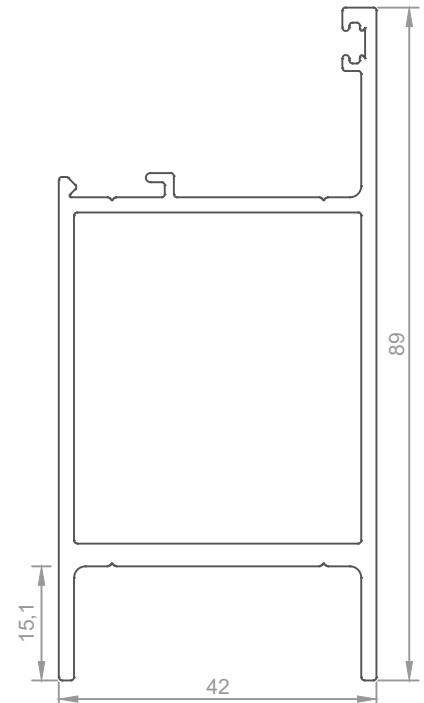
DOUBLE GLAZED DOOR BEAD	
Part no.	Length
CD318	6500



SINGLE GLAZED MIDRAIL	
Part no.	Length
CD320	6500



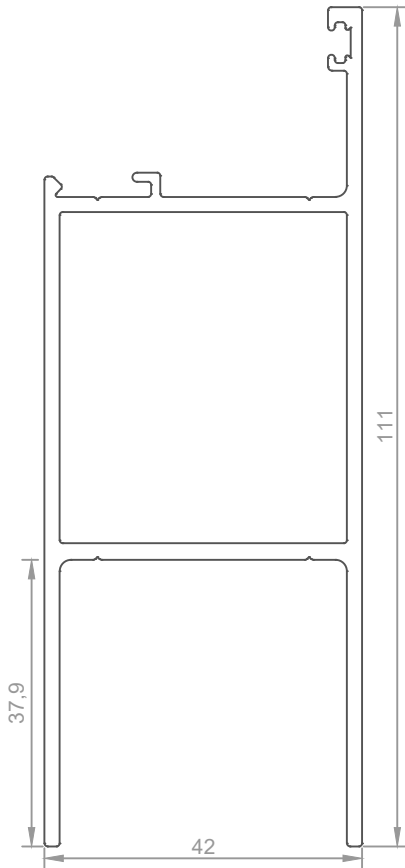
DEEP POCKET PIVOT STILE	
Part no.	Length
DG926	6500



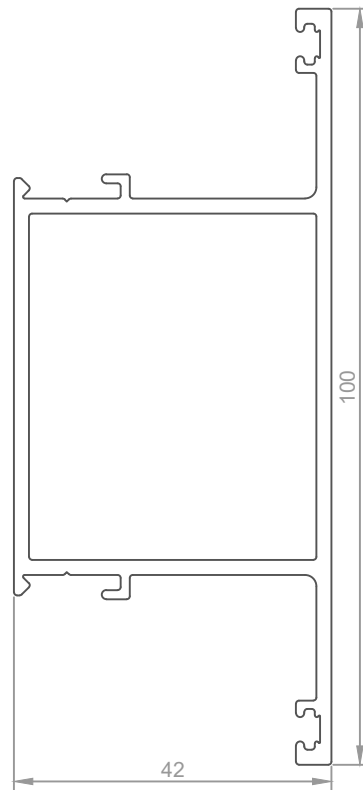
DOUBLE GLAZED RAIL	
Part no.	Length
DG904	6500

IMPORTANT NOTICE

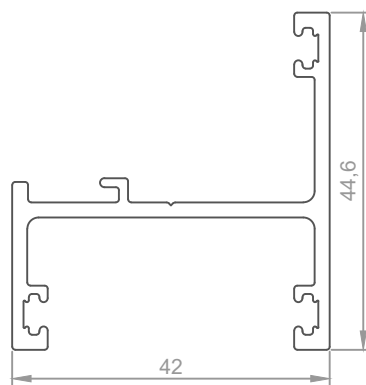
THIS DRAWING AND THE DESIGN SHOWN IS THE INTELLECTUAL PROPERTY OF CONCEPT ARCHITECTURAL SYSTEMS AND IS PROTECTED BY COPYRIGHT. THIS DRAWING MAY NOT BE COPIED OR DISTRIBUTED WITHOUT THE WRITTEN CONSENT OF CONCEPT ARCHITECTURAL SYSTEMS ©



WIDE DOUBLE GLAZED RAIL	
Part no.	Length
DG905	6500



DOUBLE GLAZED MIDRAIL	
Part no.	Length
DG911	6500

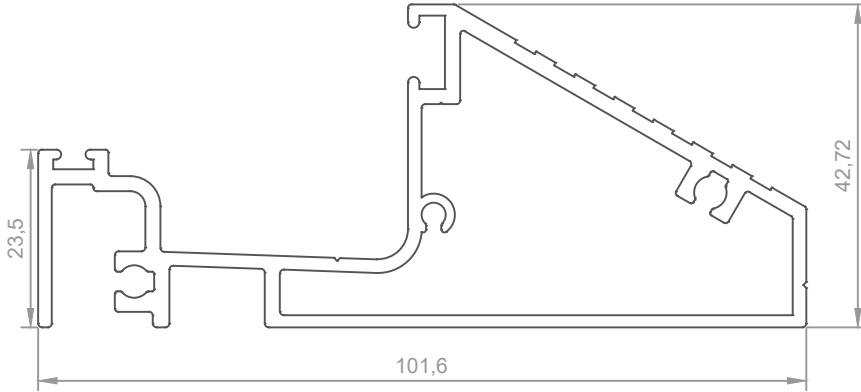


DOUBLE GLAZED MIDRAIL	
Part no.	Length
DG912	4800

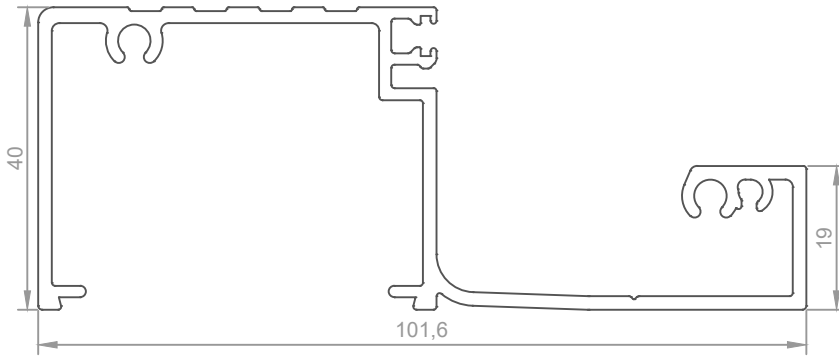
IMPORTANT NOTICE

THIS DRAWING AND THE DESIGN SHOWN IS THE INTELLECTUAL PROPERTY OF
CONCEPT ARCHITECTURAL SYSTEMS AND IS PROTECTED BY COPYRIGHT. THIS DRAWING MAY NOT BE
COPIED OR DISTRIBUTED WITHOUT THE WRITTEN CONSENT OF CONCEPT ARCHITECTURAL SYSTEMS ©

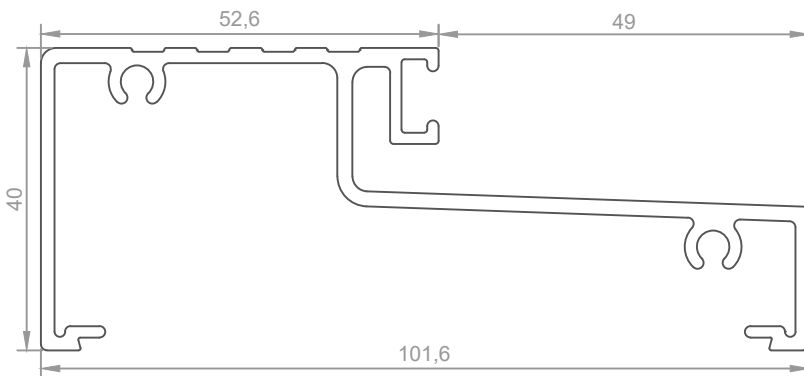
Door Sills/Thresholds



OPEN IN SILL	
Part no.	Length
BF9	6500



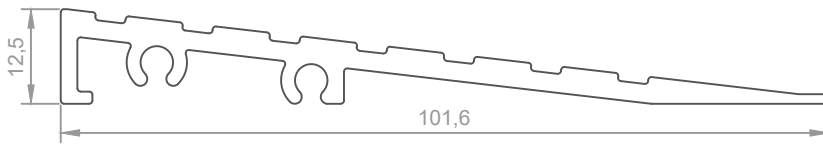
OPEN OUT THRESHOLD	
Part no.	Length
CA429	6500



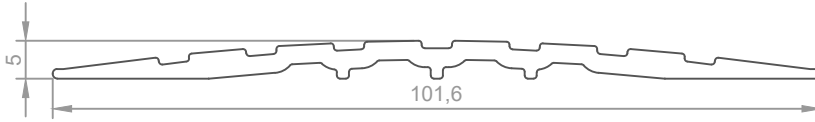
OPEN OUT THRESHOLD	
Part no.	Length
CA428	6500

IMPORTANT NOTICE

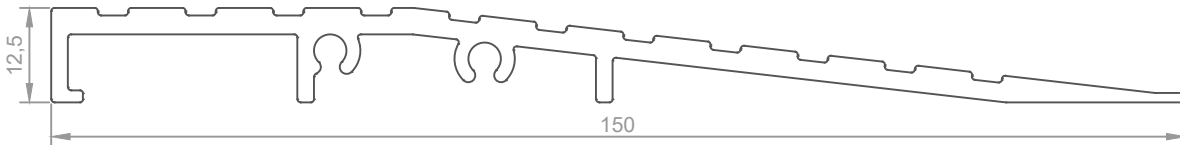
THIS DRAWING AND THE DESIGN SHOWN IS THE INTELLECTUAL PROPERTY OF
CONCEPT ARCHITECTURAL SYSTEMS AND IS PROTECTED BY COPYRIGHT. THIS DRAWING MAY NOT BE
COPIED OR DISTRIBUTED WITHOUT THE WRITTEN CONSENT OF CONCEPT ARCHITECTURAL SYSTEMS ©



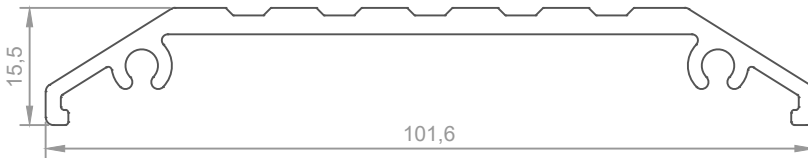
100MM SLOPED THRESHOLD	
Part no.	Length
CA480	6500



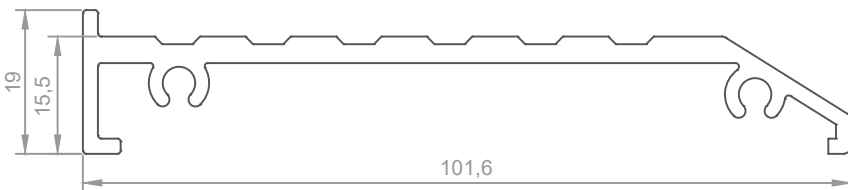
100MM ROUNDED THRESHOLD	
Part no.	Length
CA482	6500



150MM SLOPED THRESHOLD	
Part no.	Length
CA481	6500

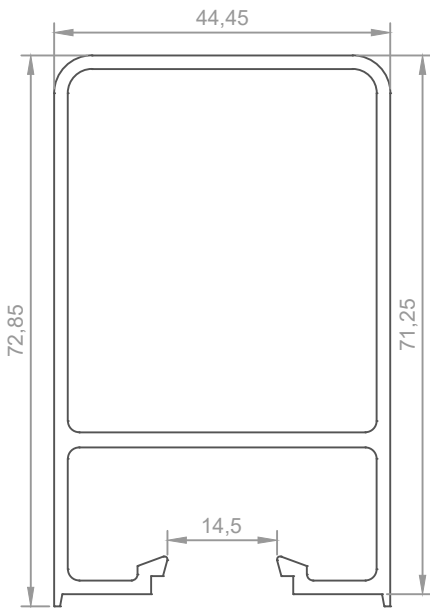


THRESHOLD	
Part no.	Length
CA431	6500

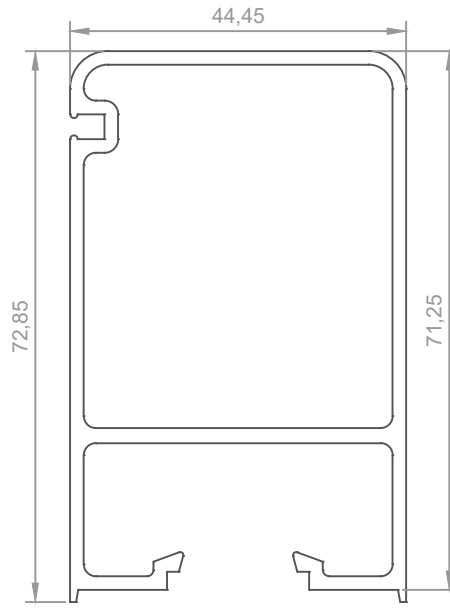


THRESHOLD	
Part no.	Length
CA415	6500

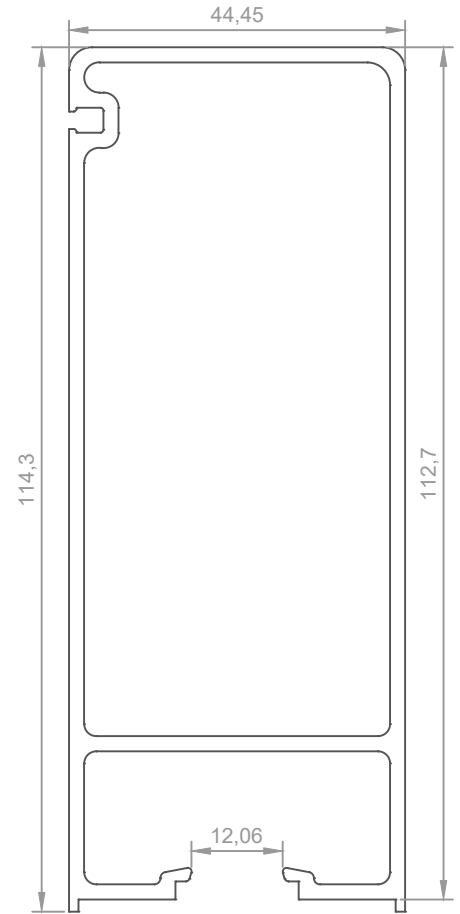
Top Hung Door



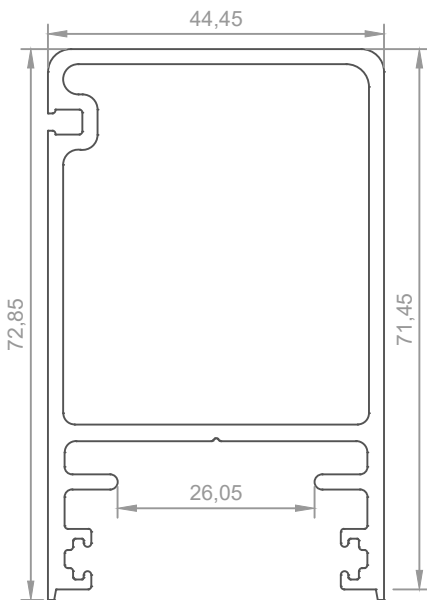
SINGLE GLAZED PLAIN STILE	
Part no.	Length
CD220	6500



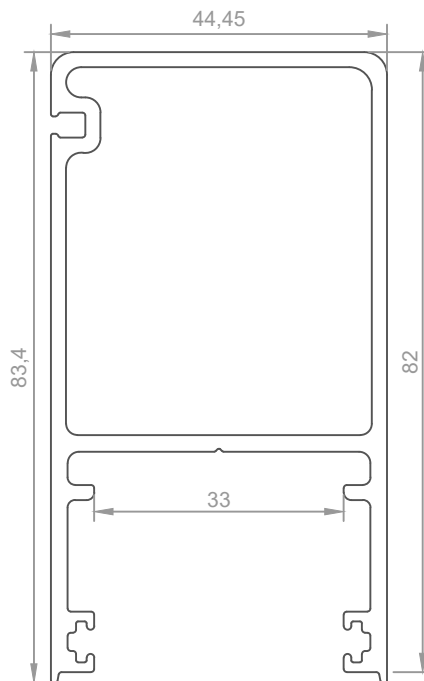
SINGLE GLAZED SLIDING STILE	
Part no.	Length
CD215	6500



WIDE SINGLE GLAZED SLIDING STILE	
Part no.	Length
CD302	6500



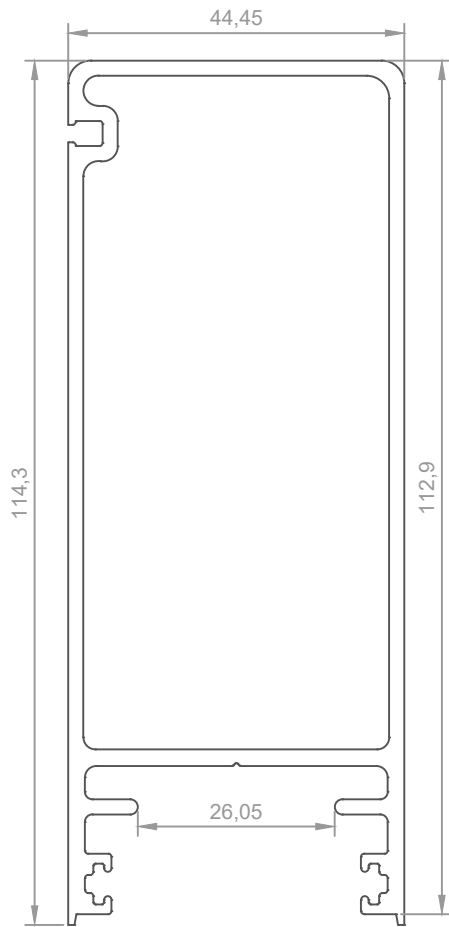
DOUBLE GLAZED SLIDING STILE	
Part no.	Length
DG903	6500



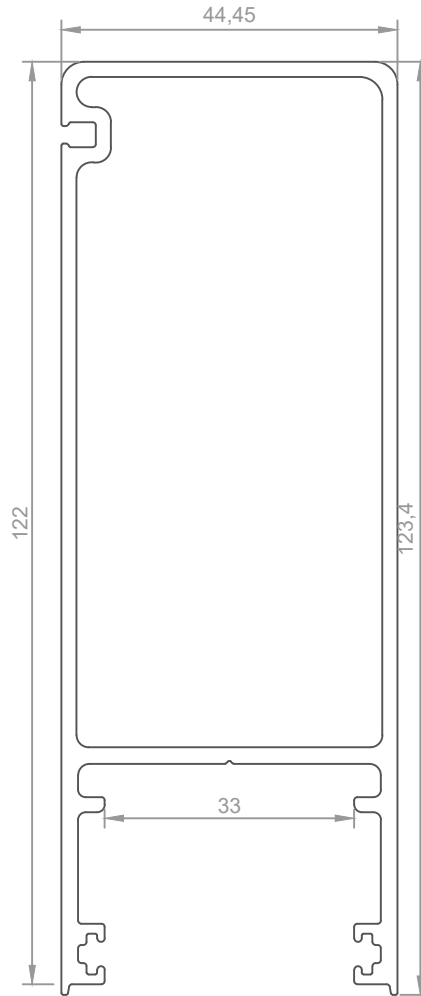
DEEP POCKET SLIDING STILE	
Part no.	Length
DG924	6500

IMPORTANT NOTICE

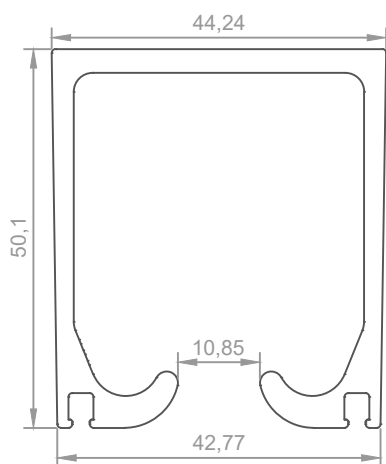
THIS DRAWING AND THE DESIGN SHOWN IS THE INTELLECTUAL PROPERTY OF CONCEPT ARCHITECTURAL SYSTEMS AND IS PROTECTED BY COPYRIGHT. THIS DRAWING MAY NOT BE COPIED OR DISTRIBUTED WITHOUT THE WRITTEN CONSENT OF CONCEPT ARCHITECTURAL SYSTEMS ©



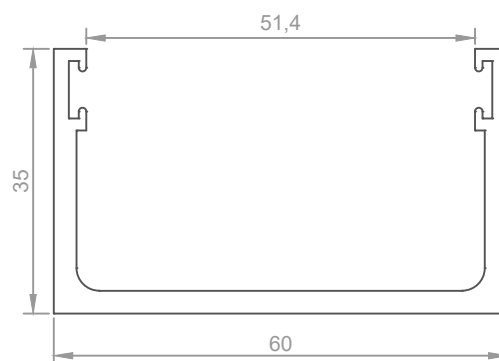
WIDE D/G SLIDING STILE	
Part no.	Length
DG908	6500



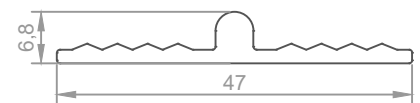
WIDE DEEP POCKET SLIDING STILE	
Part no.	Length
DG932	6500



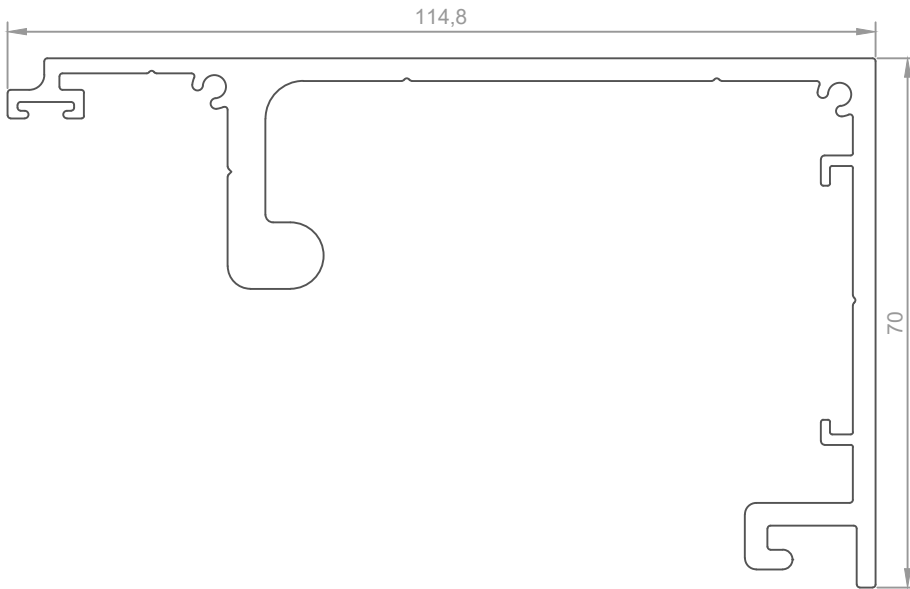
TOP TRACK	
Part no.	Length
CD327	6500



BOTTOM GUIDE	
Part no.	Length
CA435	6500



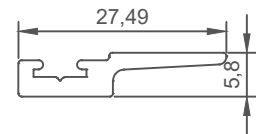
BOTTOM TRACK	
Part no.	Length
CD322	6500



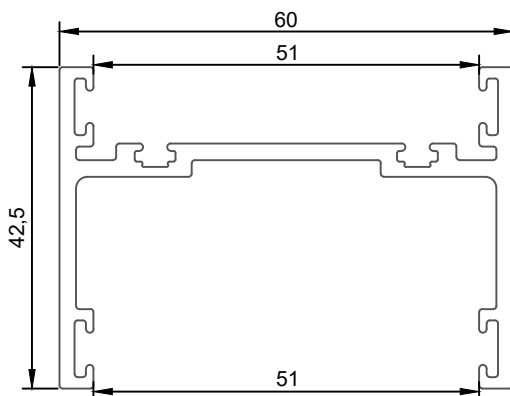
PELMET TOP TRACK	
Part no.	Length
CA478	6500



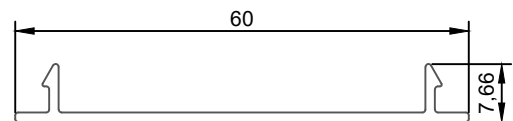
PELMET COVER	
Part no.	Length
CA479	6500



INTERLOCK	
Part no.	Length
CD321	6500



SLIDING DOOR JAMB / RECEIVER	
Part no.	Length
CA479	6500

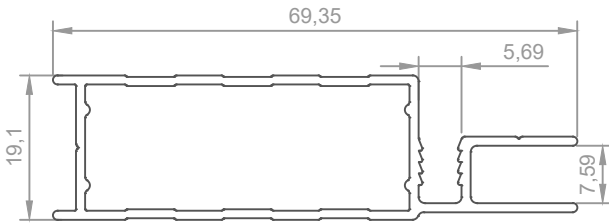


CHANNEL RECEIVER'S CAP	
Part no.	Length
CA479	6500

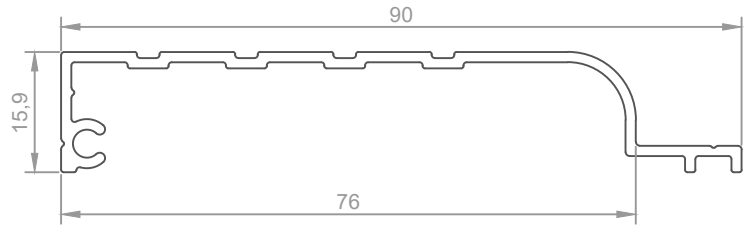
IMPORTANT NOTICE

THIS DRAWING AND THE DESIGN SHOWN IS THE INTELLECTUAL PROPERTY OF CONCEPT ARCHITECTURAL SYSTEMS AND IS PROTECTED BY COPYRIGHT. THIS DRAWING MAY NOT BE COPIED OR DISTRIBUTED WITHOUT THE WRITTEN CONSENT OF CONCEPT ARCHITECTURAL SYSTEMS ©

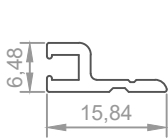
Security Profiles



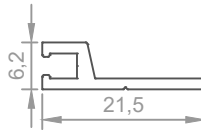
SECURITY DOOR FRAME	
Part no.	Length
DF7	6000



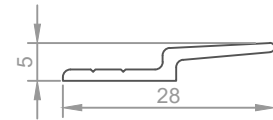
ARCHITRAVE	
Part no.	Length
CA090	6000



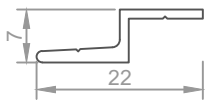
15MM BUG STRIP	
Part no.	Length
CS1	4300



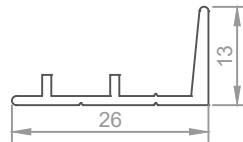
20MM BUG STRIP	
Part no.	Length
CS2	4300



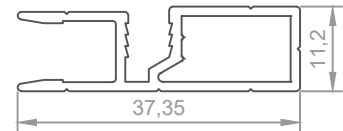
30MM INTERLOCK	
Part no.	Length
CS3	4800



20MM INTERLOCK	
Part no.	Length
CS4	4800



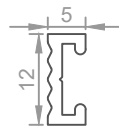
FRAME INTERLOCK	
Part no.	Length
CS5	4800



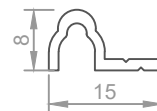
SECURITY WINDOW FRAME	
Part no.	Length
CS6	6000



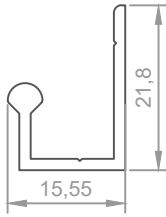
MIDRAIL	
Part no.	Length
CS8	4300



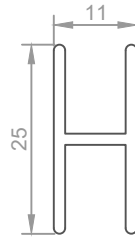
5MM PACKER	
Part no.	Length
CS9	3000



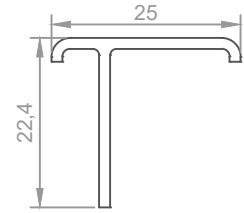
BOTTOM TRACK	
Part no.	Length
CS10	4300



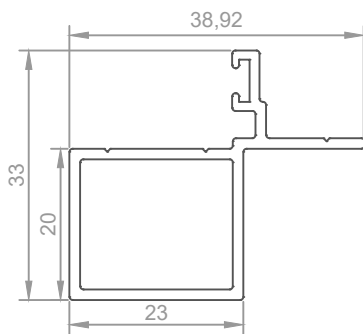
BOTTOM TRACK	
Part no.	Length
CS11	4300



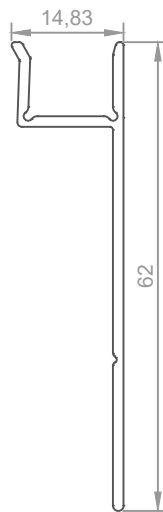
MIDRAIL	
Part no.	Length
CS12	6000



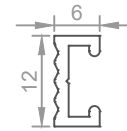
T MULLION	
Part no.	Length
CS14	4300



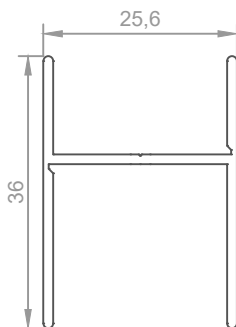
JAMB ADAPTER	
Part no.	Length
CS15	5100



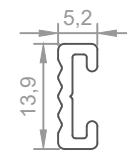
EXTENSION ANGLE	
Part no.	Length
CS16	5000



6MM PACKER	
Part no.	Length
CS18	3000

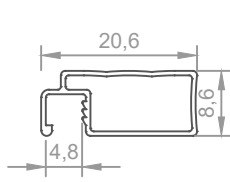


CHANNEL RECEIVER	
Part no.	Length
CS19	6500

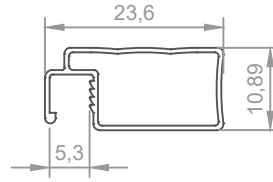


5.5MM PACKER	
Part no.	Length
CS31	3000

Flyscreens



22MM FLYSCREEN	
Part no.	Length
CFS22	5000

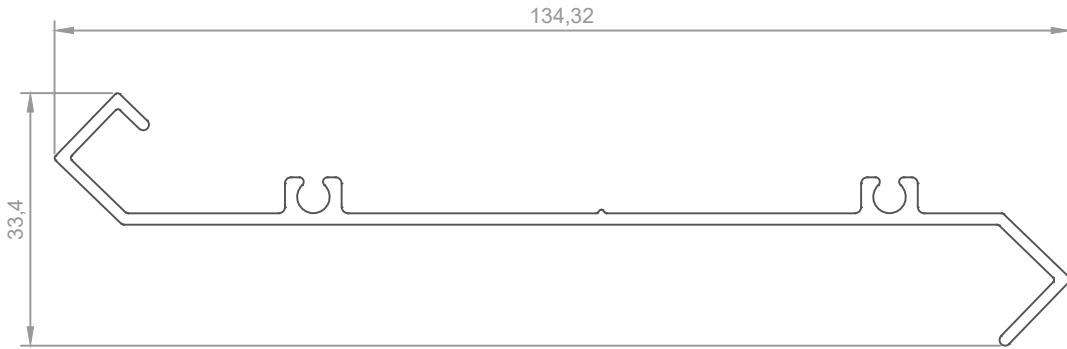


25MM FLYSCREEN	
Part no.	Length
CFS25	5000

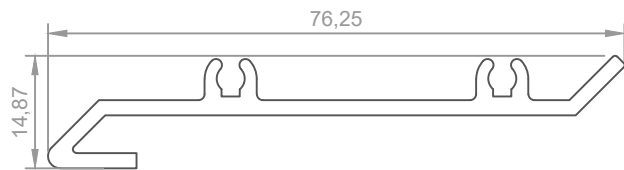
IMPORTANT NOTICE

THIS DRAWING AND THE DESIGN SHOWN IS THE INTELLECTUAL PROPERTY OF
CONCEPT ARCHITECTURAL SYSTEMS AND IS PROTECTED BY COPYRIGHT. THIS DRAWING MAY NOT BE
 COPIED OR DISTRIBUTED WITHOUT THE WRITTEN CONSENT OF **CONCEPT ARCHITECTURAL SYSTEMS** ©

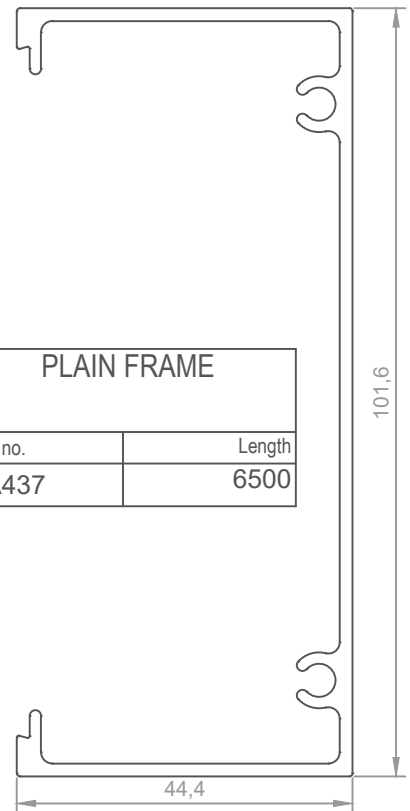
Louvres/Privacy Screens



LOUVRE BLADE	
Part no.	Length
CL102	0



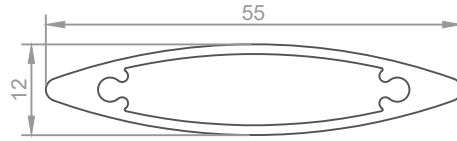
LOUVRE BLADE	
Part no.	Length
CL108	0



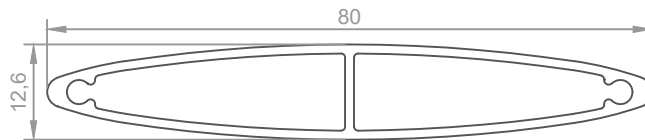
PLAIN FRAME	
Part no.	Length
CA437	6500

IMPORTANT NOTICE

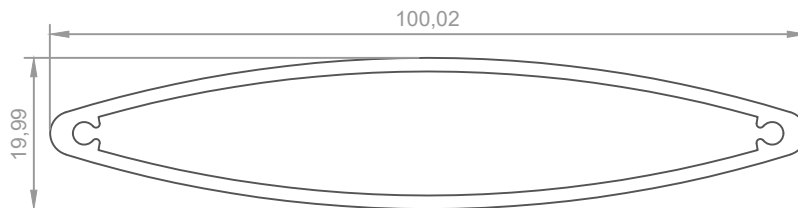
THIS DRAWING AND THE DESIGN SHOWN IS THE INTELLECTUAL PROPERTY OF CONCEPT ARCHITECTURAL SYSTEMS AND IS PROTECTED BY COPYRIGHT. THIS DRAWING MAY NOT BE COPIED OR DISTRIBUTED WITHOUT THE WRITTEN CONSENT OF CONCEPT ARCHITECTURAL SYSTEMS ©



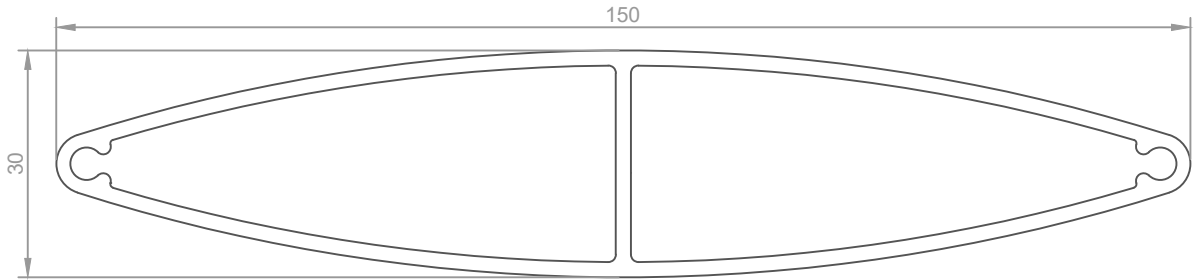
60MM ELLIPSOID LOUVRE BLADE	
Part no.	Length
EB60	6500



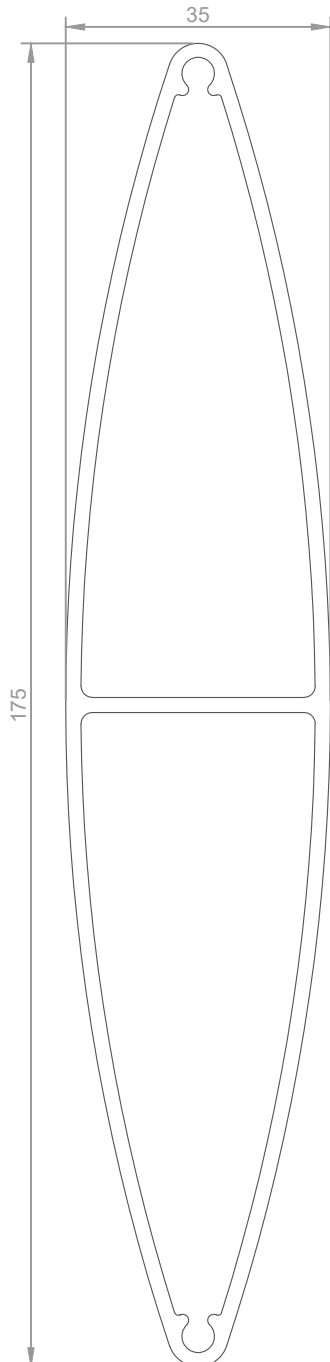
80MM ELLIPSOID LOUVRE BLADE	
Part no.	Length
EB80	6500



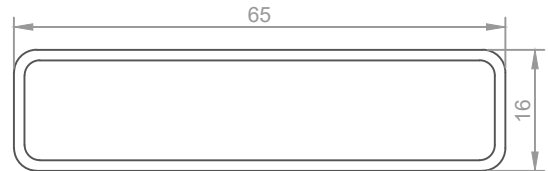
100MM ELLIPSOID LOUVRE BLADE	
Part no.	Length
EB100	6500



150MM ELLIPSOID LOUVRE BLADE	
Part no.	Length
EB150	6500



175MM ELLIPSOID LOUVRE BLADE	
Part no.	Length
EB175	6500

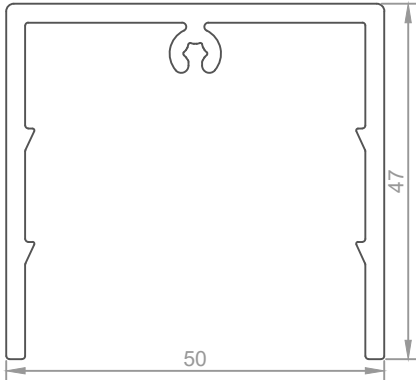


PRIVACY SCREEN	
Part no.	Length
PS65	6500

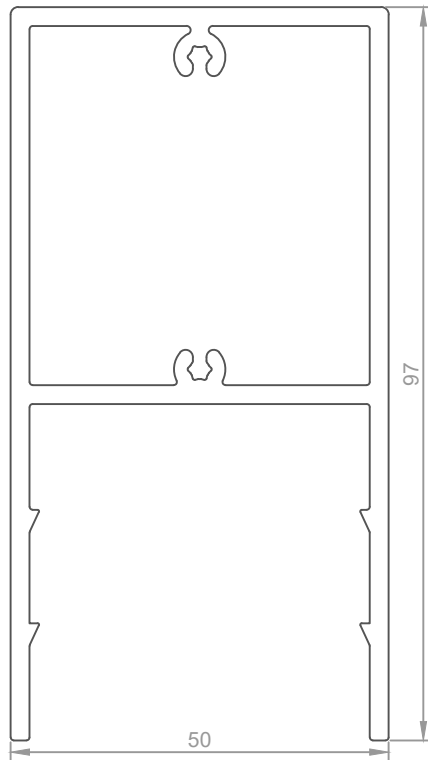
IMPORTANT NOTICE

THIS DRAWING AND THE DESIGN SHOWN IS THE INTELLECTUAL PROPERTY OF CONCEPT ARCHITECTURAL SYSTEMS AND IS PROTECTED BY COPYRIGHT. THIS DRAWING MAY NOT BE COPIED OR DISTRIBUTED WITHOUT THE WRITTEN CONSENT OF CONCEPT ARCHITECTURAL SYSTEMS ©

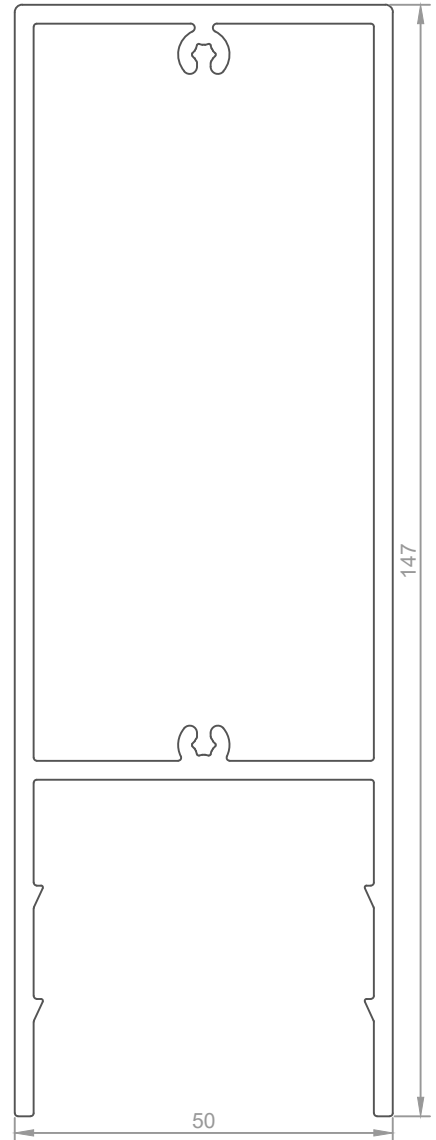
Batten System



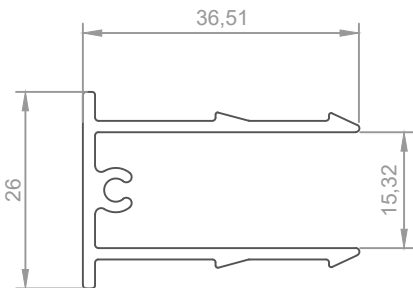
50MM BATTEN	
Part no.	Length
BT50	6500



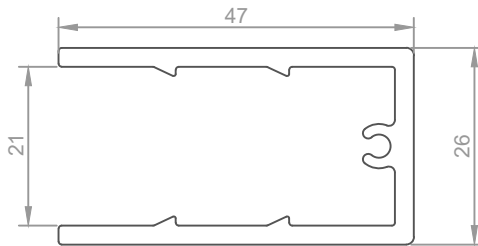
100MM BATTEN	
Part no.	Length
BT100	6500



150MM BATTEN	
Part no.	Length
BT150	6500



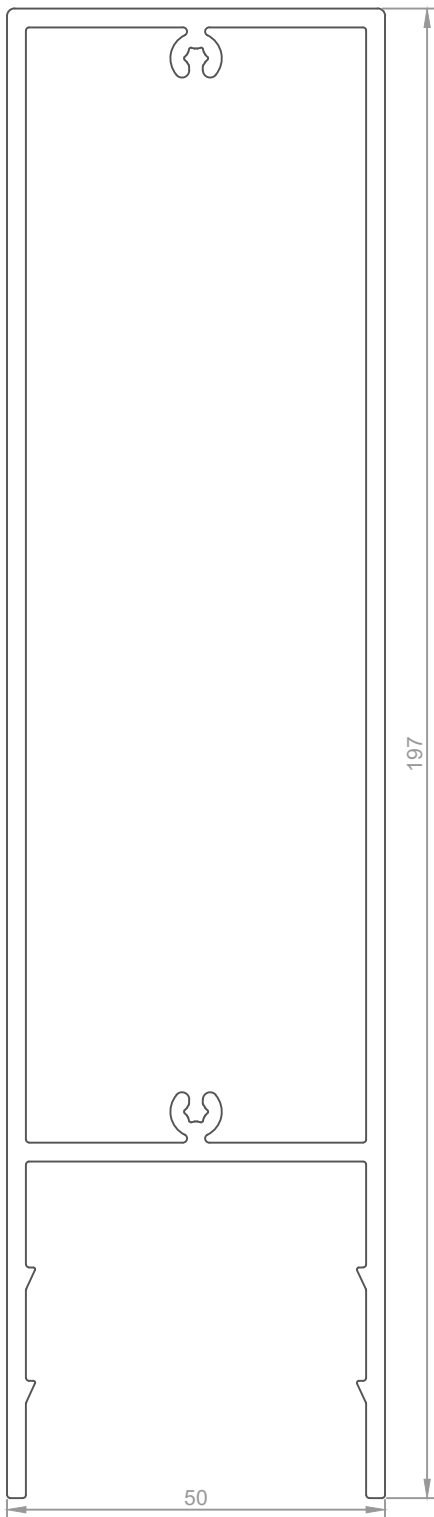
SLIM BATTEN BASE	
Part no.	Length
BT26	6500



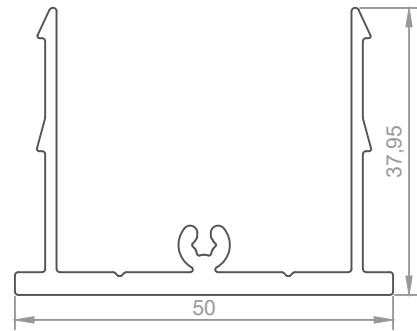
47MM SLIM BATTEN CAP	
Part no.	Length
BT47	6500

IMPORTANT NOTICE

THIS DRAWING AND THE DESIGN SHOWN IS THE INTELLECTUAL PROPERTY OF CONCEPT ARCHITECTURAL SYSTEMS AND IS PROTECTED BY COPYRIGHT. THIS DRAWING MAY NOT BE COPIED OR DISTRIBUTED WITHOUT THE WRITTEN CONSENT OF CONCEPT ARCHITECTURAL SYSTEMS ©



200MM BATTEN	
Part no.	Length
BT200	6500

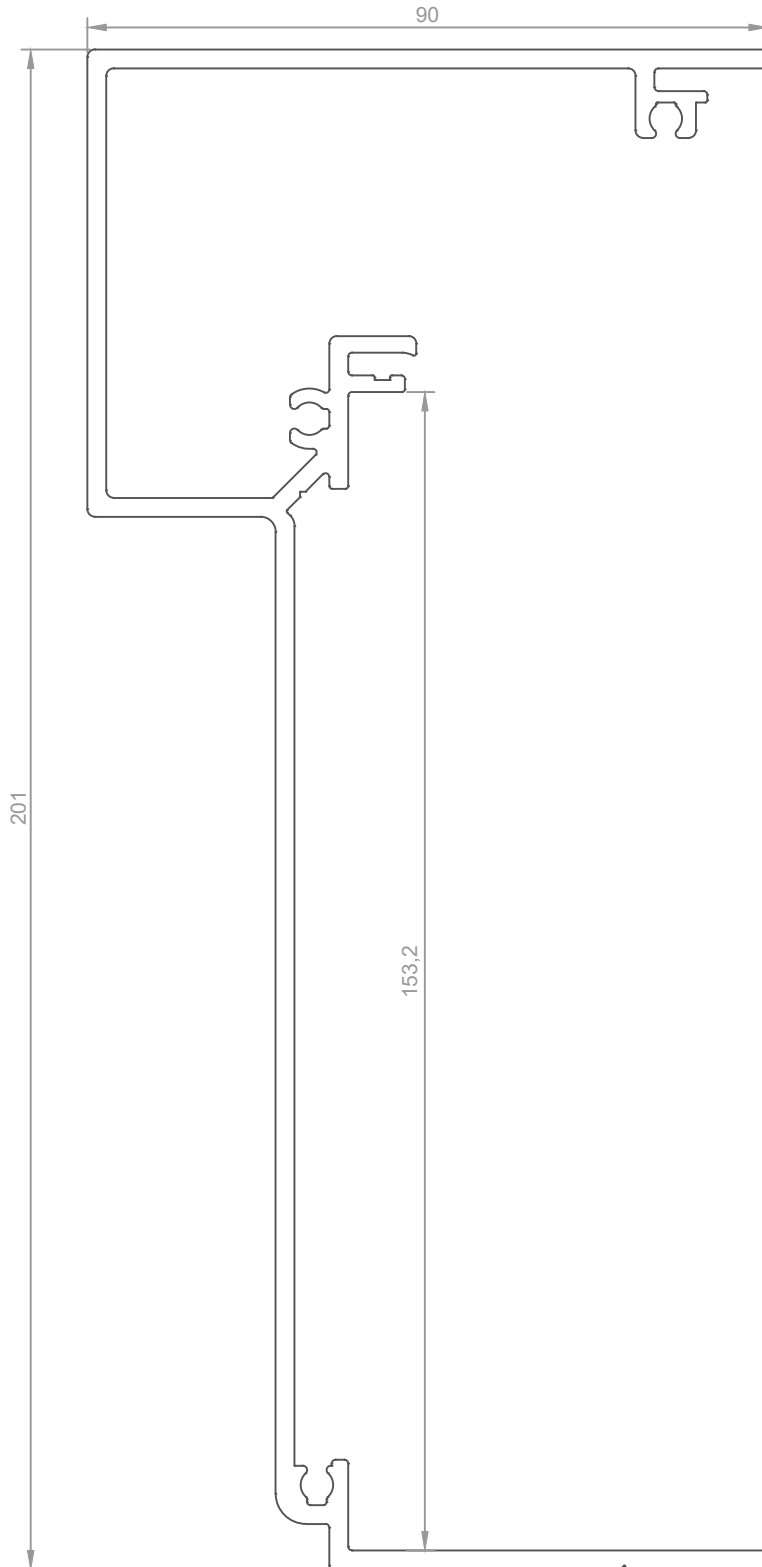


BATTEN BASE	
Part no.	Length
BTB	6500

IMPORTANT NOTICE

THIS DRAWING AND THE DESIGN SHOWN IS THE INTELLECTUAL PROPERTY OF
CONCEPT ARCHITECTURAL SYSTEMS AND IS PROTECTED BY COPYRIGHT. THIS DRAWING MAY NOT BE
 COPIED OR DISTRIBUTED WITHOUT THE WRITTEN CONSENT OF **CONCEPT ARCHITECTURAL SYSTEMS** ©

Gutter Sill Suite

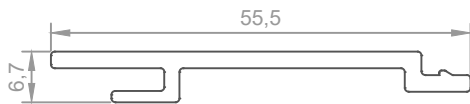
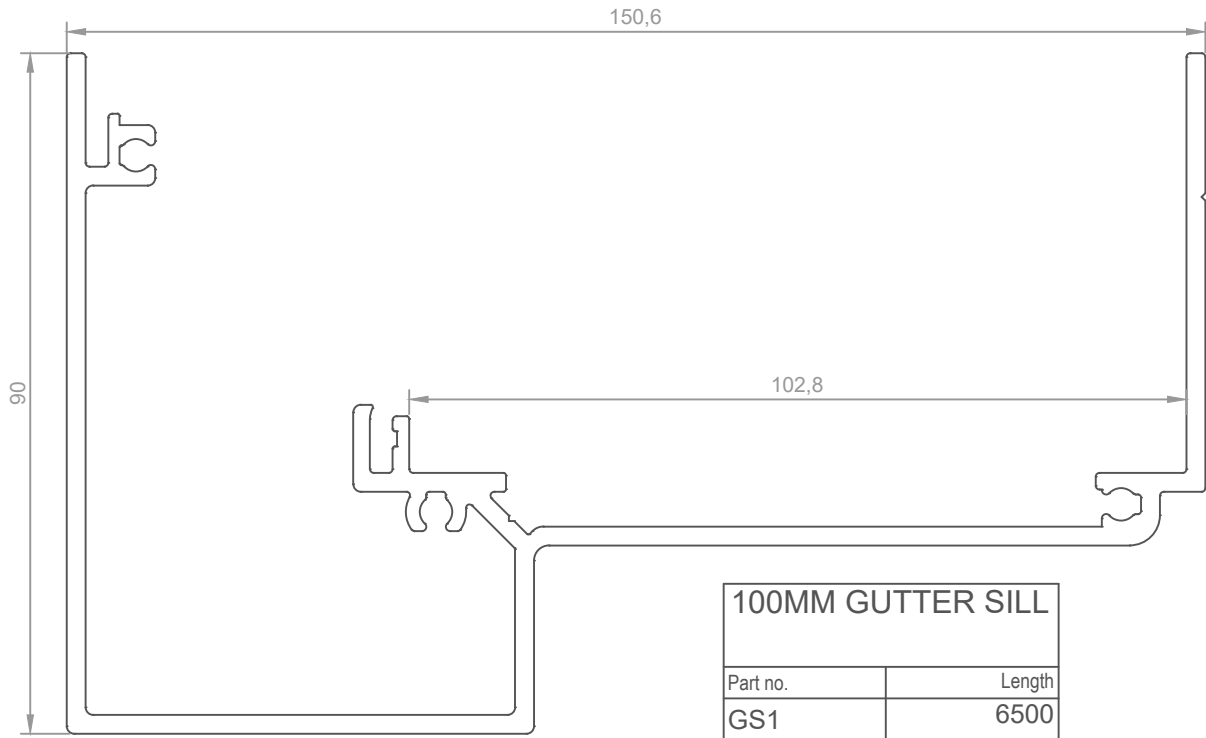


150MM GUTTER SILL

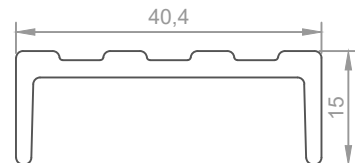
Part no.	Length
GS2	6500

IMPORTANT NOTICE

THIS DRAWING AND THE DESIGN SHOWN IS THE INTELLECTUAL PROPERTY OF
CONCEPT ARCHITECTURAL SYSTEMS AND IS PROTECTED BY COPYRIGHT. THIS DRAWING MAY NOT BE
 COPIED OR DISTRIBUTED WITHOUT THE WRITTEN CONSENT OF **CONCEPT ARCHITECTURAL SYSTEMS** ©

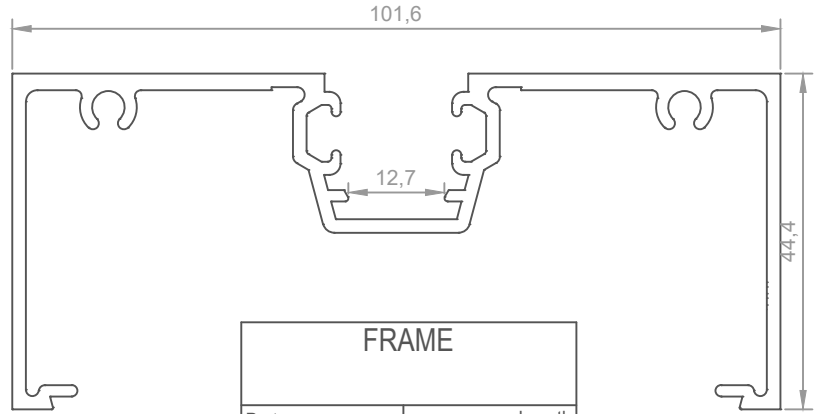


GUTTER SILL BEAD	
Part no.	Length
GS3	6500

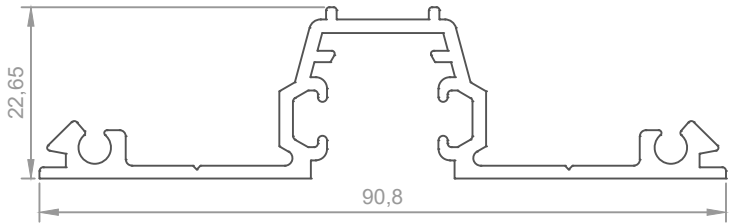


GUTTER SILL GRATE	
Part no.	Length
GS4	6500

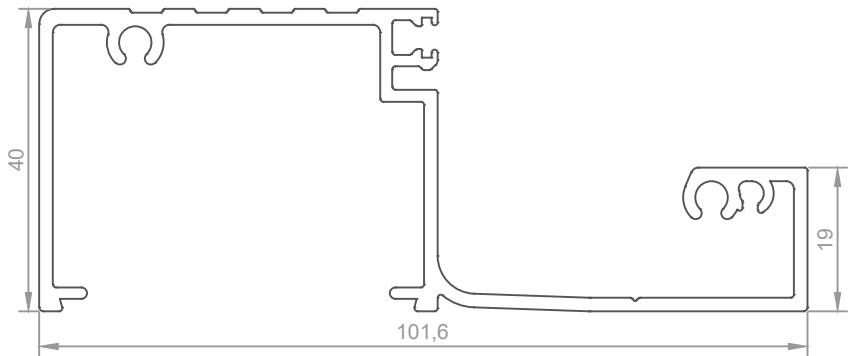
Gas Strut Window



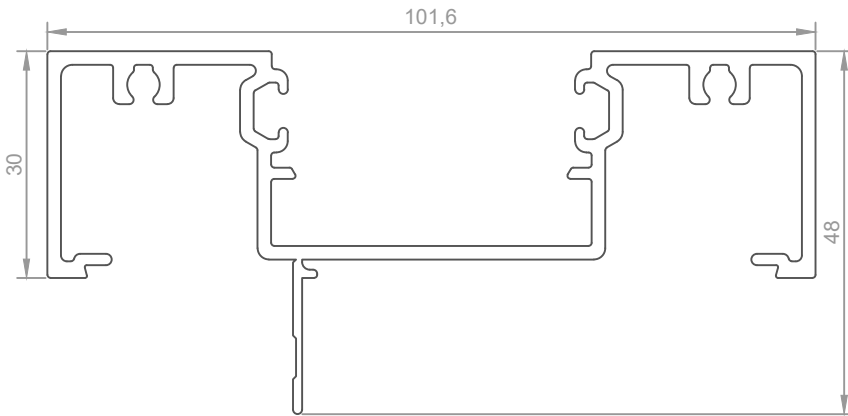
FRAME	
Part no.	Length
CA460	6500



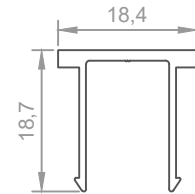
ADAPTER	
Part no.	Length
CA463	6500



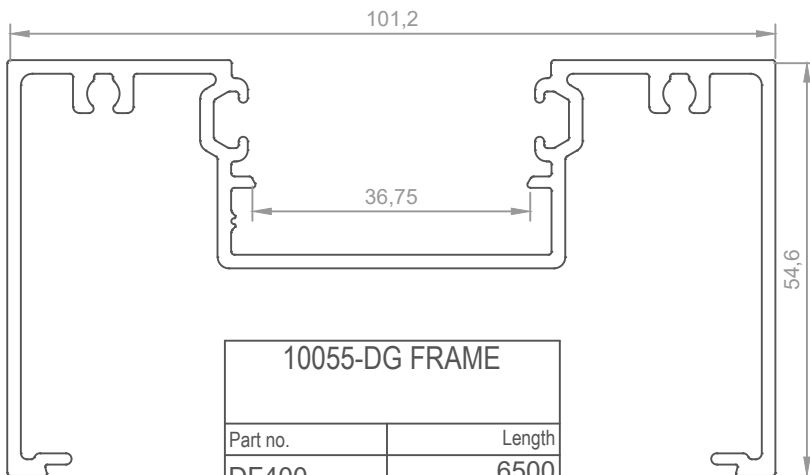
OPEN OUT THRESHOLD	
Part no.	Length
CA429	6500



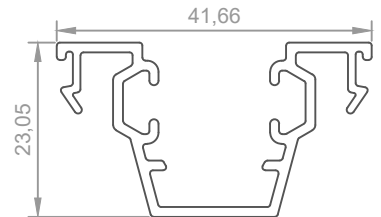
10055-DG NARROW FRAME	
Part no.	Length
DF414	6500



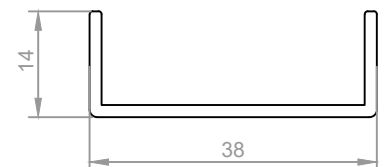
POCKET FILLER	
Part no.	Length
CA409	6500



10055-DG FRAME	
Part no.	Length
DF400	6500



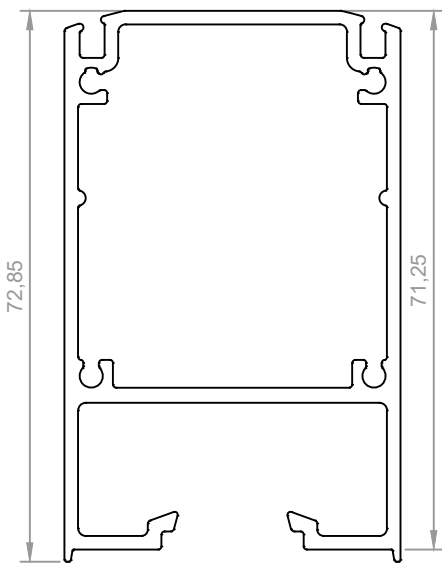
SINGLE GLAZED POCKET INSERT	
Part no.	Length
DF606	6500



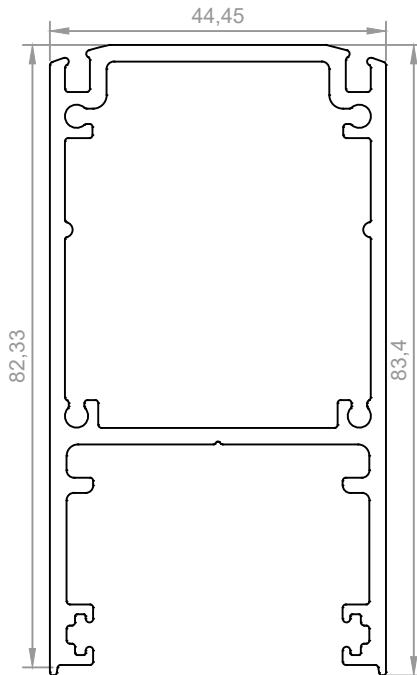
38mm COVER CHANNEL	
Part no.	Length
ECR38	2400

IMPORTANT NOTICE

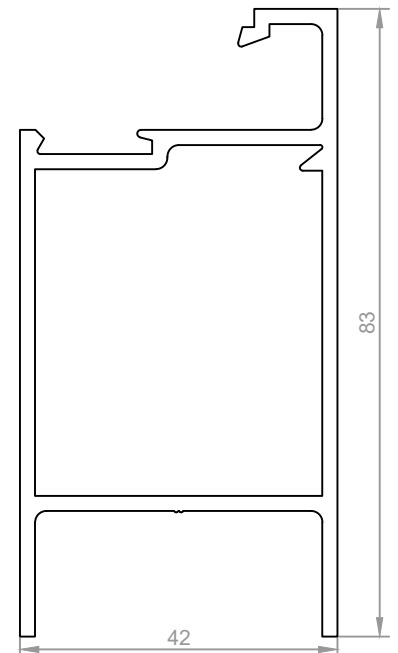
THIS DRAWING AND THE DESIGN SHOWN IS THE INTELLECTUAL PROPERTY OF CONCEPT ARCHITECTURAL SYSTEMS AND IS PROTECTED BY COPYRIGHT. THIS DRAWING MAY NOT BE COPIED OR DISTRIBUTED WITHOUT THE WRITTEN CONSENT OF CONCEPT ARCHITECTURAL SYSTEMS ©



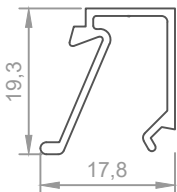
SINGLE GLAZED PIVOT STILE	
Part no.	Length
CD216	6500



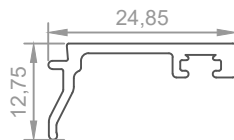
DEEP POCKET PIVOT STILE	
Part no.	Length
DG926	6500



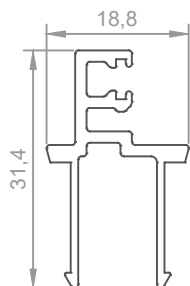
SINGLE GLAZED TOP AND BOTTOM RAIL	
Part no.	Length
CD200	6500



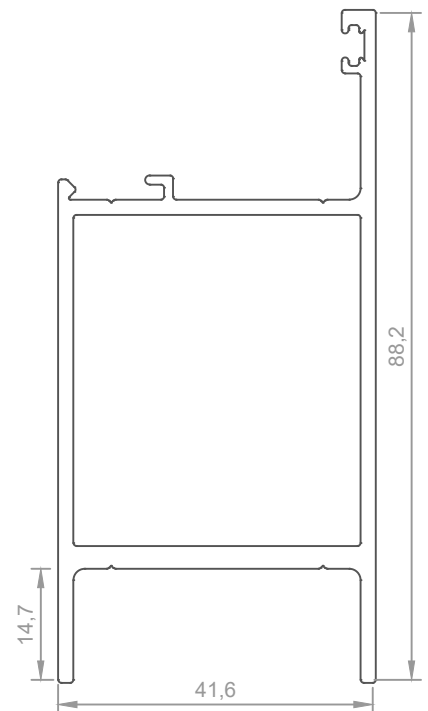
SINGLE GLAZED BEAD	
Part no.	Length
CD202	6500



DOUBLE GLAZED DOOR BEAD	
Part no.	Length
CD318	6500



DOOR STOP	
Part no.	Length
CA458	6500



DOUBLE GLAZED RAIL	
Part no.	Length
DG904	6500

17 Broadfield Rd
Broadmeadows VIC 3061
03 9357 2888
www.conceptaluminium.com.au

