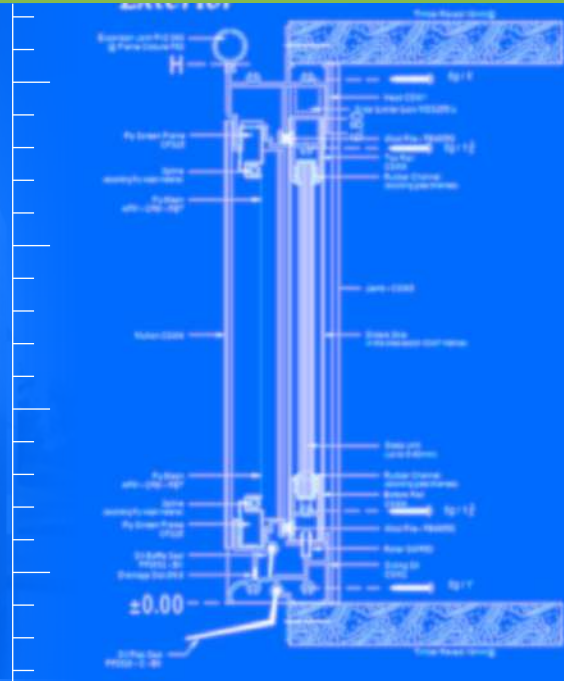




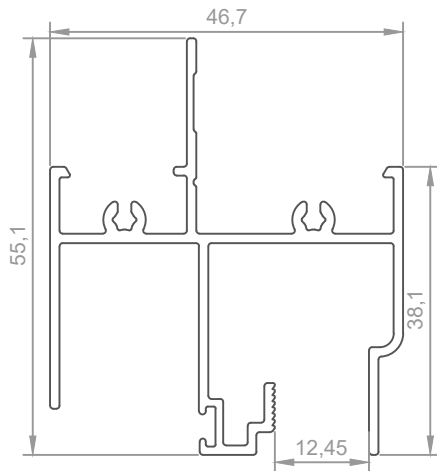
1:1 SCALE RESIDENTIAL PROFILE CATALOGUE



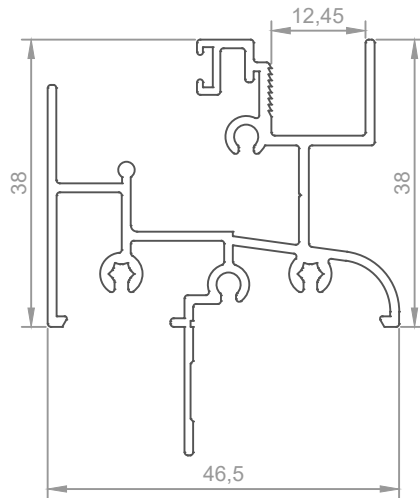
CONTENTS

SLIDING WINDOWS	
Comet Sliding Window	1
Zeus Sliding Window	4
Ultramax Sliding Window	9
AWNING & CASEMENT WINDOWS	
Comet Awning	15
Apollo Awning/Casement	18
Titan Awning/Casement	23
Ultramax Plus Awning/Casement	28
DOUBLE HUNG WINDOWS	
Zeus Double Hung Window	31
Apollo Sashless	34
DOOR SYSTEMS	
Comet Sliding Door	35
Comet Stacket Door	39
Built in Flytrack Apartment Door	43
Apollo Entry Door	52
Windsor Bi-Fold Door	59
MISCELLANEOUS	
Security Profiles	65
Flyscreens	67
Louvres, Battens, Privacy Screens	68

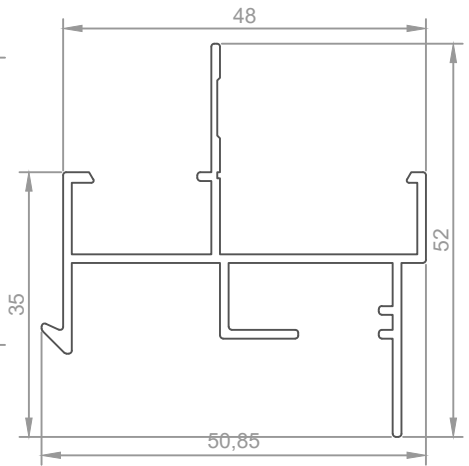
Comet Sliding Window



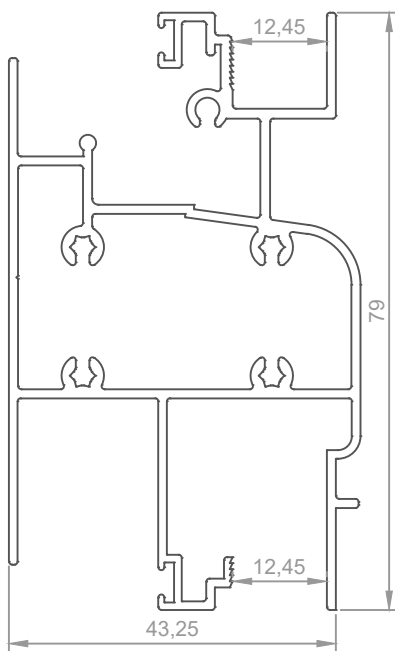
FRAME HEAD	
Part no.	Length
CSW1	6000



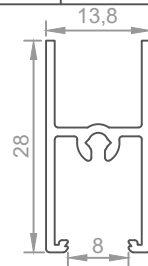
SILL	
Part no.	Length
CSW2	6000



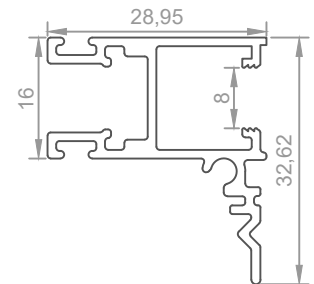
JAMB	
Part no.	Length
CSW3	6200



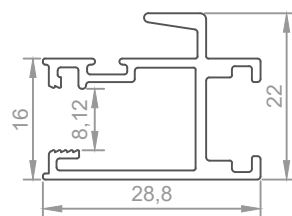
TRANSOM	
Part no.	Length
CSW5	6000



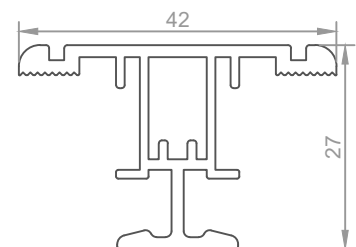
TOP/BOTTOM RAIL	
Part no.	Length
CSW8	6000



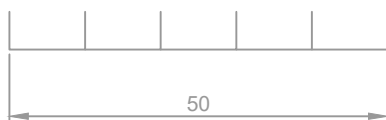
LOCK STILE	
Part no.	Length
CSW6	6000



INTERLOCK STILE	
Part no.	Length
CSW7	6000

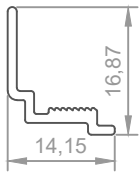


MULLION	
Part no.	Length
CSW4	6000

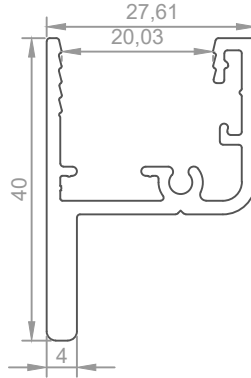


IMPORTANT NOTICE

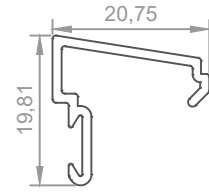
THIS DRAWING AND THE DESIGN SHOWN IS THE INTELLECTUAL PROPERTY OF CONCEPT ARCHITECTURAL SYSTEMS AND IS PROTECTED BY COPYRIGHT. THIS DRAWING MAY NOT BE COPIED OR DISTRIBUTED WITHOUT THE WRITTEN CONSENT OF CONCEPT ARCHITECTURAL SYSTEMS ©



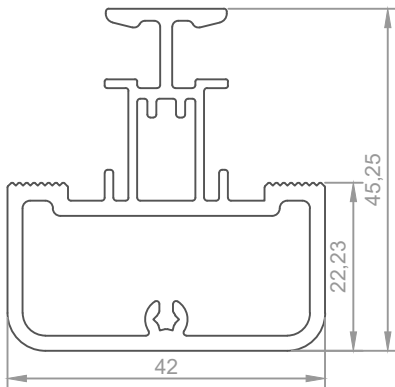
GLAZING BEAD	
Part no.	Length
CSW12	5000



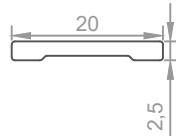
DOUBLE GLAZING ADAPTER	
Part no.	Length
CSW17	6000



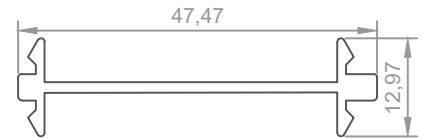
THRESHOLD	
Part no.	Length
CSW18	4000



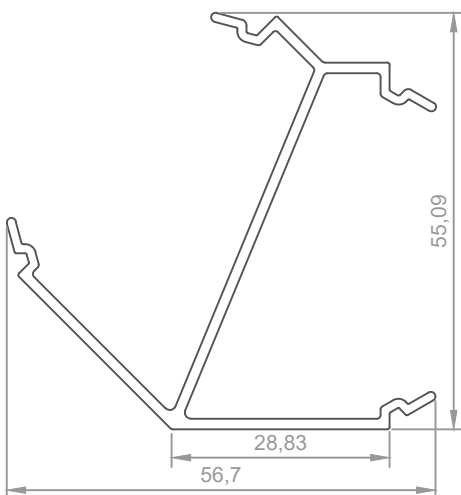
HEAVY DUTY MULLION	
Part no.	Length
CSW20	6000



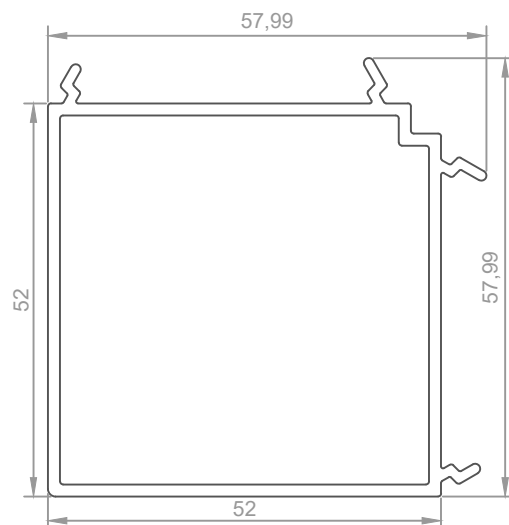
COLONIAL BAR	
Part no.	Length
F75	3600



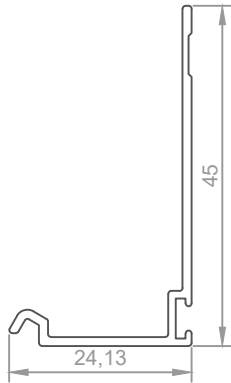
BACK TO BACK ADAPTER	
Part no.	Length
CSW9	6000



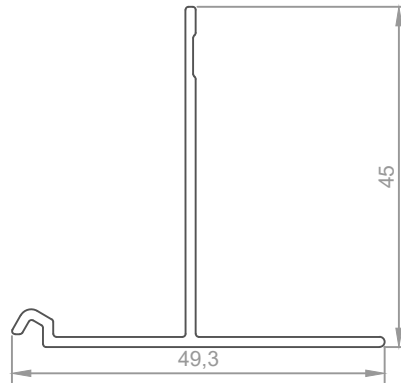
135 DEGREE BAY COUPLER	
Part no.	Length
CSW10	6000



CORNER COUPLER	
Part no.	Length
BC50	6500



REVEAL CLOSER	
Part no.	Length
F60	6000

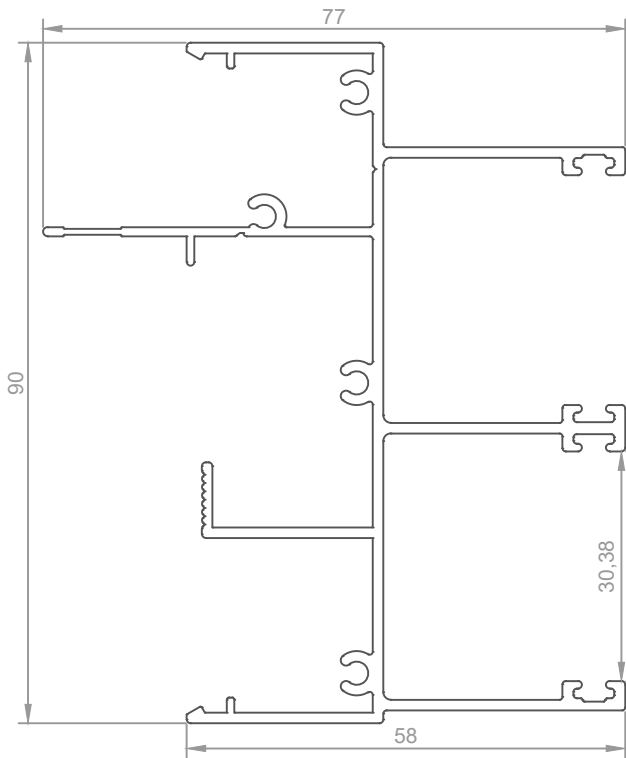


EXTENDED FRAME CLOSER	
Part no.	Length
F61	6000

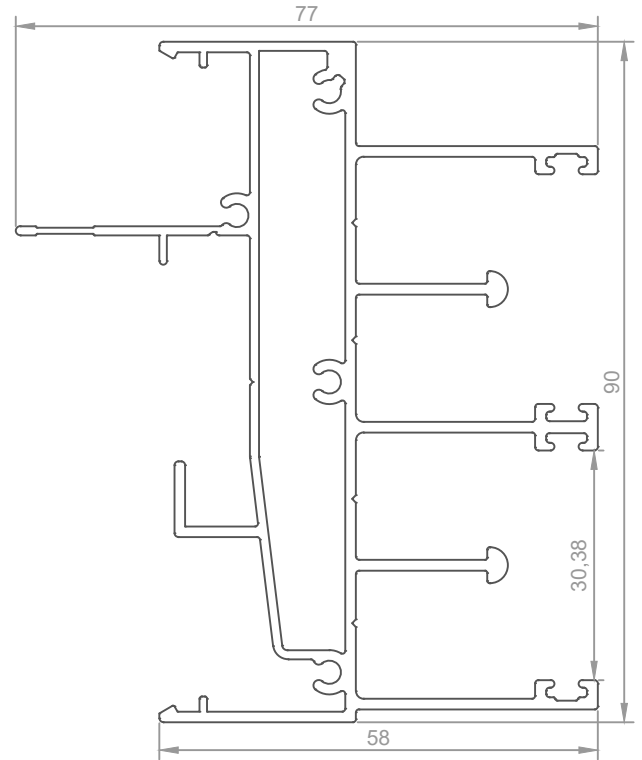
IMPORTANT NOTICE

THIS DRAWING AND THE DESIGN SHOWN IS THE INTELLECTUAL PROPERTY OF
CONCEPT ARCHITECTURAL SYSTEMS AND IS PROTECTED BY COPYRIGHT. THIS DRAWING MAY NOT BE
 COPIED OR DISTRIBUTED WITHOUT THE WRITTEN CONSENT OF **CONCEPT ARCHITECTURAL SYSTEMS** ©

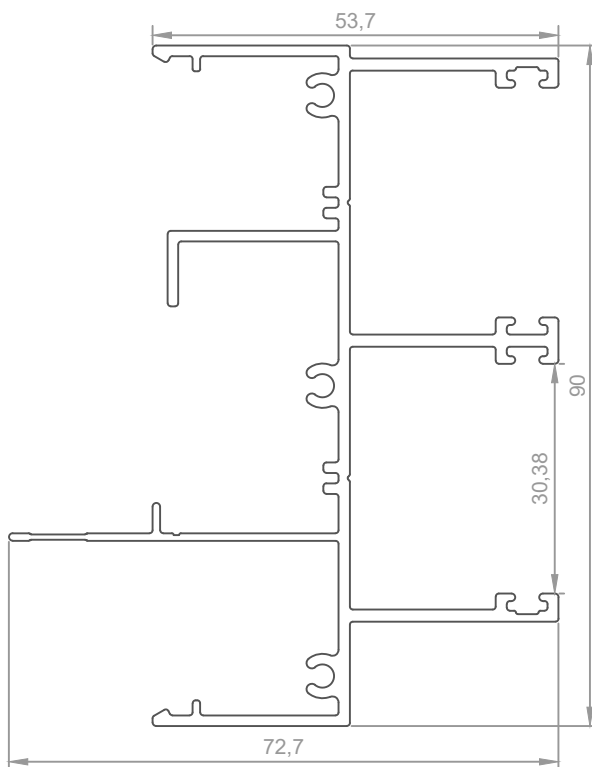
Zeus Sliding Window



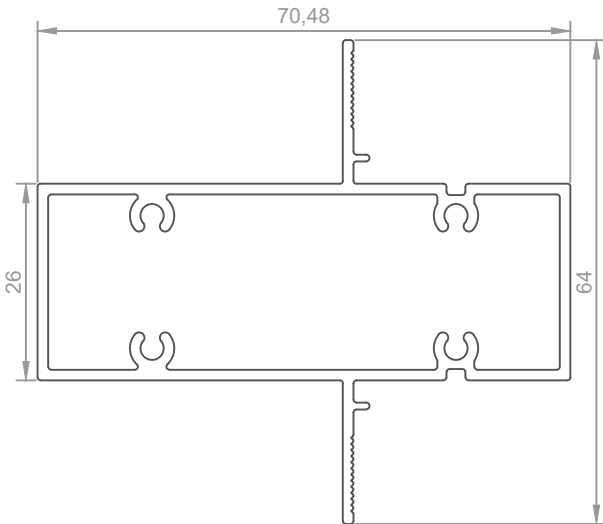
HEAD	
Part no.	Length
DGS86	6000



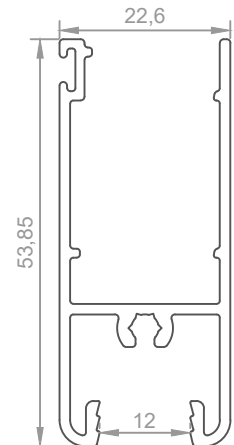
SILL/TRANSOM	
Part no.	Length
DGS85	6000



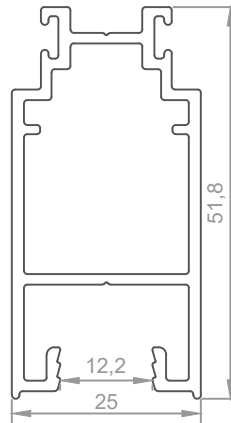
JAMB	
Part no.	Length
DGS90	6000



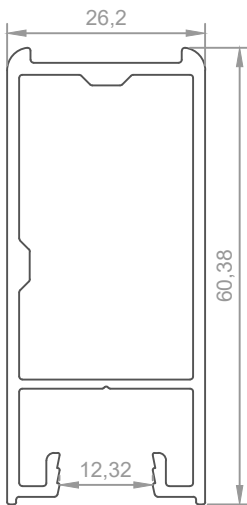
TRACK FLAT FILLER	
Part no.	Length
DGS87	6000



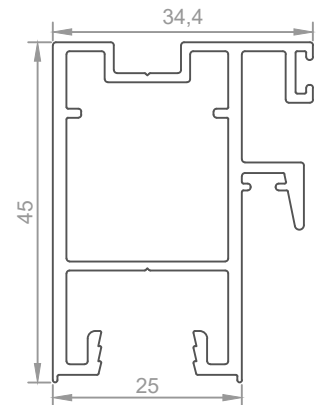
LOW-LITE MULLION	
Part no.	Length
DGS71	6000



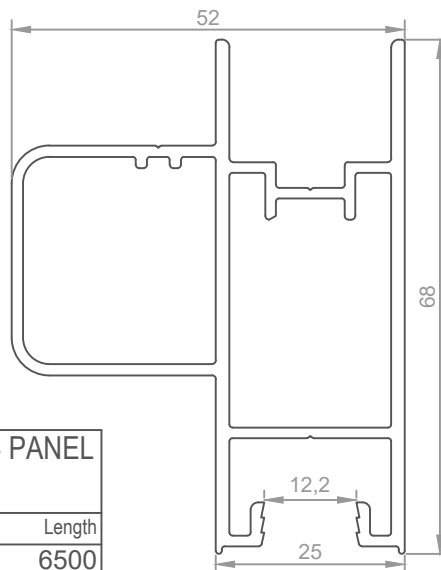
SINGLE GLAZED RAIL	
Part no.	Length
CSD4	6500



SINGLE GLAZED LOCK STILE	
Part no.	Length
CSD5	4900 / 6500

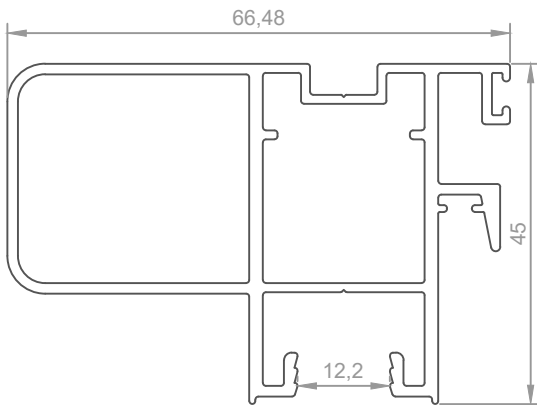


SINGLE GLAZED LOCK STILE	
Part no.	Length
DGS92	6000

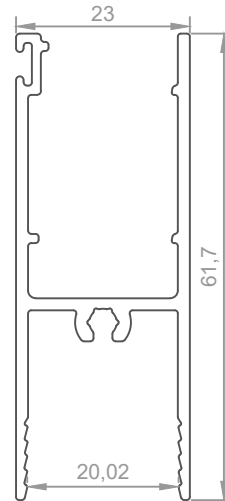


SINGLE GLAZED INTERLOCK STILE	
Part no.	Length
CSD6	4900 / 6500

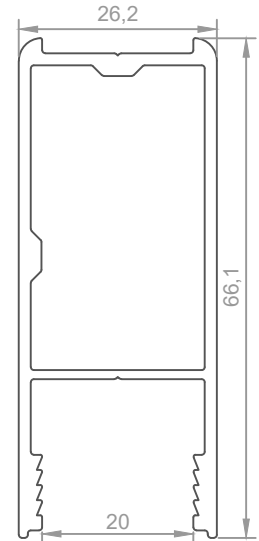
SINGLE GLAZED 4 PANEL ADAPTER	
Part no.	Length
STK7	6500



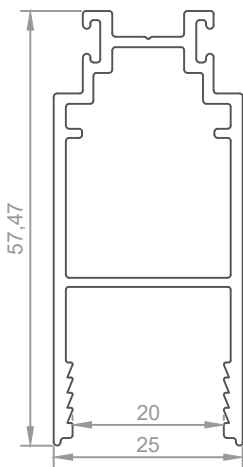
SINGLE GLAZED HEAVY DUTY INTERLOCK	
Part no.	Length
STK4	4900 / 6500



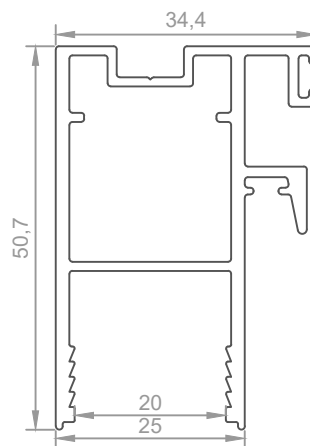
DOUBLE GLAZED RAIL	
Part no.	Length
DGS81	6500



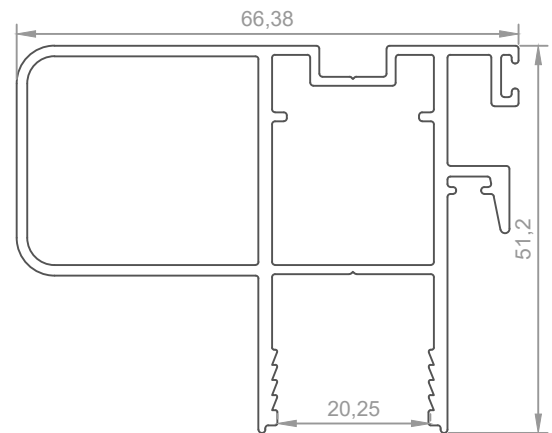
DOUBLE GLAZED LOCK STILE	
Part no.	Length
DGS98	6500



DOUBLE GLAZED LOCK STILE	
Part no.	Length
DGS96	4900 / 6500



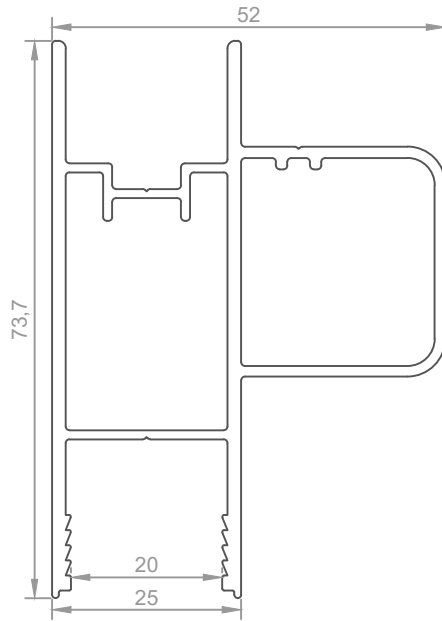
DOUBLE GLAZED INTERLOCK	
Part no.	Length
DGS97	4900 / 6500



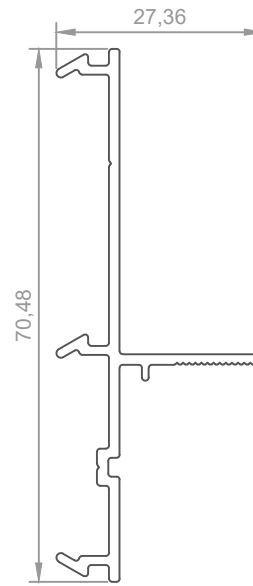
DOUBLE GLAZED HEAVY DUTY INTERLOCK	
Part no.	Length
DGS80	4900 / 6500

IMPORTANT NOTICE

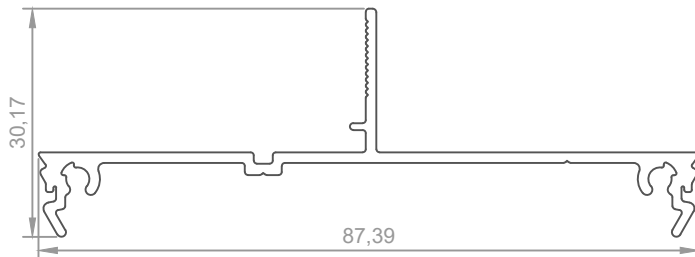
THIS DRAWING AND THE DESIGN SHOWN IS THE INTELLECTUAL PROPERTY OF CONCEPT ARCHITECTURAL SYSTEMS AND IS PROTECTED BY COPYRIGHT. THIS DRAWING MAY NOT BE COPIED OR DISTRIBUTED WITHOUT THE WRITTEN CONSENT OF CONCEPT ARCHITECTURAL SYSTEMS ©



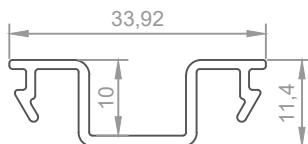
DOUBLE GLAZED 4 PANEL ADAPTER	
Part no.	Length
DGS82	6500



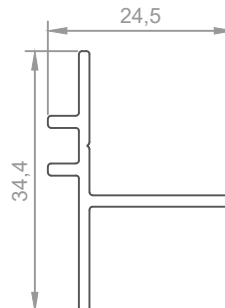
SLIDING STILE ADAPTER	
Part no.	Length
DGS70	6000



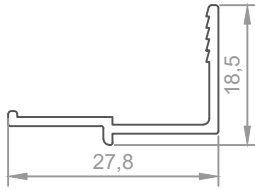
SILL ADAPTER	
Part no.	Length
DGS72	6000



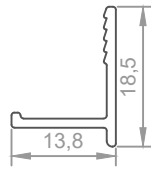
FLYSCREEN CHANNEL ADAPTER	
Part no.	Length
DGS88	6000



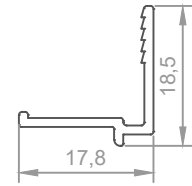
PLANT-ON INTERLOCK FLYSCREEN ADAPTER	
Part no.	Length
DGS89	6000



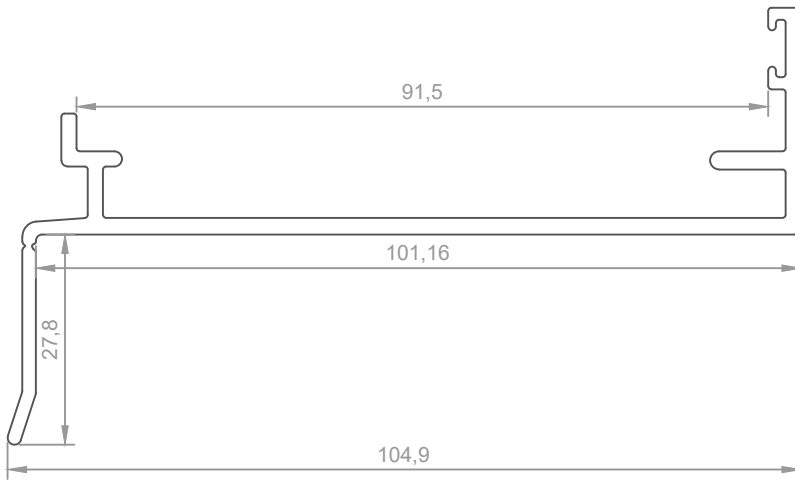
DOUBLE GLAZED BEAD	
Part no.	Length
F55	6000



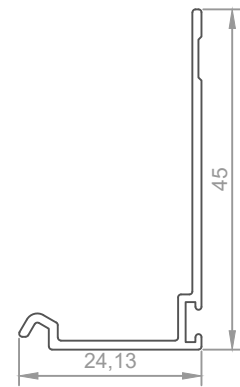
SINGLE GLAZED BEAD	
Part no.	Length
F56	6000



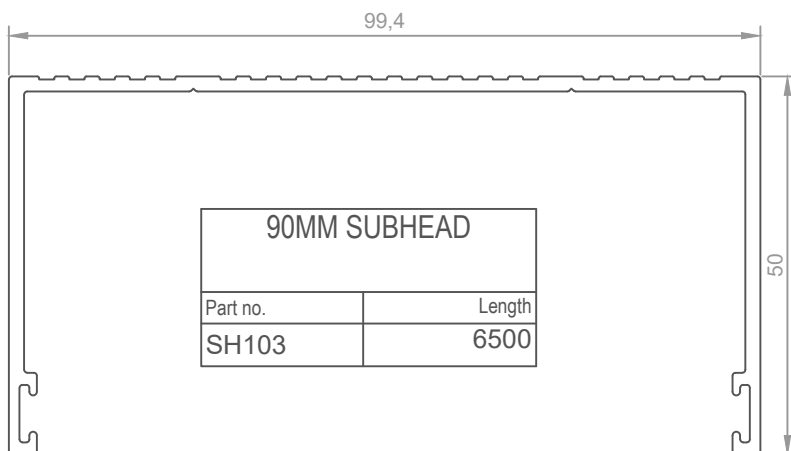
SINGLE GLAZED FRAME BEAD	
Part no.	Length
F65	6000



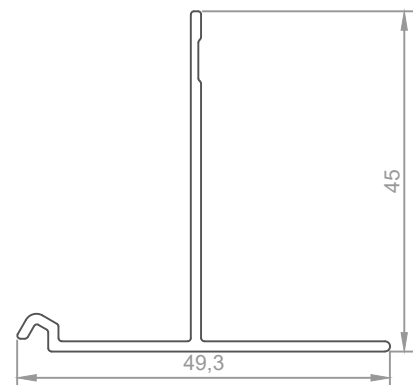
SLOTTED SUBSILL	
Part no.	Length
SH102	6500



REVEAL CLOSER	
Part no.	Length
F60	6000



90MM SUBHEAD	
Part no.	Length
SH103	6500

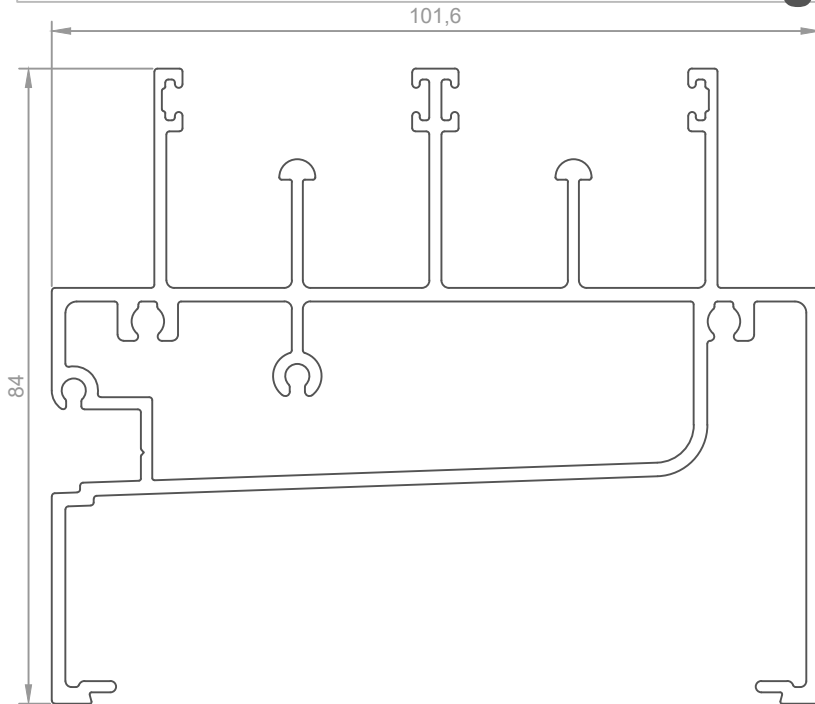


EXTENDED FRAME CLOSER	
Part no.	Length
F61	6000

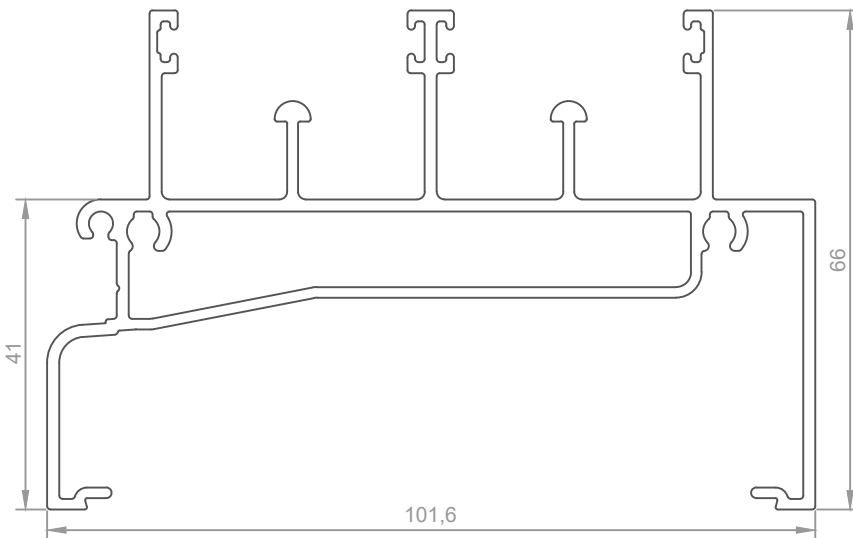
IMPORTANT NOTICE

THIS DRAWING AND THE DESIGN SHOWN IS THE INTELLECTUAL PROPERTY OF CONCEPT ARCHITECTURAL SYSTEMS AND IS PROTECTED BY COPYRIGHT. THIS DRAWING MAY NOT BE COPIED OR DISTRIBUTED WITHOUT THE WRITTEN CONSENT OF CONCEPT ARCHITECTURAL SYSTEMS ©

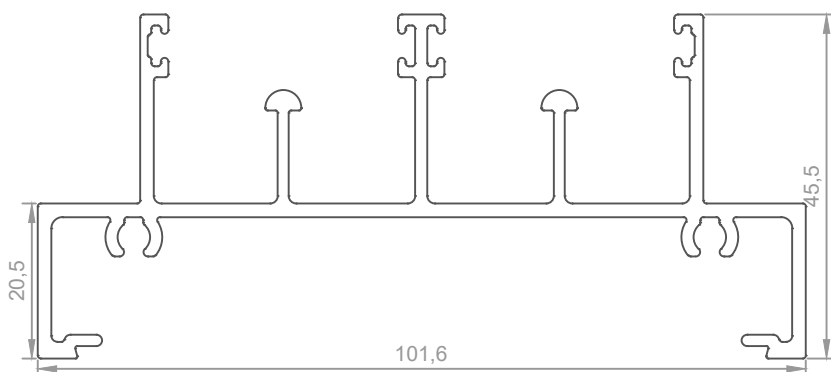
Ultramax Sliding Window



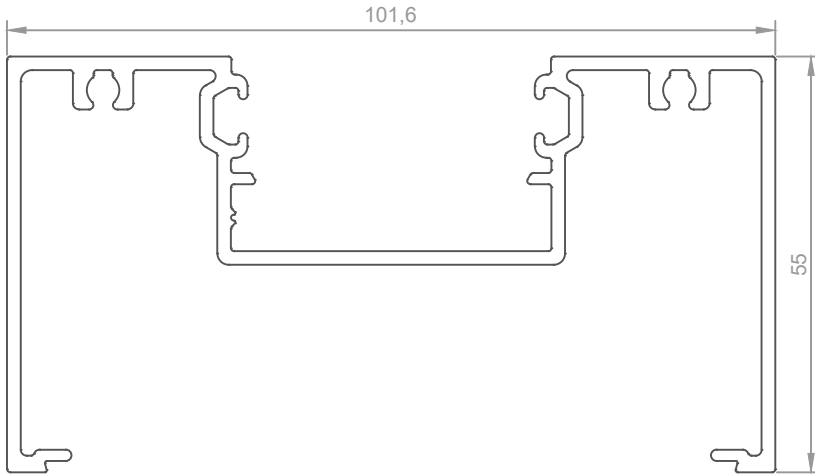
SILL	
Part no.	Length
DF409	6500



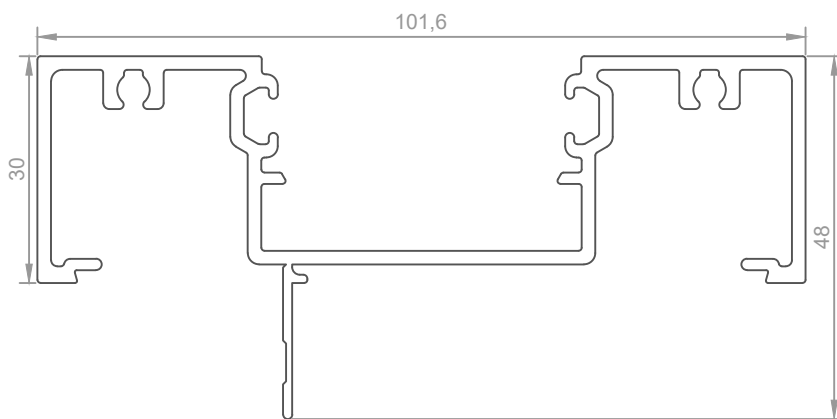
SILL	
Part no.	Length
DF416	6500



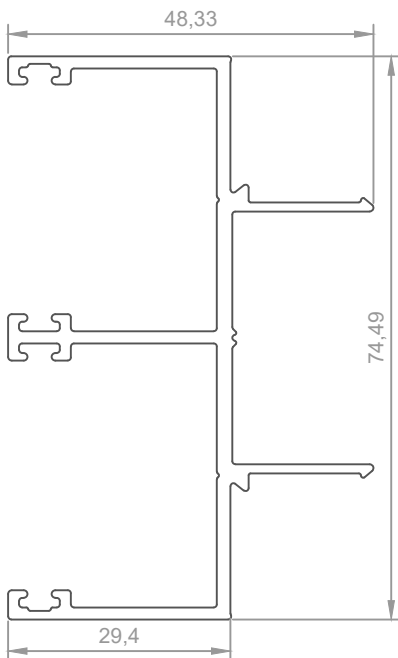
NARROW SILL	
Part no.	Length
DF415	6500



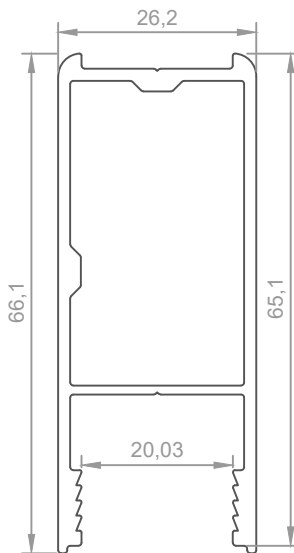
FRAME	
Part no.	Length
DF400	6500



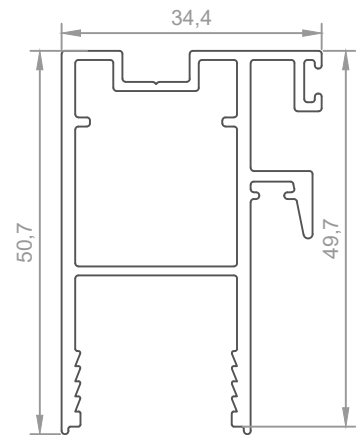
NARROW FRAME	
Part no.	Length
DF414	6500



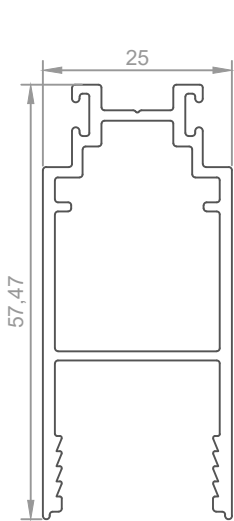
JAMB/HEAD ADAPTER	
Part no.	Length
DF410	6500



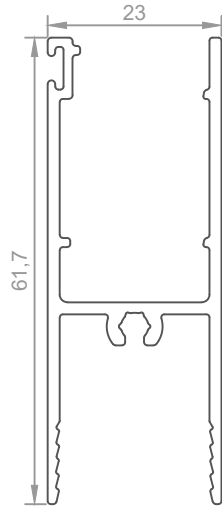
DOUBLE GLAZED LOCK STILE	
Part no.	Length
DGS98	6500



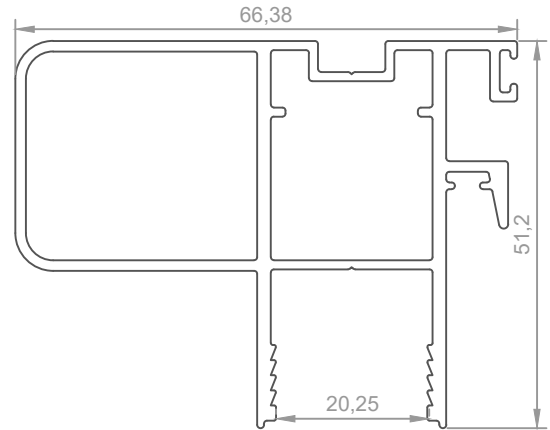
DOUBLE GLAZED INTERLOCK	
Part no.	Length
DGS97	4900 / 6500



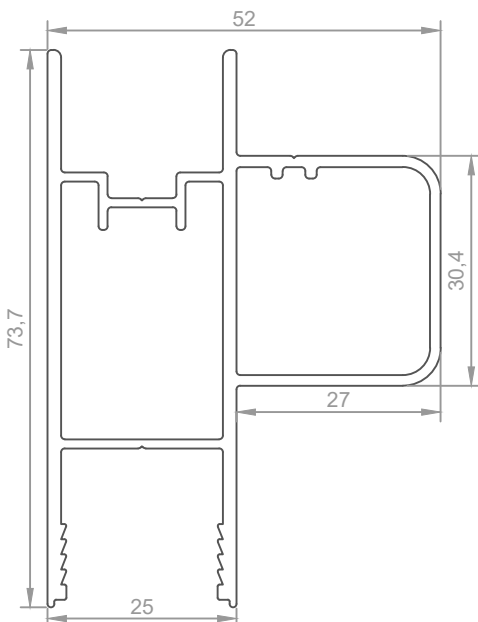
DOUBLE GLAZED LOCK STILE	
Part no.	Length
DGS96	4900 / 6500



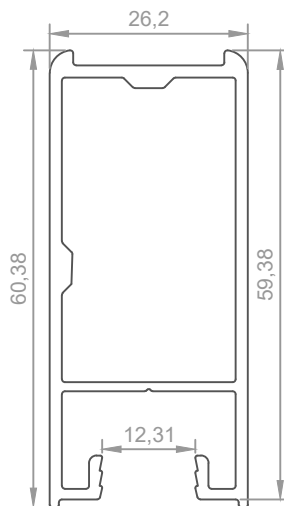
DOUBLE GLAZED RAIL	
Part no.	Length
DGS81	6500



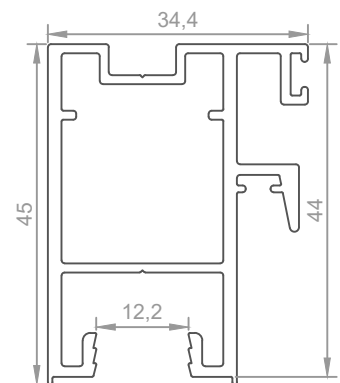
DOUBLE GLAZED HEAVY DUTY INTERLOCK	
Part no.	Length
DGS80	4900 / 6500



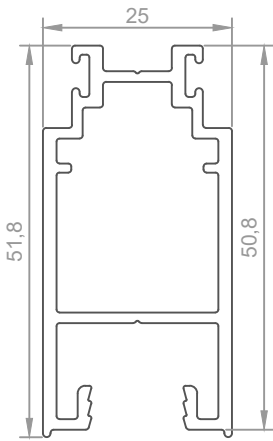
DOUBLE GLAZED 4 PANEL ADAPTER	
Part no.	Length
DGS81	6500



SINGLE GLAZED LOCK STILE	
Part no.	Length
DGS96	6500

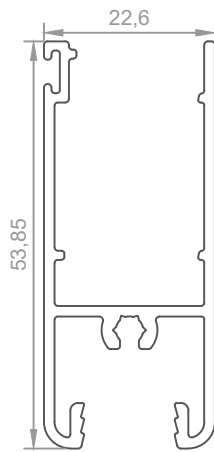


SINGLE GLAZED INTERLOCK	
Part no.	Length
CSD6	4900 / 6500



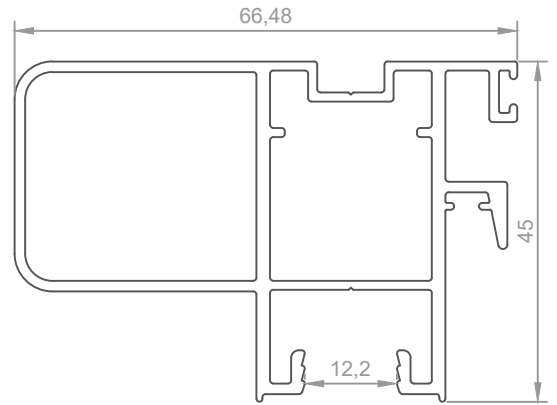
SINGLE GLAZED LOCK STILE

Part no.	Length
CSD5	4900 / 6500



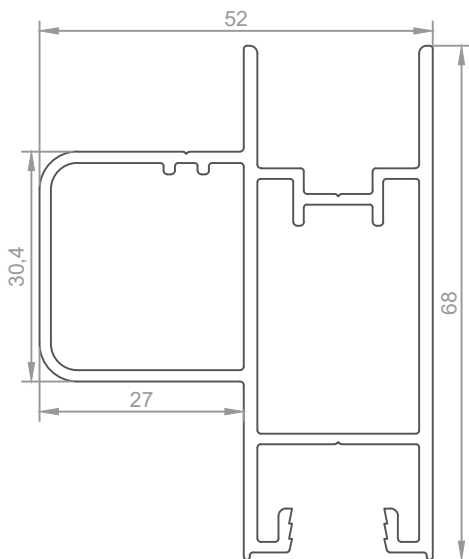
SINGLE GLAZED RAIL

Part no.	Length
CSD4	6500



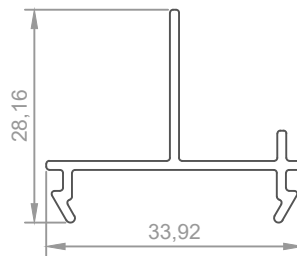
SINGLE GLAZED HEAVY DUTY INTERLOCK

Part no.	Length
STK4	4900 / 6500



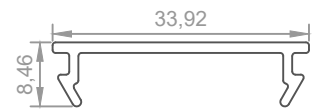
SINGLE GLAZED 4 PANEL ADAPTER

Part no.	Length
STK7	6500



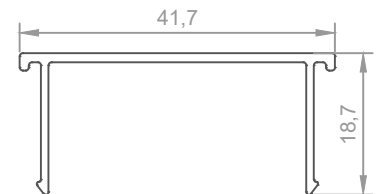
FLYSCREEN ADAPTER

Part no.	Length
DGS73	6000



TRACK FLAT FILLER

Part no.	Length
DGS87	6000

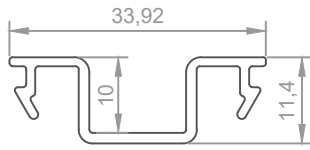


JAMB POCKET FILLER

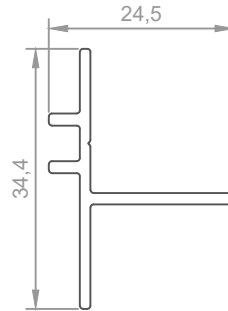
Part no.	Length
DF605	6500

IMPORTANT NOTICE

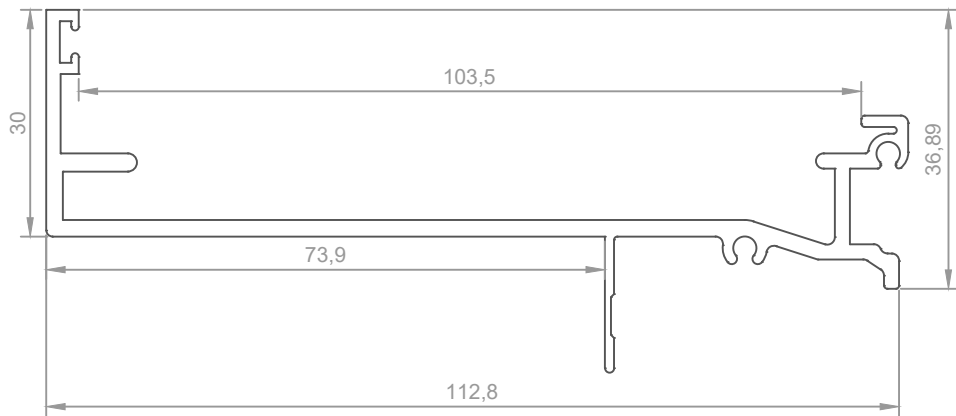
THIS DRAWING AND THE DESIGN SHOWN IS THE INTELLECTUAL PROPERTY OF CONCEPT ARCHITECTURAL SYSTEMS AND IS PROTECTED BY COPYRIGHT. THIS DRAWING MAY NOT BE COPIED OR DISTRIBUTED WITHOUT THE WRITTEN CONSENT OF CONCEPT ARCHITECTURAL SYSTEMS ©



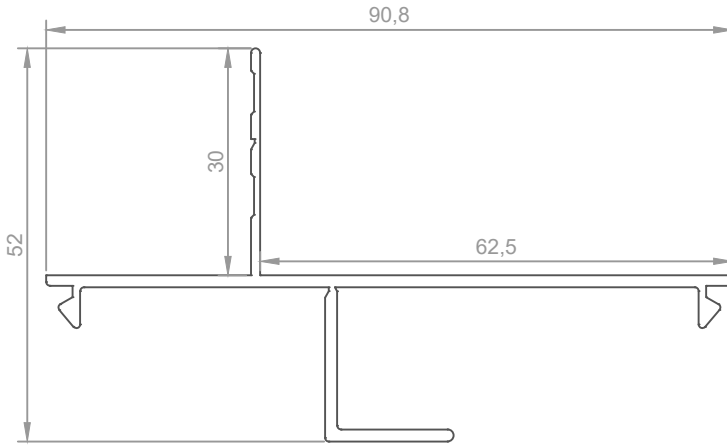
FLYSCREEN CHANNEL ADAPTER	
Part no.	Length
DGS88	6000



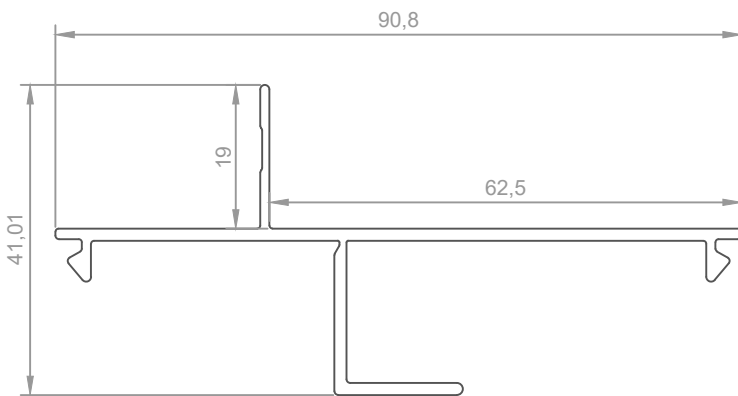
PLANT-ON INTERLOCK FLYSCREEN ADAPTER	
Part no.	Length
DGS89	6000



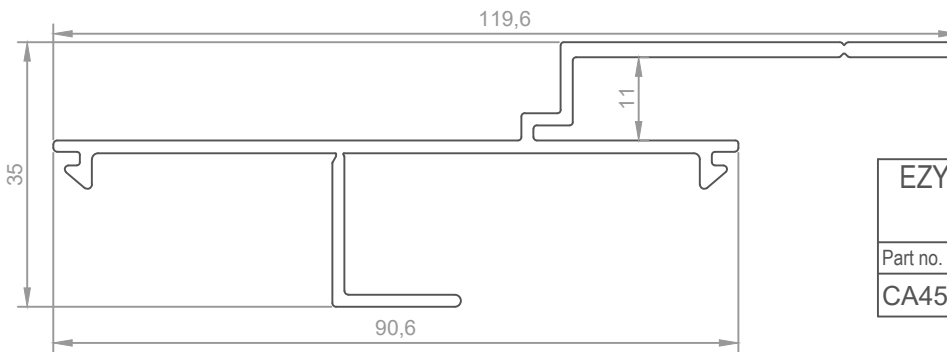
114MM SUBSILL WITH FIN	
Part no.	Length
SS21	6500



REVEAL ADAPTER	
Part no.	Length
CA430	6500



REVEAL ADAPTER	
Part no.	Length
CA490	6500

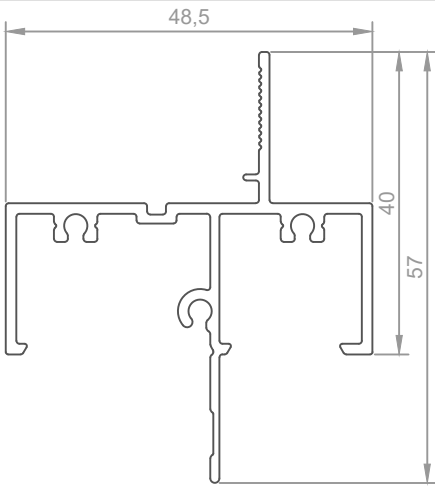


EZY REVEAL ADAPTER	
Part no.	Length
CA450	6500

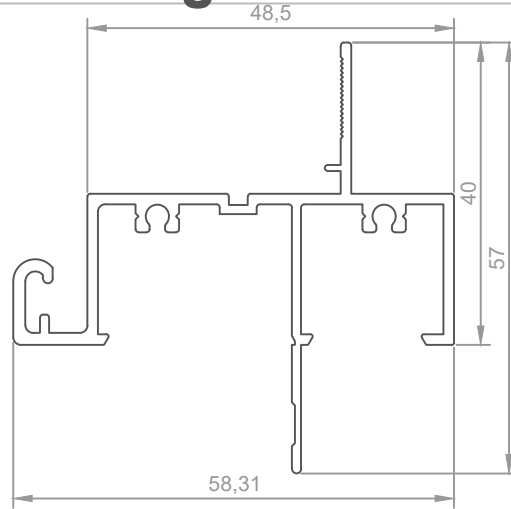


EZY REVEAL ADAPTER	
Part no.	Length
CA493	6500

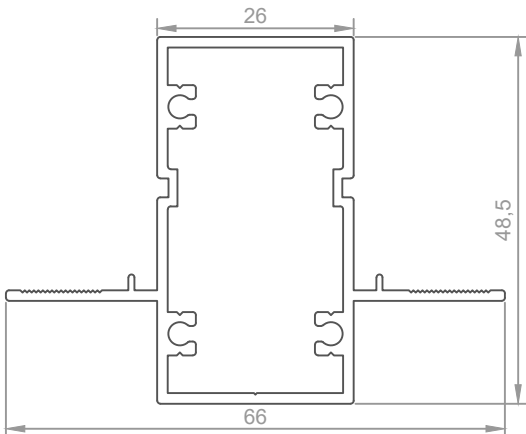
Comet Awning Window



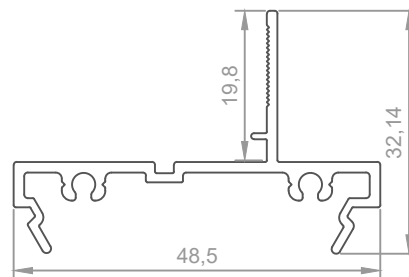
FRAME	
Part no.	Length
F50	6000



HOOK HEAD	
Part no.	Length
F58	6000

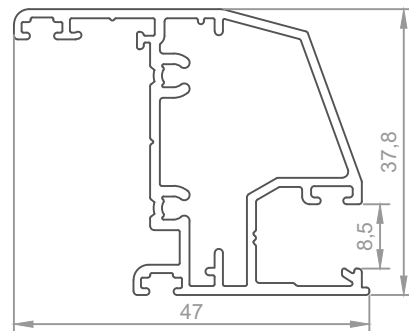


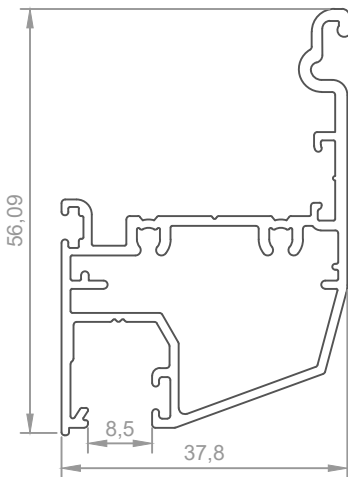
TRANSOM	
Part no.	Length
F51	6000



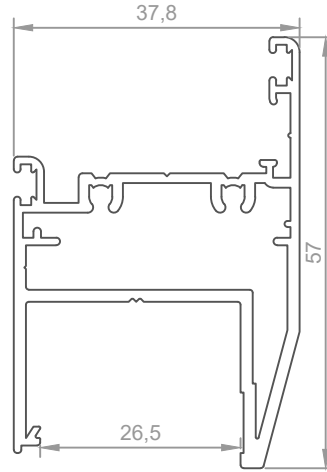
ADAPTER	
Part no.	Length
F52	6000

SINGLE GLAZED SASH	
Part no.	Length
F53	6000

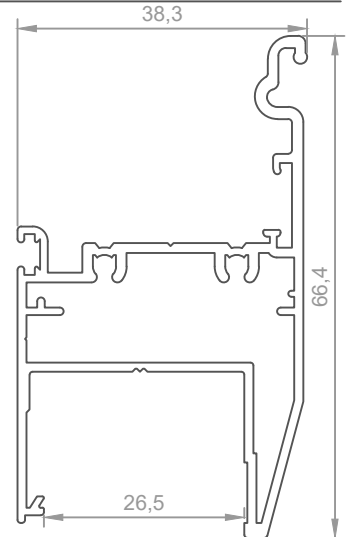




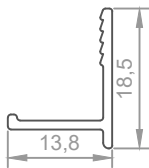
SINGLE GLAZED HOOK SASH	
Part no.	Length
F59	6000



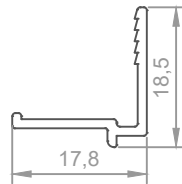
DOUBLE GLAZED SASH	
Part no.	Length
F62	6000



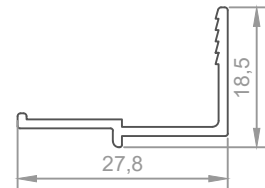
DOUBLE GLAZED HOOK SASH	
Part no.	Length
F63	6000



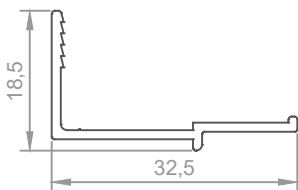
SINGLE GLAZED BEAD	
Part no.	Length
F56	6000



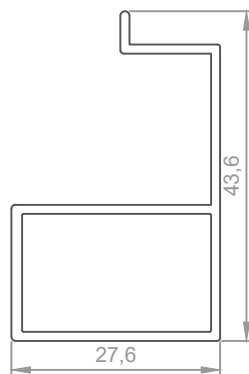
SINGLE GLAZED BEAD	
Part no.	Length
F65	6000



DOUBLE GLAZED BEAD	
Part no.	Length
F55	6000



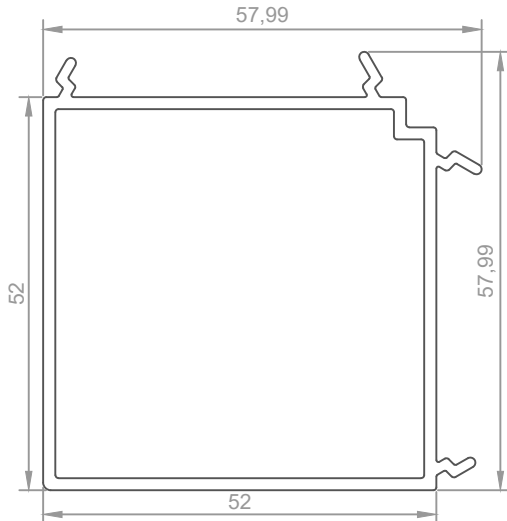
DOUBLE GLAZED BEAD	
Part no.	Length
F64	6000



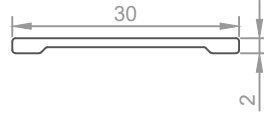
CHAIN WINDER ADAPTER	
Part no.	Length
F57	5400

IMPORTANT NOTICE

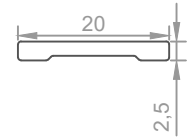
THIS DRAWING AND THE DESIGN SHOWN IS THE INTELLECTUAL PROPERTY OF CONCEPT ARCHITECTURAL SYSTEMS AND IS PROTECTED BY COPYRIGHT. THIS DRAWING MAY NOT BE COPIED OR DISTRIBUTED WITHOUT THE WRITTEN CONSENT OF CONCEPT ARCHITECTURAL SYSTEMS ©



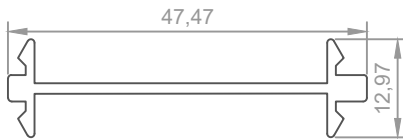
CORNER COUPLER	
Part no.	Length
BC50	6000



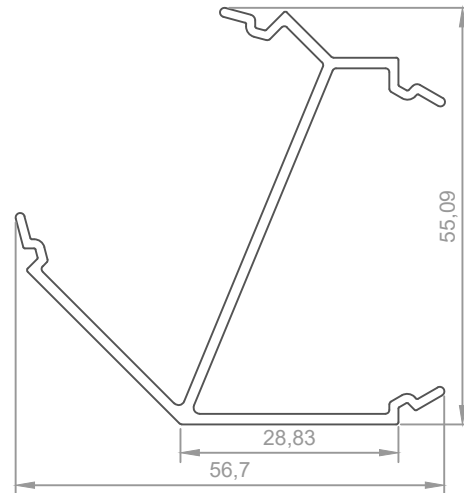
COLONIAL BAR	
Part no.	Length
F74	5000



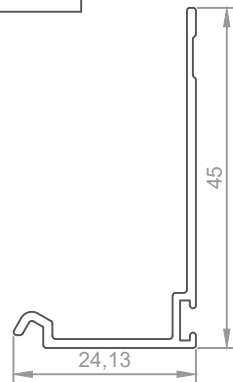
COLONIAL BAR	
Part no.	Length
F75	3600



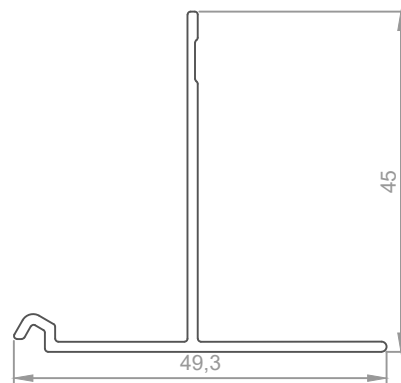
BACK TO BACK ADAPTER	
Part no.	Length
CSW9	6000



135 DEGREE BAY COUPLER	
Part no.	Length
CSW10	6000

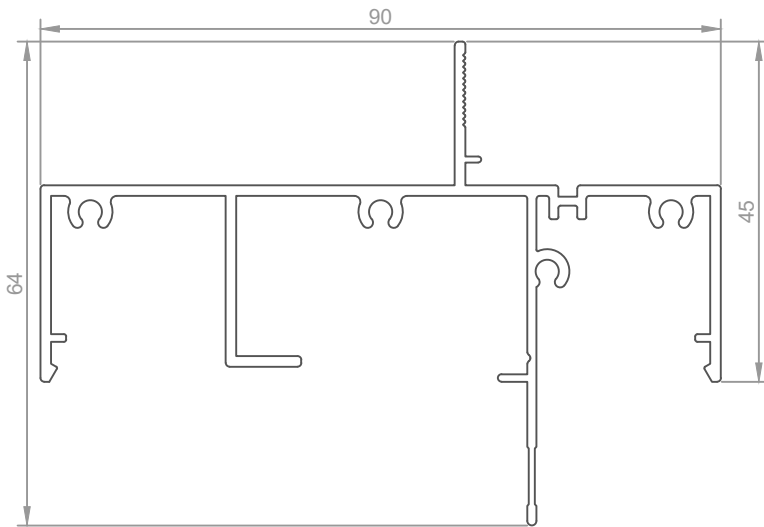


REVEAL CLOSER	
Part no.	Length
F60	6000

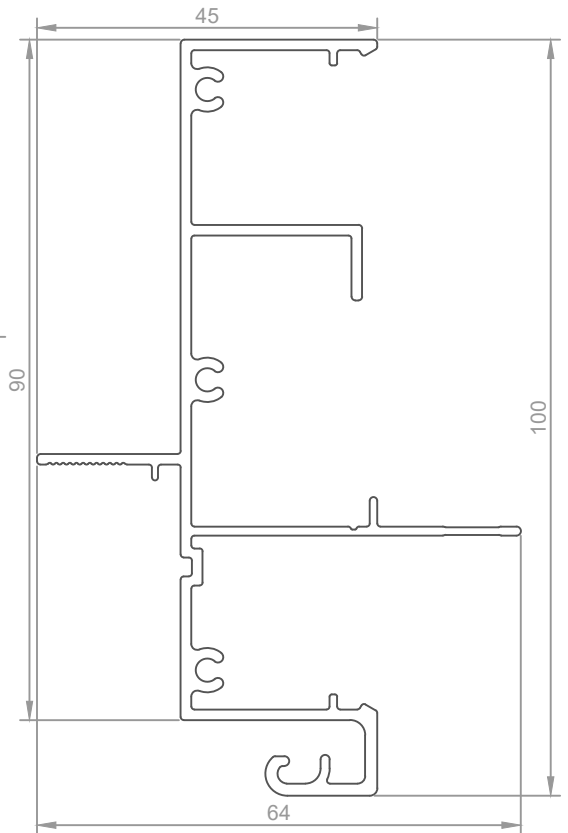


EXTENDED FRAME CLOSER	
Part no.	Length
F61	6000

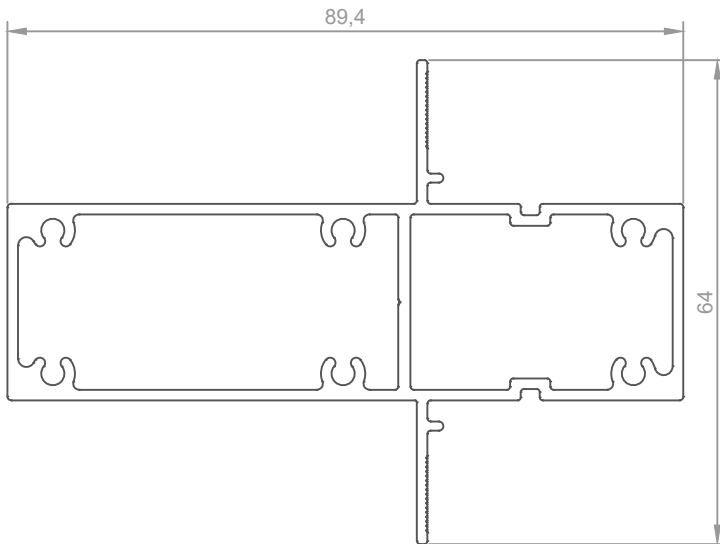
Apollo Awning/Casement Window



FRAME	
Part no.	Length
F90	6000



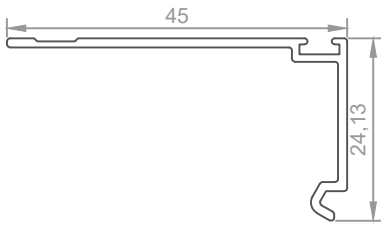
HOOK HEAD	
Part no.	Length
F99	6000



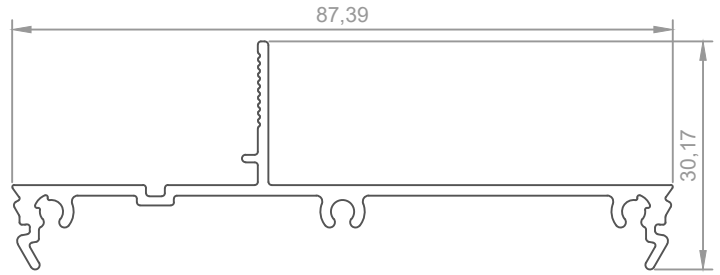
BOX TRANSOM	
Part no.	Length
F94	6000

IMPORTANT NOTICE

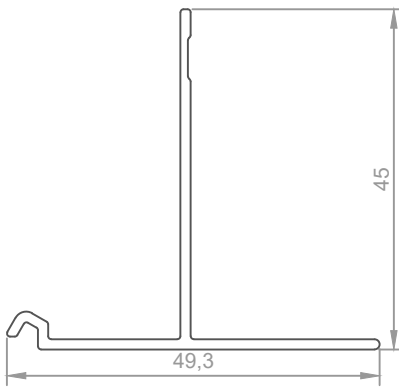
THIS DRAWING AND THE DESIGN SHOWN IS THE INTELLECTUAL PROPERTY OF CONCEPT ARCHITECTURAL SYSTEMS AND IS PROTECTED BY COPYRIGHT. THIS DRAWING MAY NOT BE COPIED OR DISTRIBUTED WITHOUT THE WRITTEN CONSENT OF CONCEPT ARCHITECTURAL SYSTEMS ©



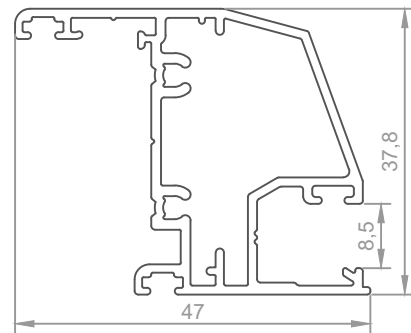
REVEAL CLOSER	
Part no.	Length
F60	6000



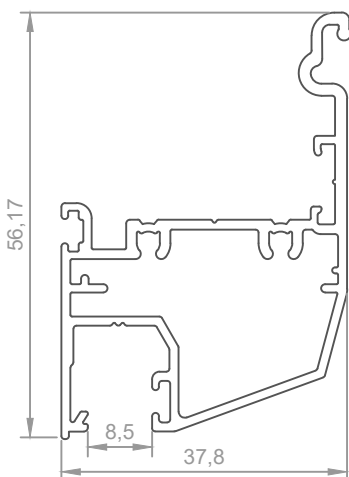
ADAPTER	
Part no.	Length
F93	6000



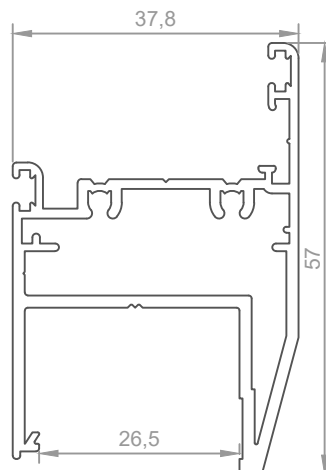
EXTENDED FRAME CLOSER	
Part no.	Length
F61	6000



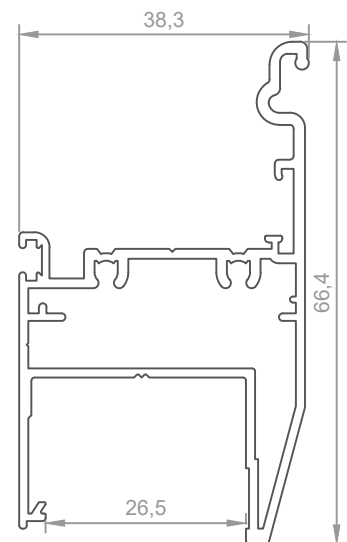
SINGLE GLAZED SASH	
Part no.	Length
F53	6000



SINGLE GLAZED HOOK SASH	
Part no.	Length
F59	6000



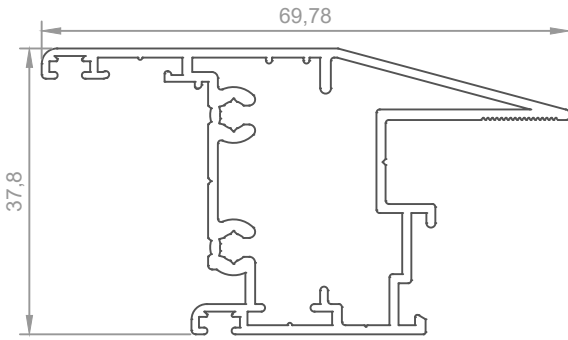
DOUBLE GLAZED SASH	
Part no.	Length
F62	6000



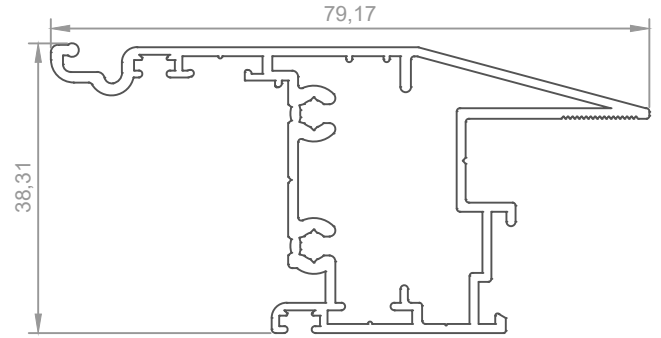
DOUBLE GLAZED HOOK SASH	
Part no.	Length
F63	6000

IMPORTANT NOTICE

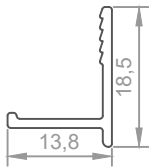
THIS DRAWING AND THE DESIGN SHOWN IS THE INTELLECTUAL PROPERTY OF CONCEPT ARCHITECTURAL SYSTEMS AND IS PROTECTED BY COPYRIGHT. THIS DRAWING MAY NOT BE COPIED OR DISTRIBUTED WITHOUT THE WRITTEN CONSENT OF CONCEPT ARCHITECTURAL SYSTEMS ©



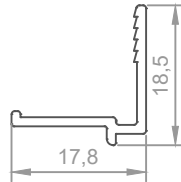
70MM VISTA SASH	
Part no.	Length
F70	6200



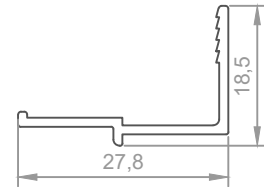
70MM VISTA HOOK SASH	
Part no.	Length
F73	6200



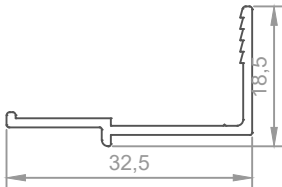
SINGLE GLAZED FRAME BEAD	
Part no.	Length
F56	6000



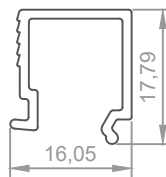
SINGLE GLAZED BEAD	
Part no.	Length
F65	6000



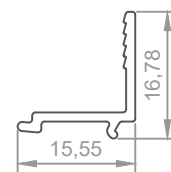
DOUBLE GLAZED FRAME BEAD	
Part no.	Length
F55	6000



DOUBLE GLAZED FRAME BEAD	
Part no.	Length
F64	6000



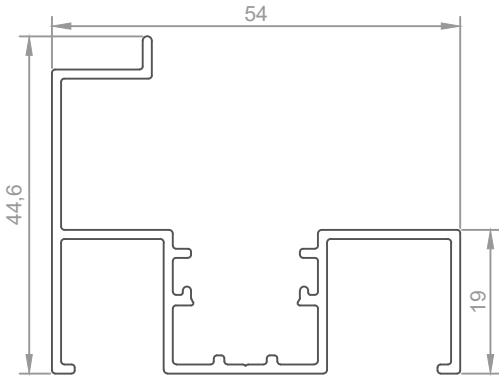
SINGLE GLAZED SASH BEAD	
Part no.	Length
F71	6200



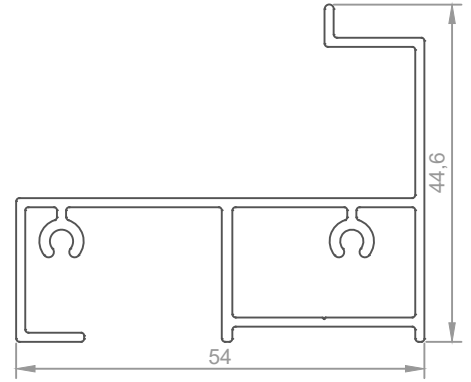
DOUBLE GLAZED SASH BEAD	
Part no.	Length
F72	6200

IMPORTANT NOTICE

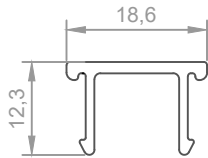
THIS DRAWING AND THE DESIGN SHOWN IS THE INTELLECTUAL PROPERTY OF CONCEPT ARCHITECTURAL SYSTEMS AND IS PROTECTED BY COPYRIGHT. THIS DRAWING MAY NOT BE COPIED OR DISTRIBUTED WITHOUT THE WRITTEN CONSENT OF CONCEPT ARCHITECTURAL SYSTEMS ©



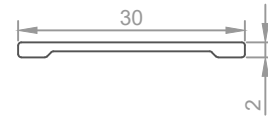
POCKET CHAIN WINDER ADAPTER	
Part no.	Length
F92	6500



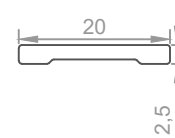
CHAIN WINDER ADAPTER	
Part no.	Length
F96	6000



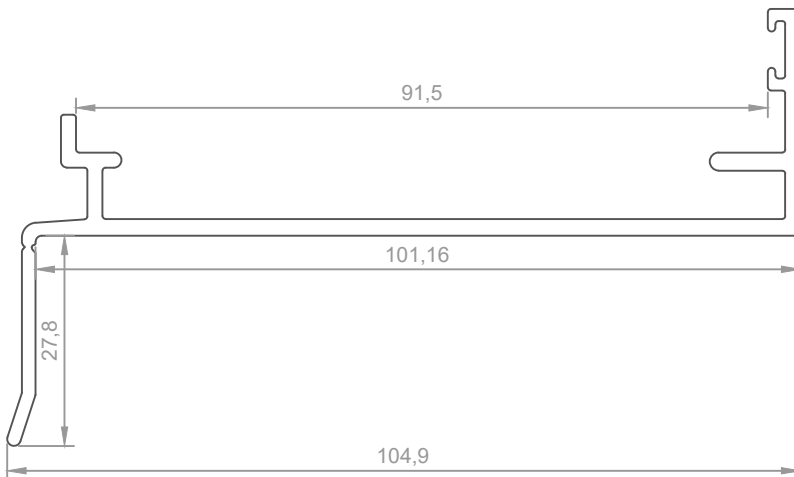
POCKET FILLER	
Part no.	Length
CA305	6500



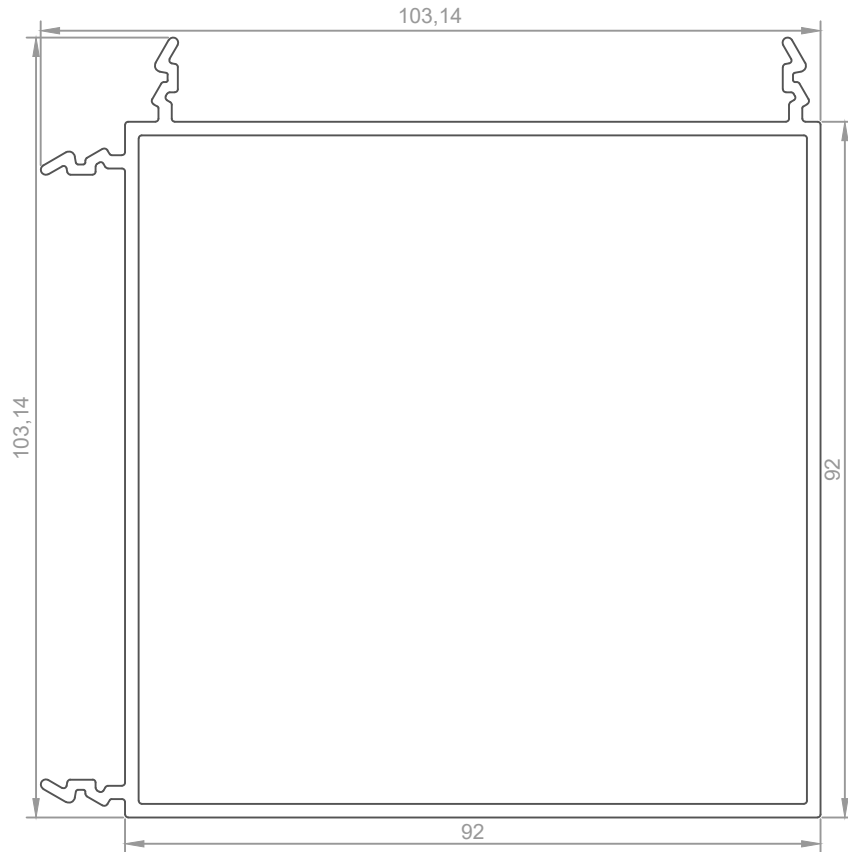
COLONIAL BAR	
Part no.	Length
F74	5000



COLONIAL BAR	
Part no.	Length
F75	3600



SLOTTED SUBSILL	
Part no.	Length
SH102	6500



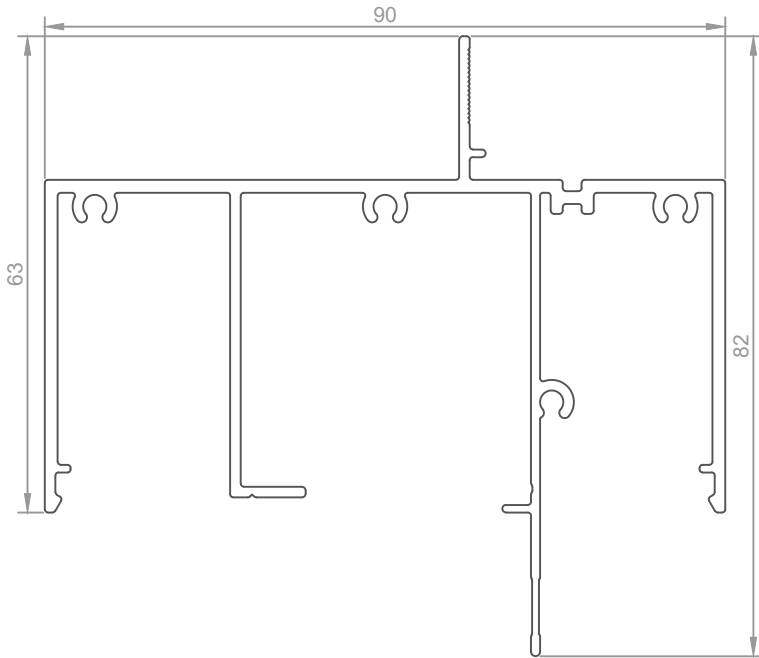
CORNER COUPLER

Part no.	Length
BC90	6000

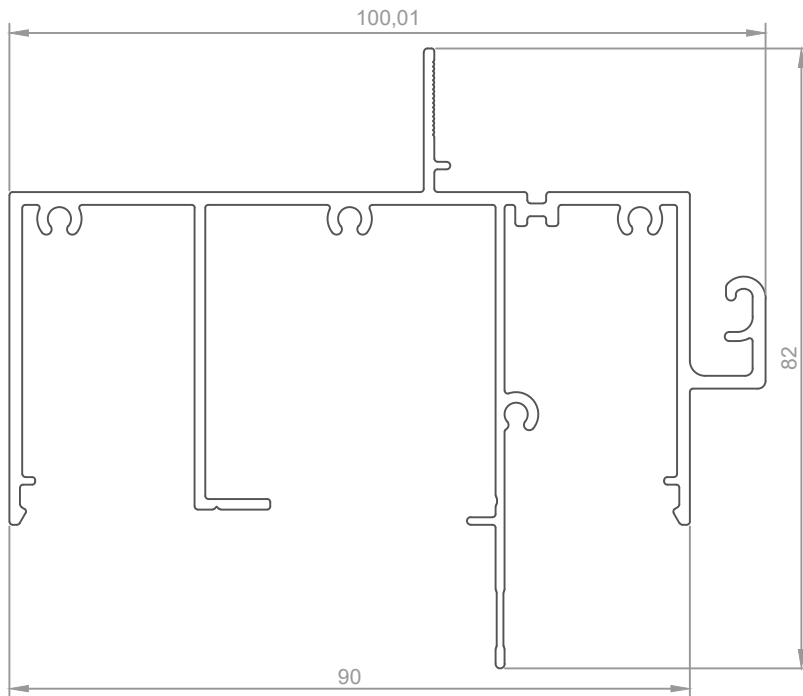
IMPORTANT NOTICE

THIS DRAWING AND THE DESIGN SHOWN IS THE INTELLECTUAL PROPERTY OF
CONCEPT ARCHITECTURAL SYSTEMS AND IS PROTECTED BY COPYRIGHT. THIS DRAWING MAY NOT BE
 COPIED OR DISTRIBUTED WITHOUT THE WRITTEN CONSENT OF **CONCEPT ARCHITECTURAL SYSTEMS** ©

Titan Awning/Casement Window



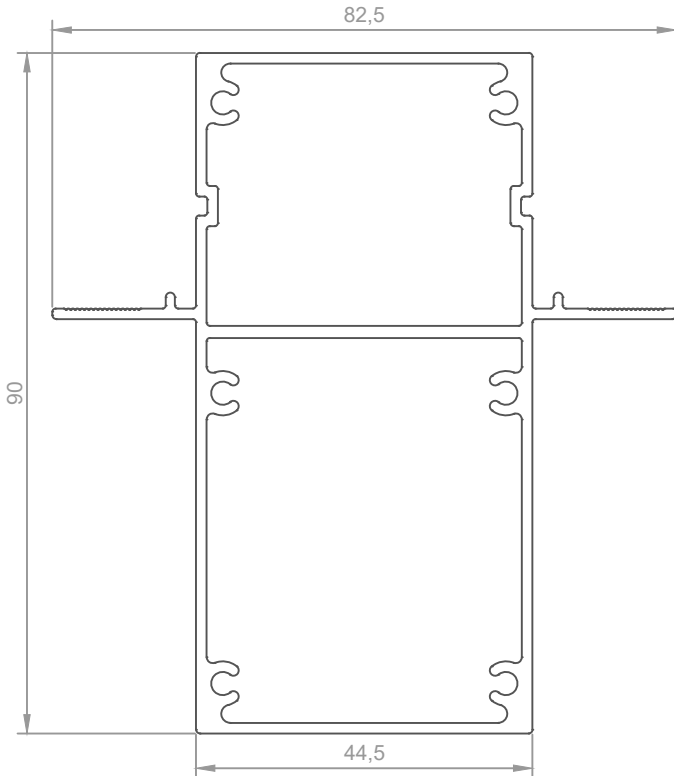
SQUARE CUT FRAME	
Part no.	Length
F91	6000



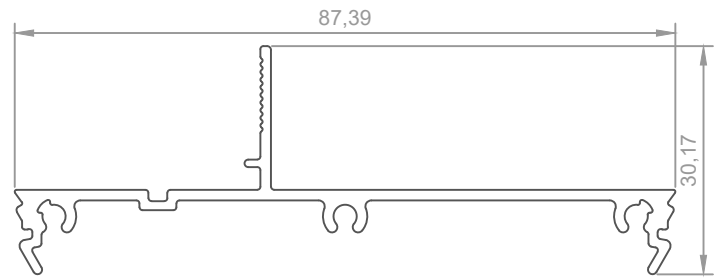
HOOK HEAD	
Part no.	Length
F82	6000

IMPORTANT NOTICE

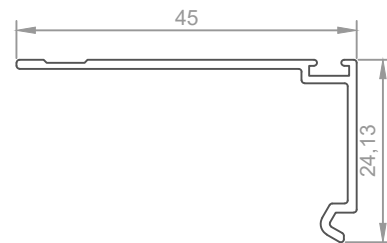
THIS DRAWING AND THE DESIGN SHOWN IS THE INTELLECTUAL PROPERTY OF CONCEPT ARCHITECTURAL SYSTEMS AND IS PROTECTED BY COPYRIGHT. THIS DRAWING MAY NOT BE COPIED OR DISTRIBUTED WITHOUT THE WRITTEN CONSENT OF CONCEPT ARCHITECTURAL SYSTEMS ©



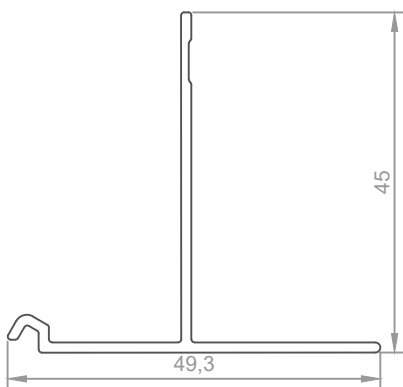
BOX TRANSOM	
Part no.	Length
F95	6000



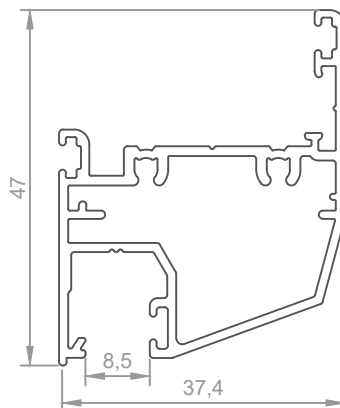
ADAPTER	
Part no.	Length
F93	6000



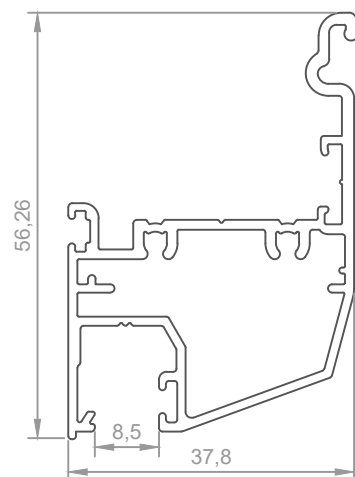
REVEAL CLOSER	
Part no.	Length
F60	6000



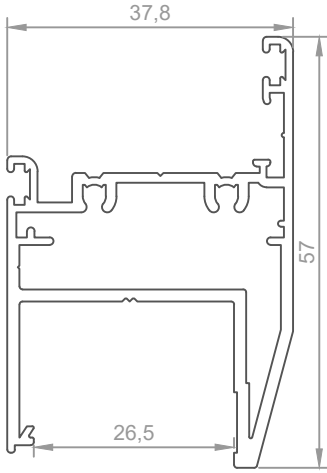
EXTENDED FRAME CLOSER	
Part no.	Length
F61	6000



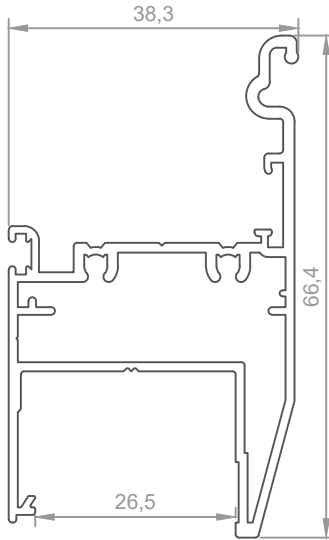
SINGLE GLAZED SASH	
Part no.	Length
F53	6000



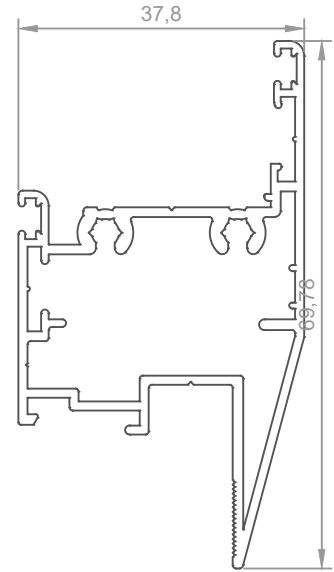
SINGLE GLAZED HOOK SASH	
Part no.	Length
F59	6000



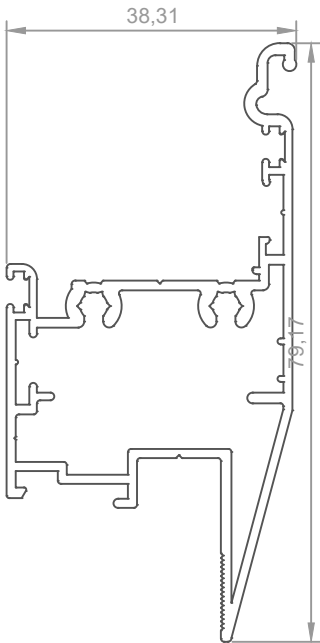
DOUBLE GLAZED SASH	
Part no.	Length
F62	6000



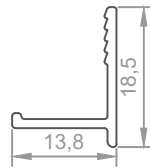
DOUBLE GLAZED HOOK SASH	
Part no.	Length
F63	6000



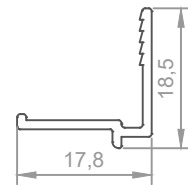
70MM VISTA SASH	
Part no.	Length
F70	6200



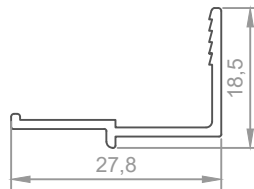
70MM VISTA HOOK SASH	
Part no.	Length
F73	6200



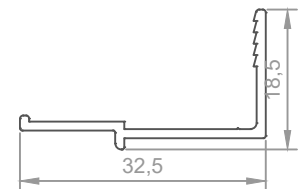
SINGLE GLAZED FRAME BEAD	
Part no.	Length
F56	6000



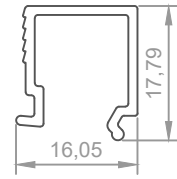
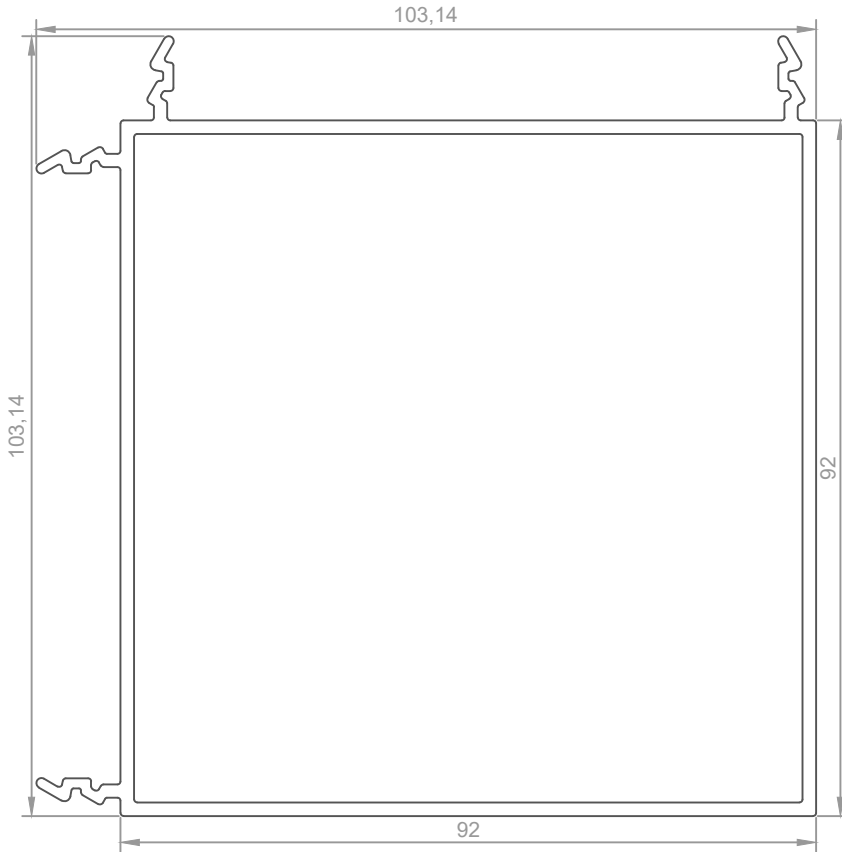
SINGLE GLAZED FRAME BEAD	
Part no.	Length
F65	6000



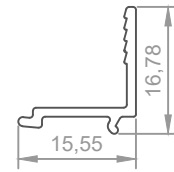
DOUBLE GLAZED FRAME BEAD	
Part no.	Length
F55	6000



DOUBLE GLAZED FRAME BEAD	
Part no.	Length
F64	6000

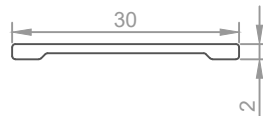


SINGLE GLAZED SASH BEAD	
Part no.	Length
F71	6200

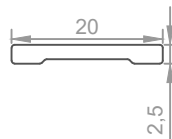
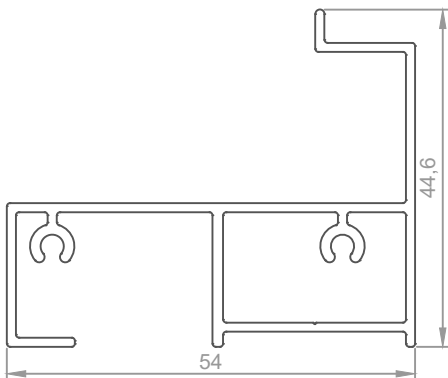


DOUBLE GLAZED SASH BEAD	
Part no.	Length
F72	6200

CORNER COUPLER	
Part no.	Length
BC90	6000

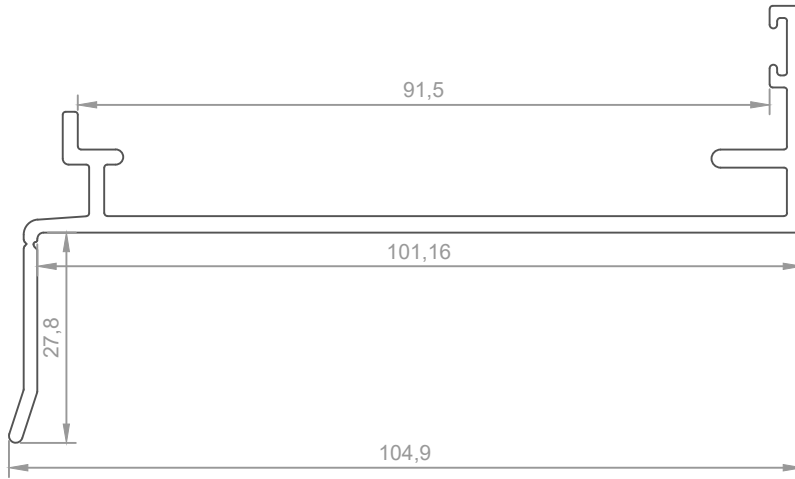


COLONIAL BAR	
Part no.	Length
F74	5000

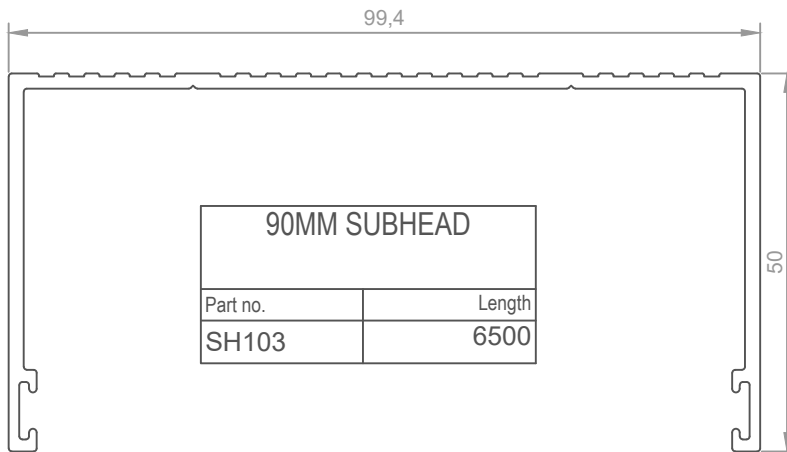


COLONIAL BAR	
Part no.	Length
F75	3600

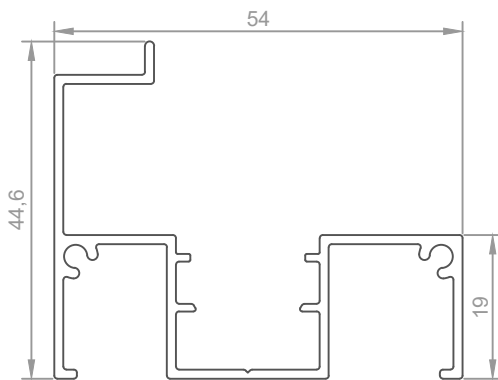
CHAIN WINDER ADAPTER	
Part no.	Length
F96	6000



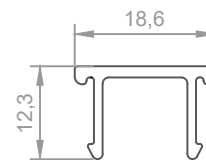
SLOTTED SUBSILL	
Part no.	Length
SH102	6500



90MM SUBHEAD	
Part no.	Length
SH103	6500

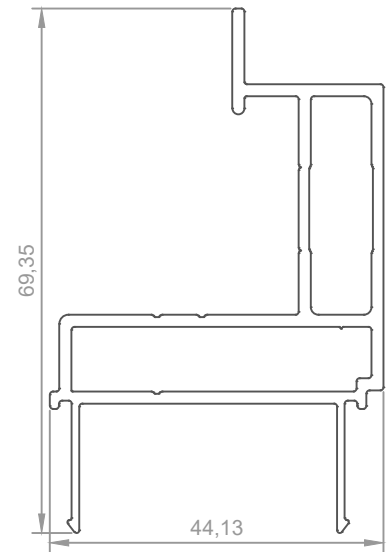
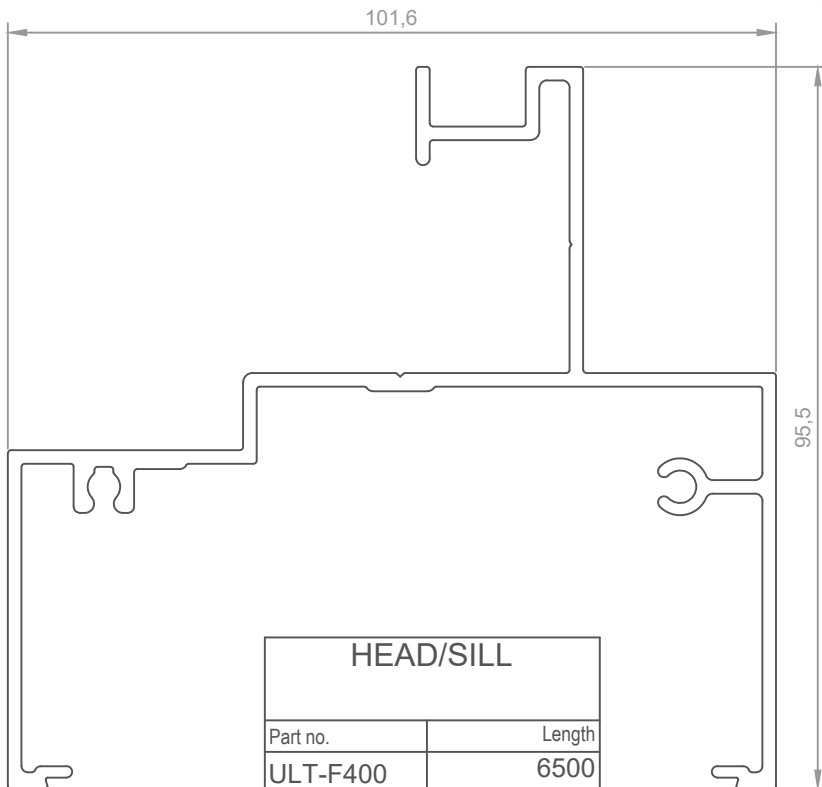


POCKET CHAIN WINDER ADAPTER	
Part no.	Length
F92	6500

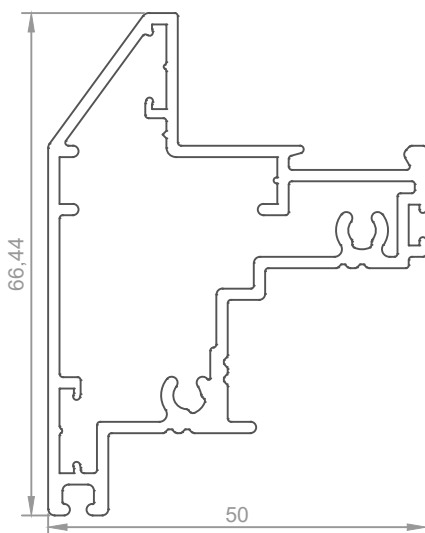


POCKET FILLER	
Part no.	Length
CA305	6500

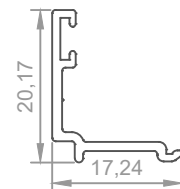
Ultramax Plus Awning/Casement



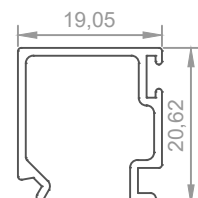
JAMB ADAPTER	
Part no.	Length
ULT-J401	6500



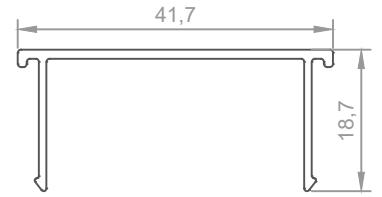
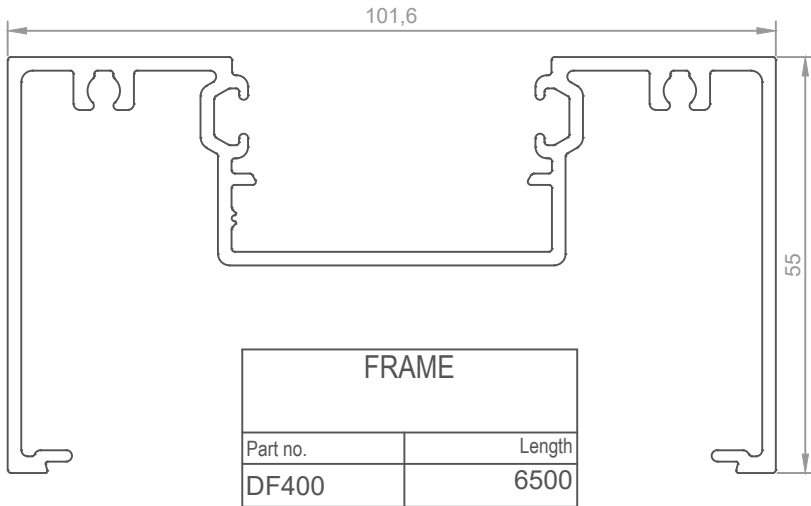
SASH	
Part no.	Length
ULT-S402	6500



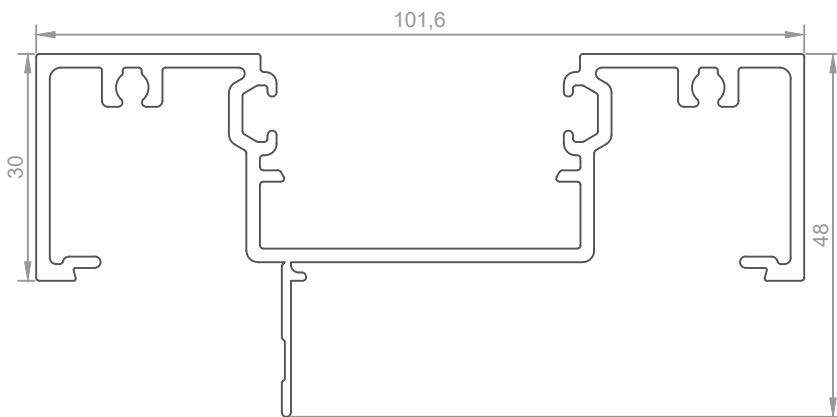
DOUBLE GLAZED BEAD	
Part no.	Length
ULT-B30	6500



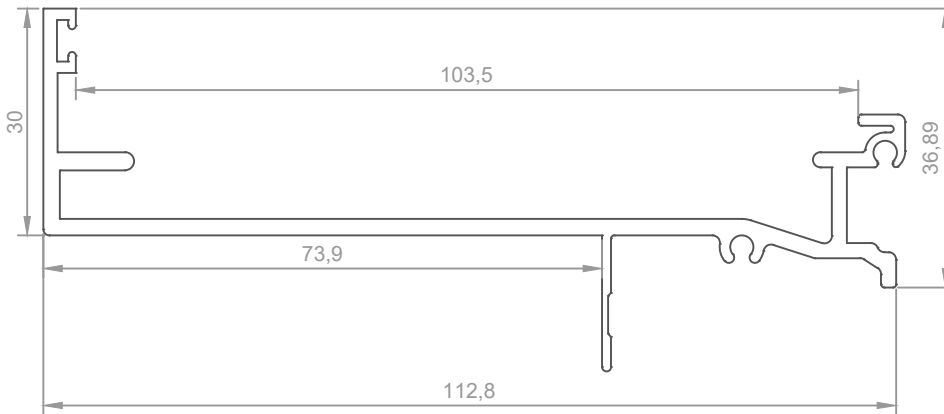
SINGLE GLAZED BEAD	
Part no.	Length
ULT-B14	6500



DOUBLE GLAZED POCKET FILLER	
Part no.	Length
DF605	6500



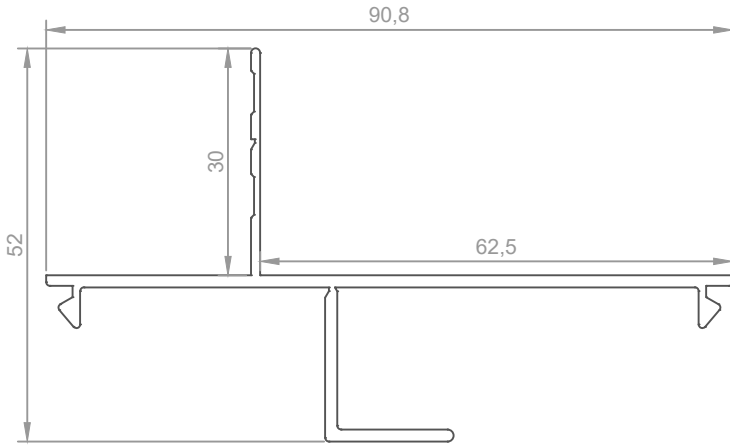
NARROW FRAME	
Part no.	Length
DF414	6500



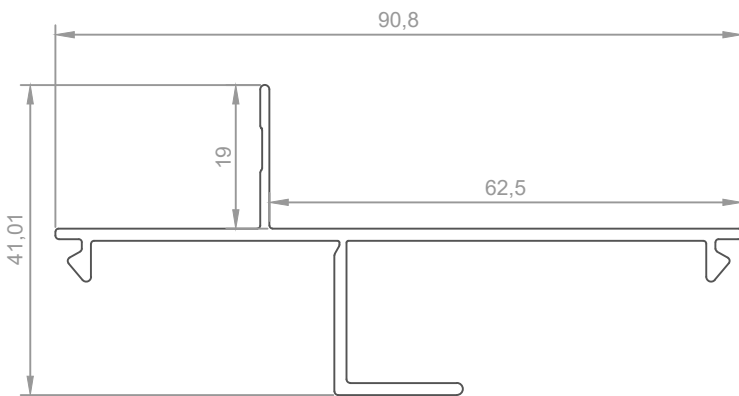
114MM SUBSILL WITH FIN	
Part no.	Length
SS21	6500

IMPORTANT NOTICE

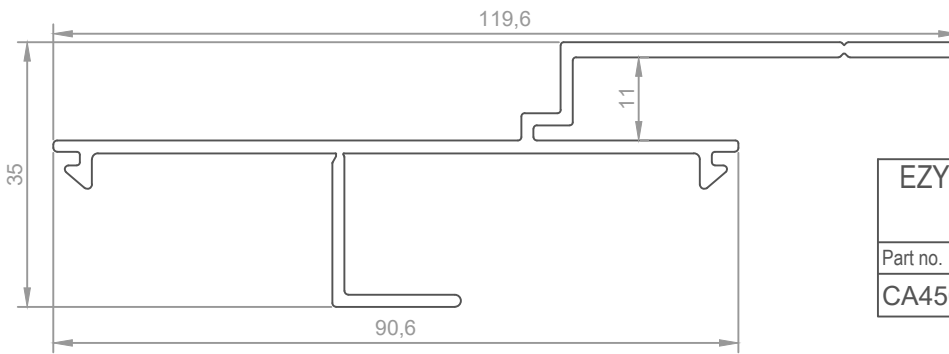
THIS DRAWING AND THE DESIGN SHOWN IS THE INTELLECTUAL PROPERTY OF
CONCEPT ARCHITECTURAL SYSTEMS AND IS PROTECTED BY COPYRIGHT. THIS DRAWING MAY NOT BE
COPIED OR DISTRIBUTED WITHOUT THE WRITTEN CONSENT OF CONCEPT ARCHITECTURAL SYSTEMS ©



REVEAL ADAPTER	
Part no.	Length
CA430	6500



REVEAL ADAPTER	
Part no.	Length
CA490	6500

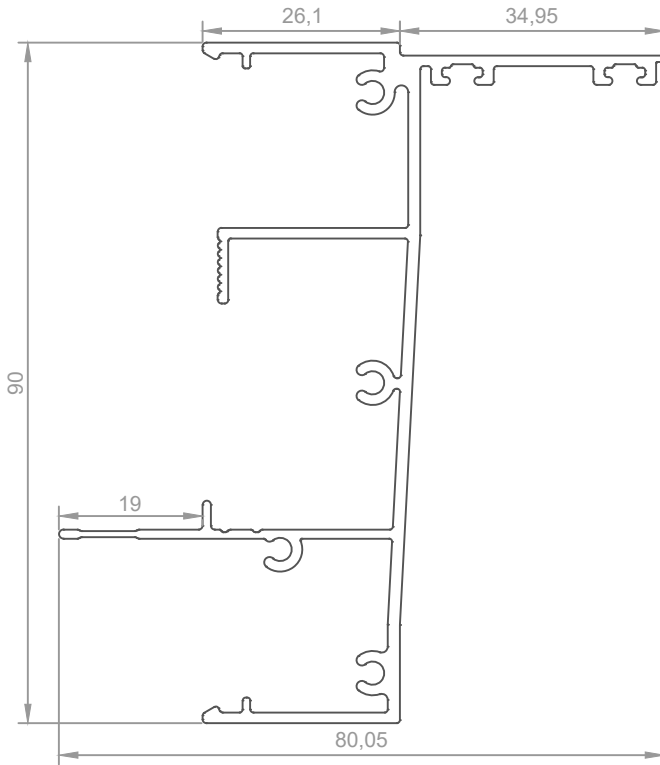


EZY REVEAL ADAPTER	
Part no.	Length
CA450	6500

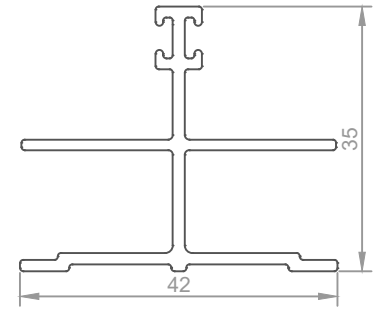


EZY REVEAL ADAPTER	
Part no.	Length
CA493	6500

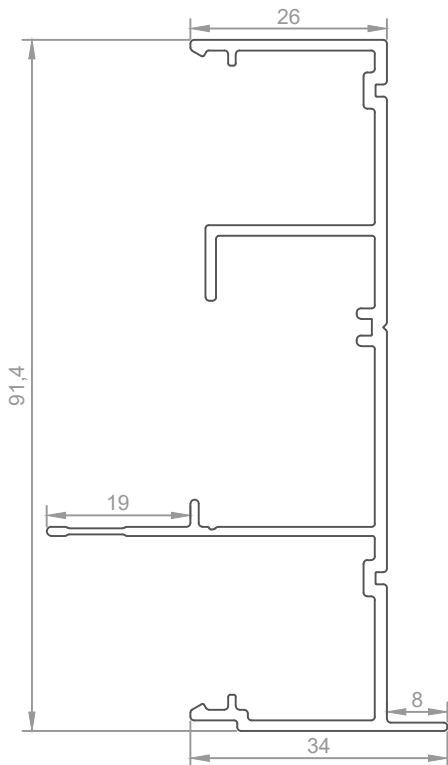
Zeus Double Hung



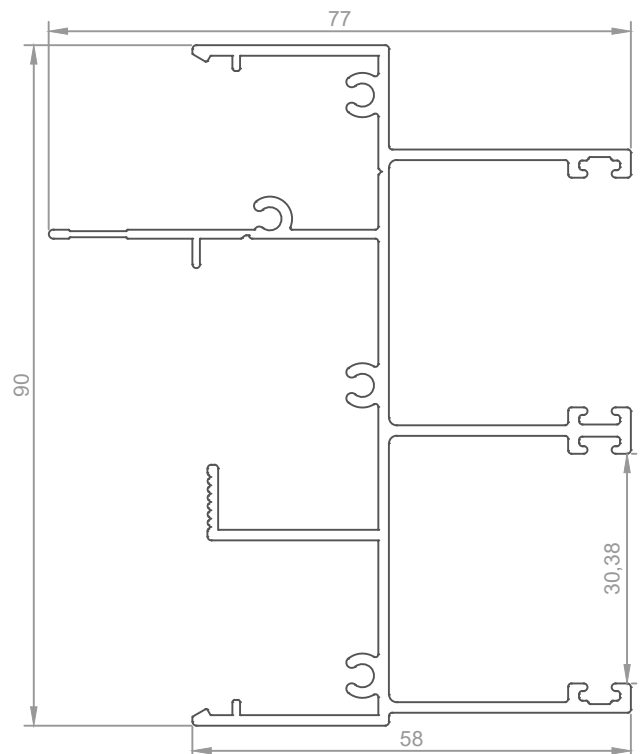
SILL	
Part no.	Length
DHW90	6000



CENTRE JAMB GUIDE	
Part no.	Length
DHW92	6000



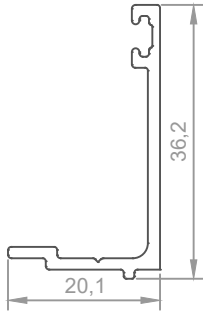
JAMB	
Part no.	Length
DHW91	6000



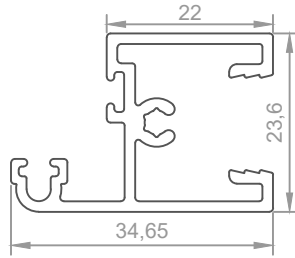
HEAD	
Part no.	Length
DGS86	6000

IMPORTANT NOTICE

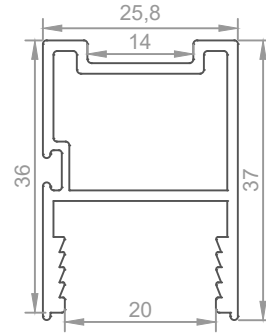
THIS DRAWING AND THE DESIGN SHOWN IS THE INTELLECTUAL PROPERTY OF CONCEPT ARCHITECTURAL SYSTEMS AND IS PROTECTED BY COPYRIGHT. THIS DRAWING MAY NOT BE COPIED OR DISTRIBUTED WITHOUT THE WRITTEN CONSENT OF CONCEPT ARCHITECTURAL SYSTEMS ©



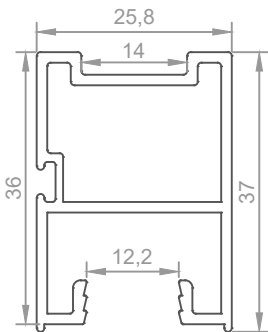
JAMB GUIDE	
Part no.	Length
DHW93	6000



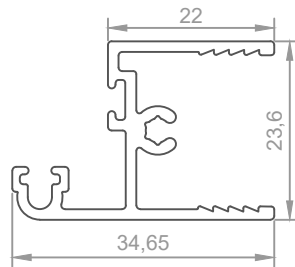
SINGLE GLAZED STILE	
Part no.	Length
DHW101	6000



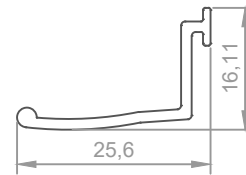
DOUBLE GLAZED RAIL	
Part no.	Length
DHW102	6000



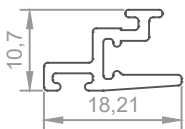
SINGLE GLAZED RAIL	
Part no.	Length
DHW100	6000



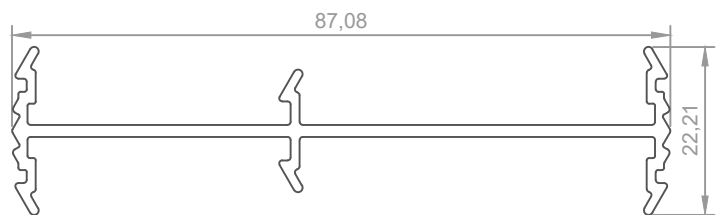
DOUBLE GLAZED RAIL	
Part no.	Length
DHW103	6000



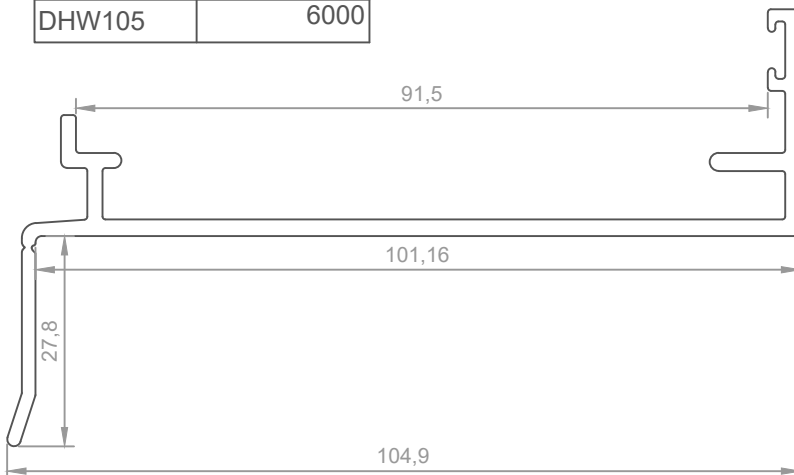
HANDLE	
Part no.	Length
DHW104	6000



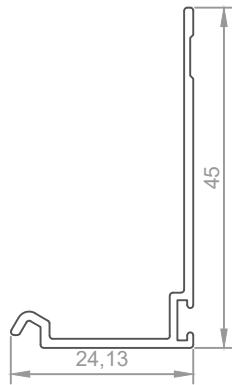
INTERLOCK	
Part no.	Length
DHW105	6000



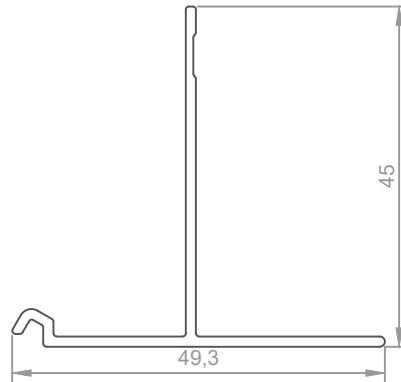
BACK TO BACK ADAPTER	
Part no.	Length
DHW106	6000



SLOTTED SUBSILL	
Part no.	Length
SH102	6500



REVEAL CLOSER	
Part no.	Length
F60	6000

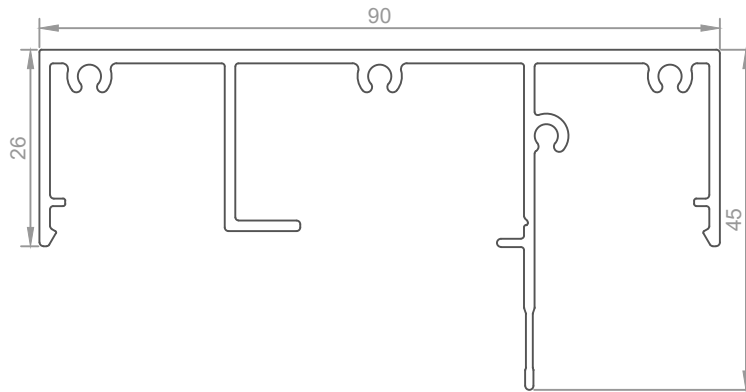


EXTENDED FRAME CLOSER	
Part no.	Length
F61	6000

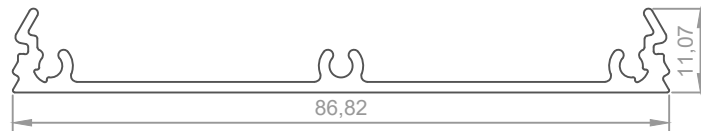
IMPORTANT NOTICE

THIS DRAWING AND THE DESIGN SHOWN IS THE INTELLECTUAL PROPERTY OF
CONCEPT ARCHITECTURAL SYSTEMS AND IS PROTECTED BY COPYRIGHT. THIS DRAWING MAY NOT BE
 COPIED OR DISTRIBUTED WITHOUT THE WRITTEN CONSENT OF **CONCEPT ARCHITECTURAL SYSTEMS** ©

Apollo Sashless Window



FRAME	
Part no.	Length
F100	6500

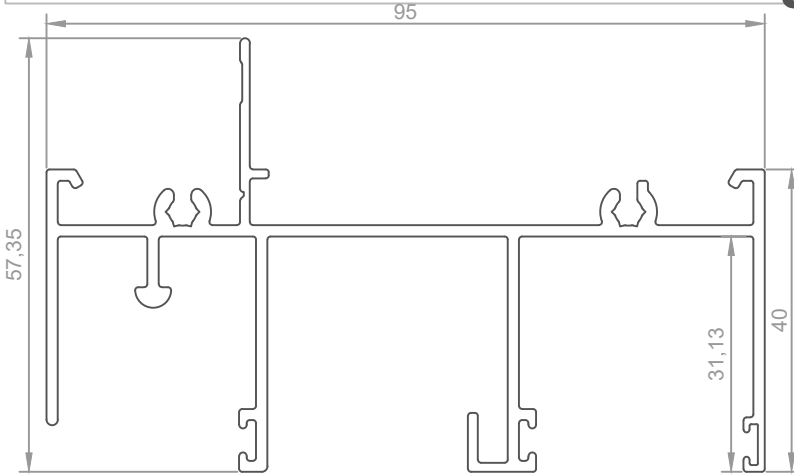


FLAT FILLER	
Part no.	Length
F101	6000

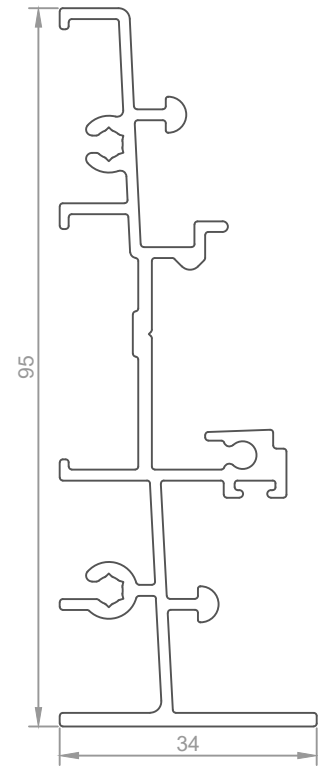
IMPORTANT NOTICE

THIS DRAWING AND THE DESIGN SHOWN IS THE INTELLECTUAL PROPERTY OF
CONCEPT ARCHITECTURAL SYSTEMS AND IS PROTECTED BY COPYRIGHT. THIS DRAWING MAY NOT BE
 COPIED OR DISTRIBUTED WITHOUT THE WRITTEN CONSENT OF **CONCEPT ARCHITECTURAL SYSTEMS** ©

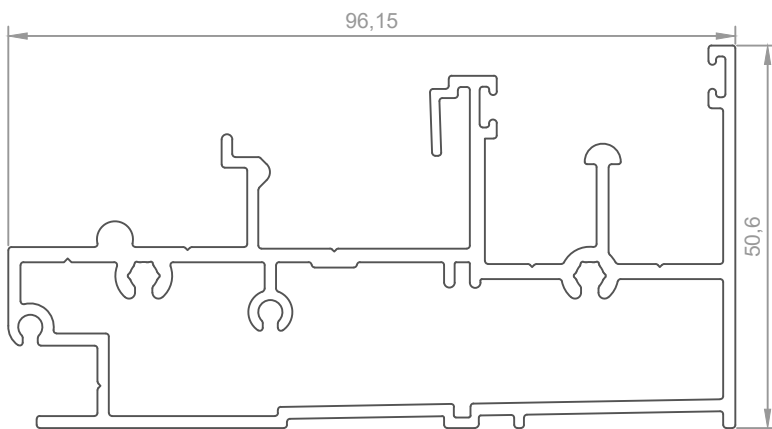
Comet Sliding Door



HEAD	
Part no.	Length
CSD1	6500

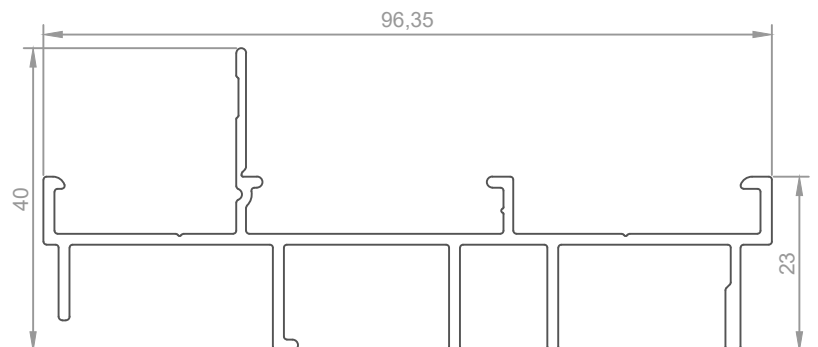


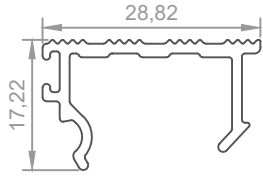
SILL	
Part no.	Length
CSD9	6500



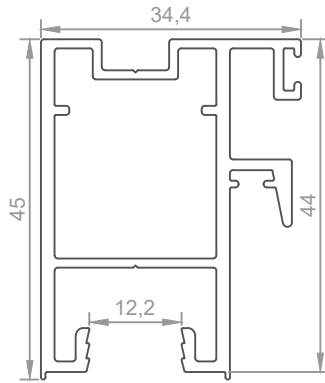
HIGH PERFORMANCE SILL	
Part no.	Length
HPS95	6500

JAMB	
Part no.	Length
CSD3	4900 / 6500

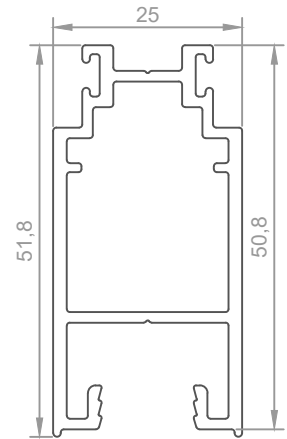




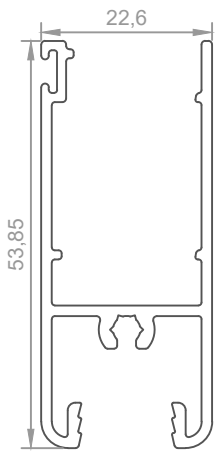
THRESHOLD	
Part no.	Length
CSD8	6500



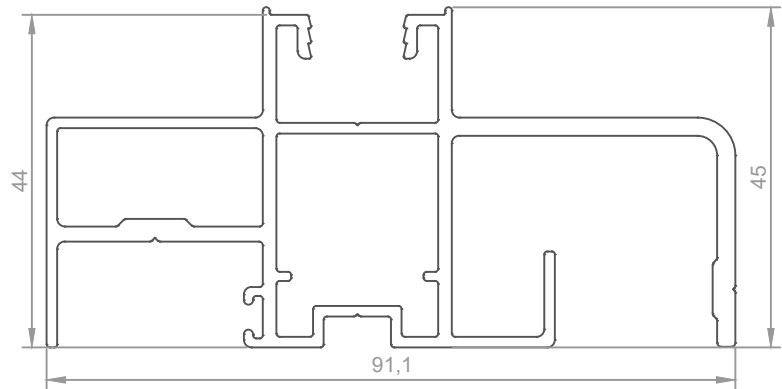
SINGLE GLAZED INTERLOCK	
Part no.	Length
CSD6	4900 / 6500



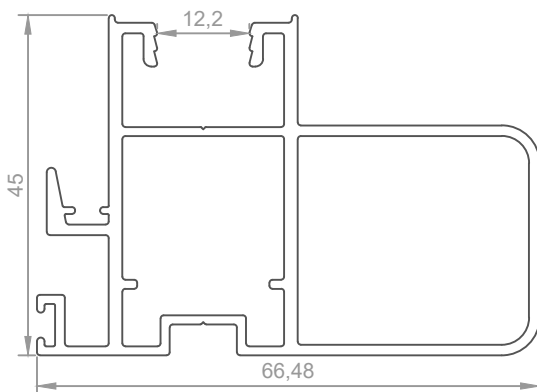
SINGLE GLAZED LOCK STILE	
Part no.	Length
CSD5	4900 / 6500



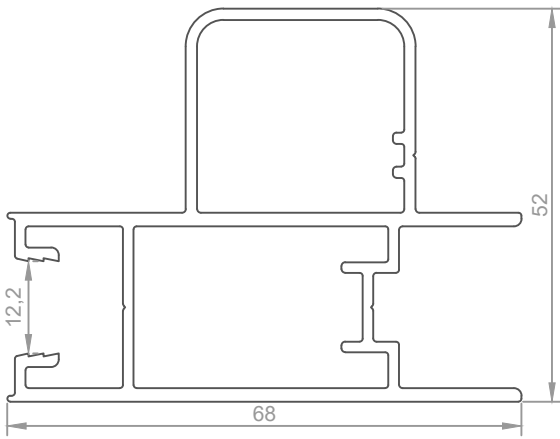
SINGLE GLAZED RAIL	
Part no.	Length
CSD4	6500



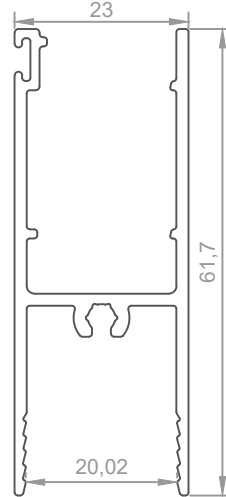
SINGLE GLAZED 3 PANEL ADAPTER	
Part no.	Length
STK10	2700



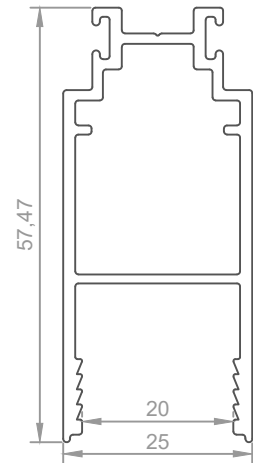
SINGLE GLAZED INTERLOCK	
Part no.	Length
STK4	4900 / 6500



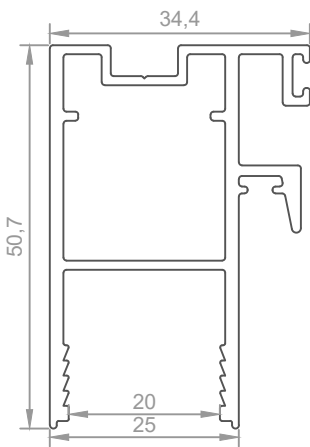
SINGLE GLAZED 4 PANEL INTERLOCK	
Part no.	Length
STK7	6500



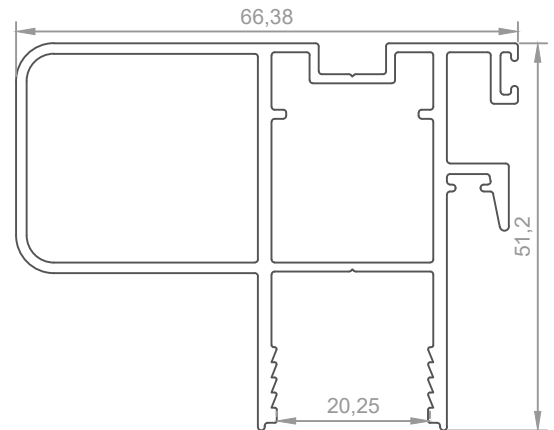
DOUBLE GLAZED RAIL	
Part no.	Length
DGS81	6500



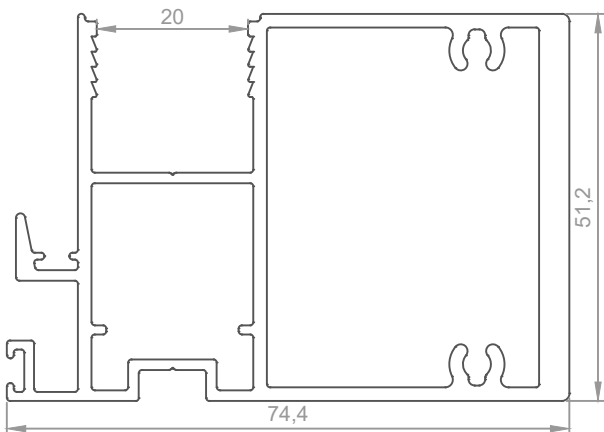
DOUBLE GLAZED LOCK STILE	
Part no.	Length
DGS96	4900 / 6500



DOUBLE GLAZED INTERLOCK	
Part no.	Length
DGS97	4900 / 6500

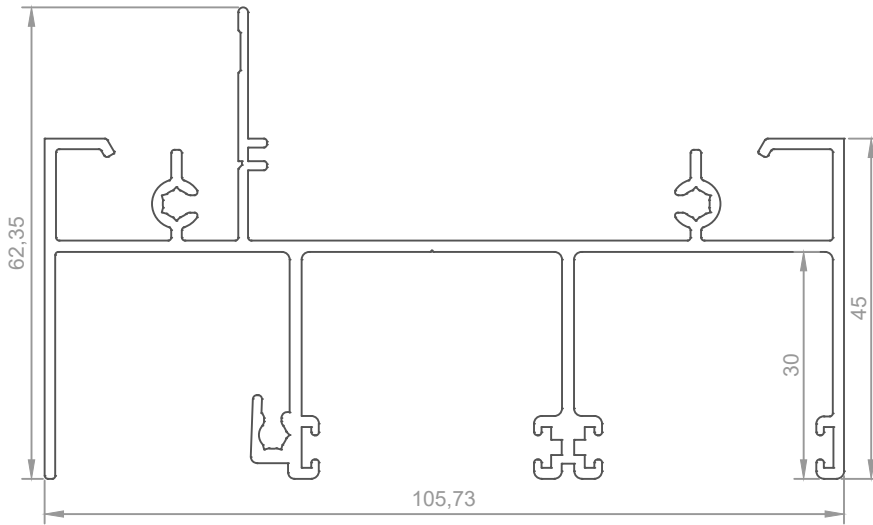


DOUBLE GLAZED INTERLOCK	
Part no.	Length
DGS80	4900 / 6500

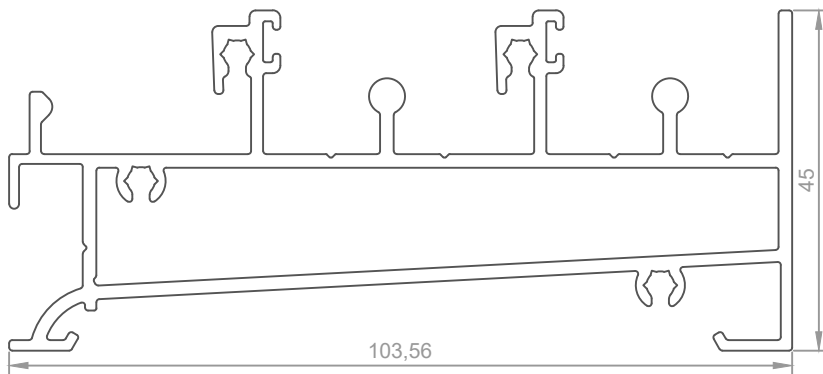


ULTRA HEAVY DUTY INTERLOCK	
Part no.	Length
DGS100	4900

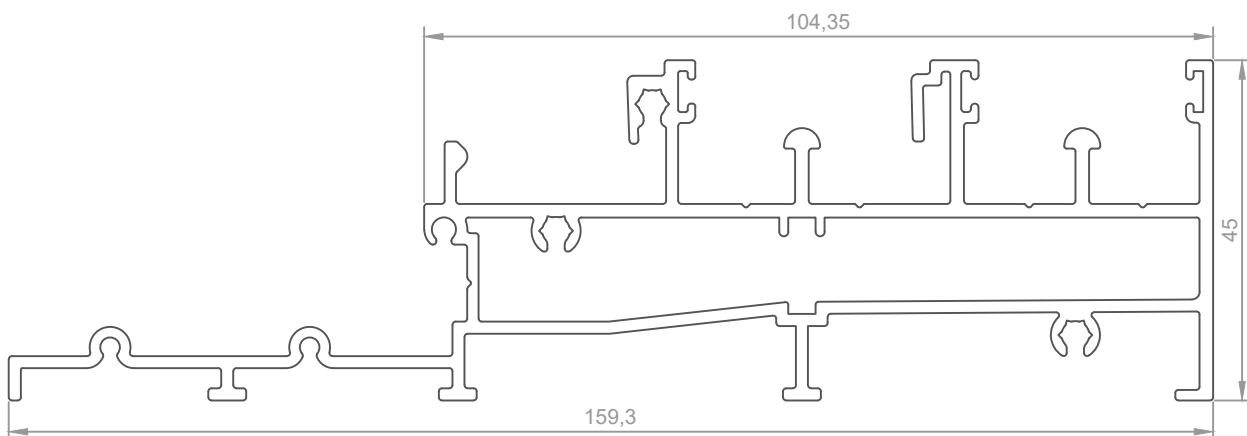
Comet Stacker Door



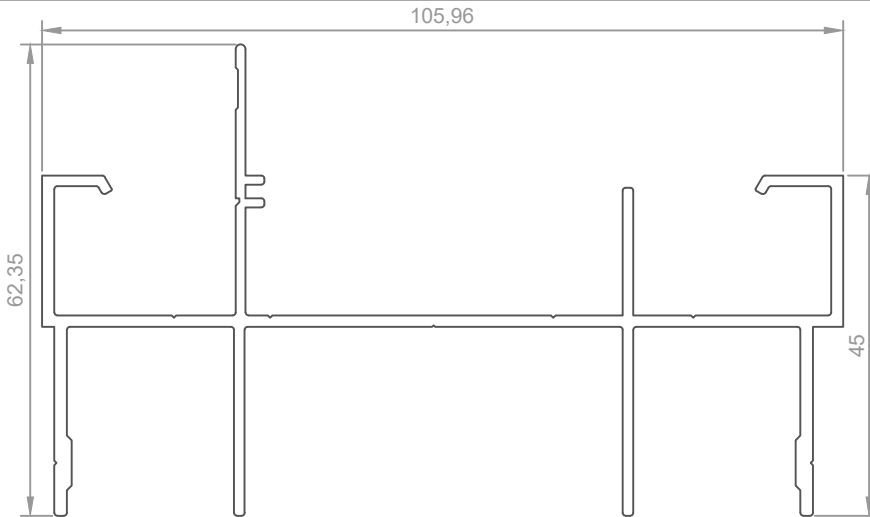
HEAD	
Part no.	Length
STK1	3700 / 6500



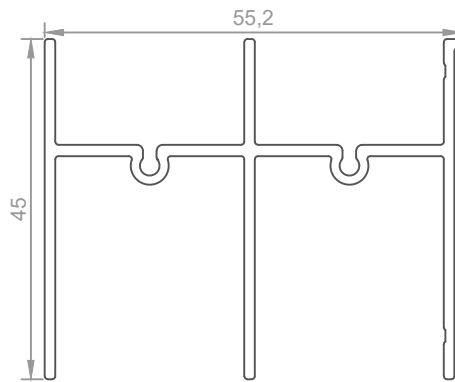
SILL	
Part no.	Length
STK2	3700 / 6500



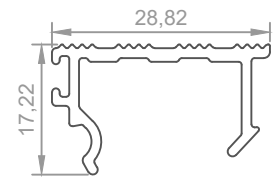
SILL WITH BUILT IN FLY TRACK	
Part no.	Length
STK30	3700 / 6500



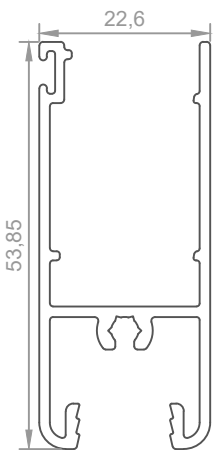
JAMB	
Part no.	Length
STK3	4900 / 6500



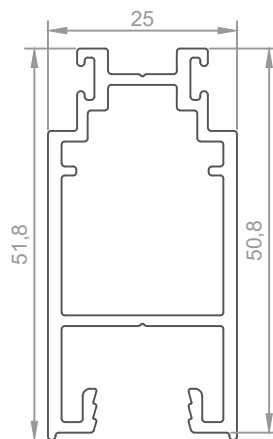
FLYDOOR HEAD	
Part no.	Length
STK5	6500



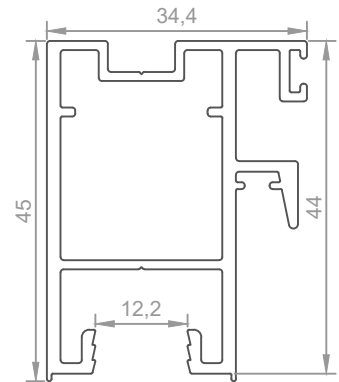
THRESHOLD	
Part no.	Length
CSD8	6500



SINGLE GLAZED RAIL	
Part no.	Length
CSD4	6500



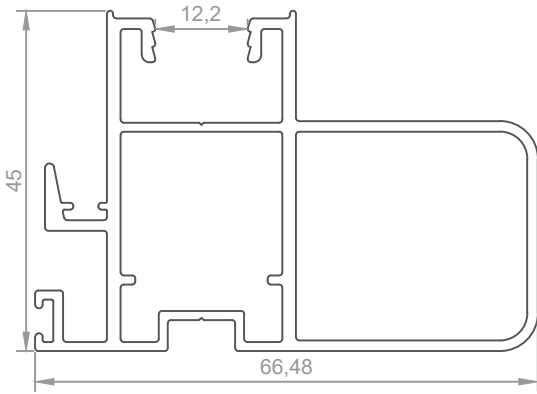
SINGLE GLAZED LOCK STILE	
Part no.	Length
CSD5	4900 / 6500



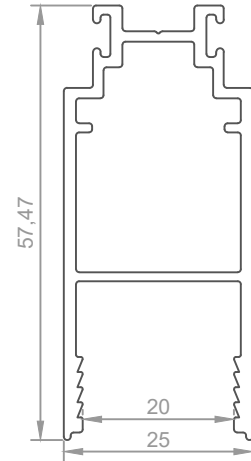
SINGLE GLAZED INTERLOCK	
Part no.	Length
CSD6	4900 / 6500

IMPORTANT NOTICE

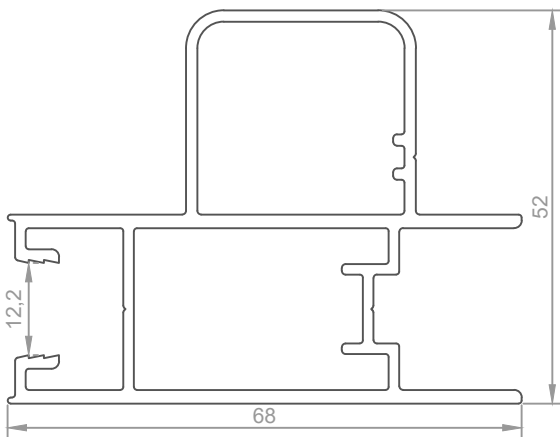
THIS DRAWING AND THE DESIGN SHOWN IS THE INTELLECTUAL PROPERTY OF CONCEPT ARCHITECTURAL SYSTEMS AND IS PROTECTED BY COPYRIGHT. THIS DRAWING MAY NOT BE COPIED OR DISTRIBUTED WITHOUT THE WRITTEN CONSENT OF CONCEPT ARCHITECTURAL SYSTEMS ©



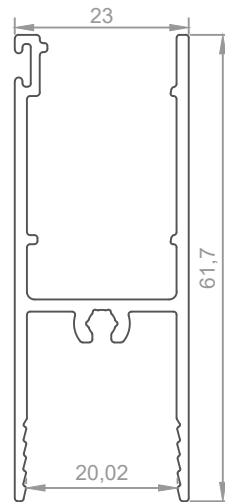
SINGLE GLAZED INTERLOCK	
Part no.	Length
STK4	4900 / 6500



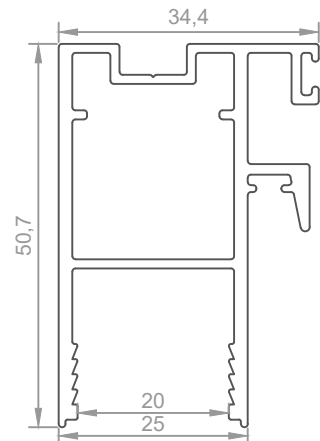
DOUBLE GLAZED LOCK STILE	
Part no.	Length
DGS96	4900 / 6500



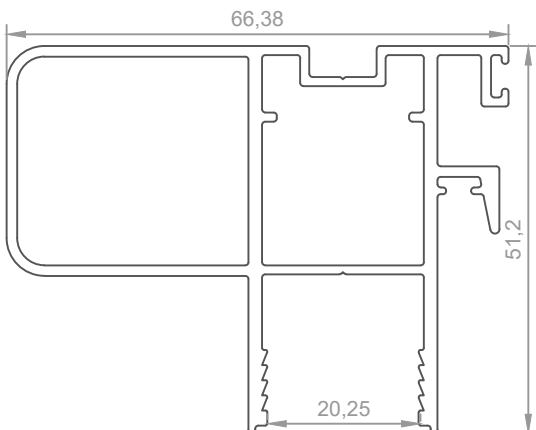
SINGLE GLAZED 4 PANEL INTERLOCK	
Part no.	Length
STK7	6500



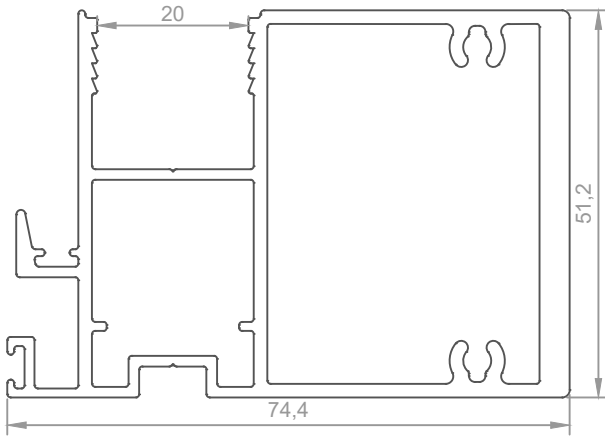
DOUBLE GLAZED RAIL	
Part no.	Length
DGS81	6500



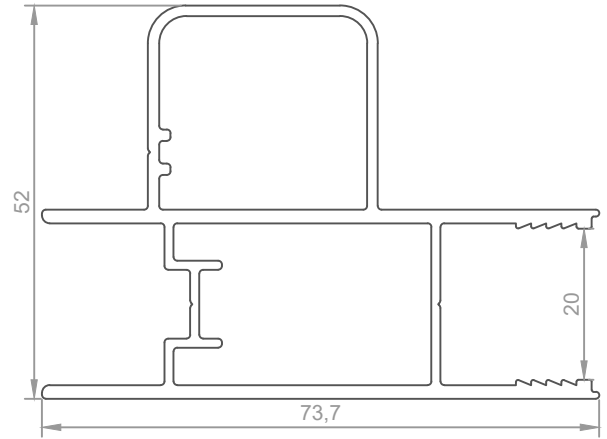
DOUBLE GLAZED INTERLOCK	
Part no.	Length
DGS97	4900 / 6500



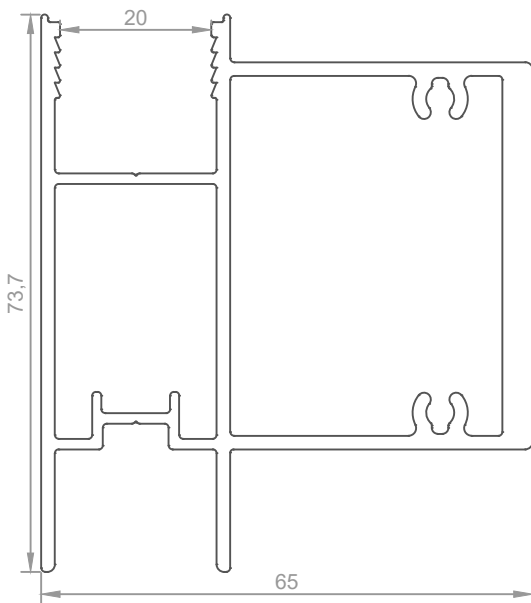
DOUBLE GLAZED INTERLOCK	
Part no.	Length
DGS80	4900 / 6500



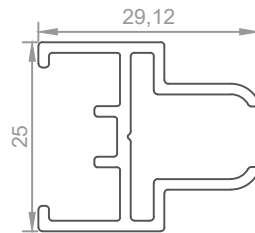
ULTRA HEAVY DUTY INTERLOCK	
Part no.	Length
DGS100	4900



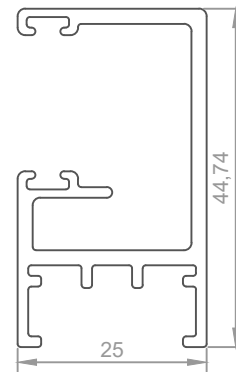
DOUBLE GLAZED 4 PANEL INTERLOCK	
Part no.	Length
DGS82	6500



ULTRA HEAVY DUTY MEETING STILE	
Part no.	Length
DGS101	4900



CORNER ADAPTER MALE	
Part no.	Length
STK8	2700

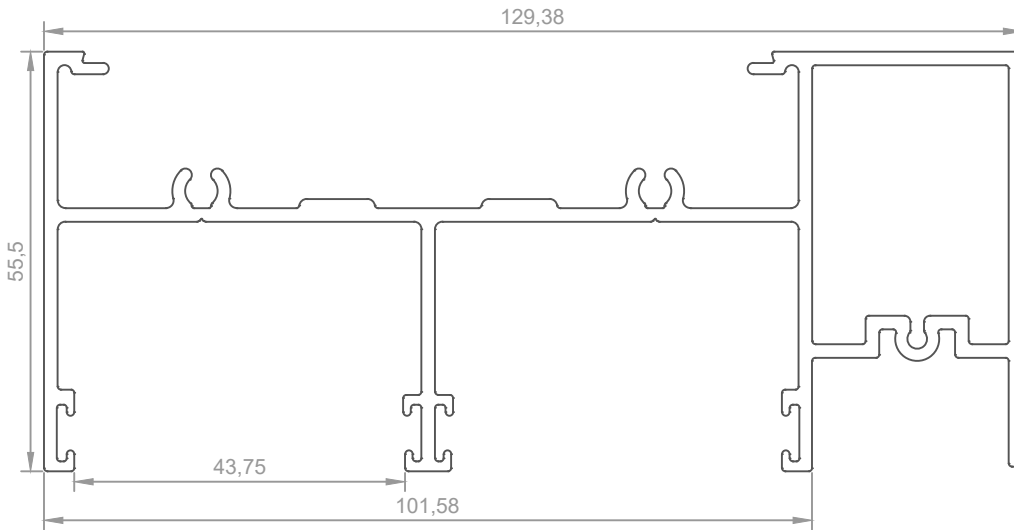


CORNER ADAPTER FEMALE	
Part no.	Length
STK9	2700

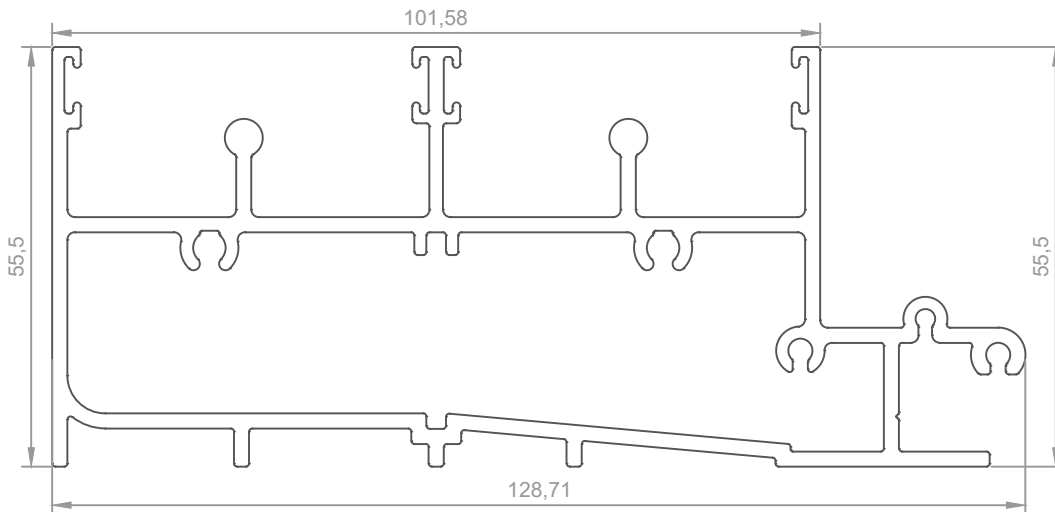
IMPORTANT NOTICE

THIS DRAWING AND THE DESIGN SHOWN IS THE INTELLECTUAL PROPERTY OF CONCEPT ARCHITECTURAL SYSTEMS AND IS PROTECTED BY COPYRIGHT. THIS DRAWING MAY NOT BE COPIED OR DISTRIBUTED WITHOUT THE WRITTEN CONSENT OF CONCEPT ARCHITECTURAL SYSTEMS ©

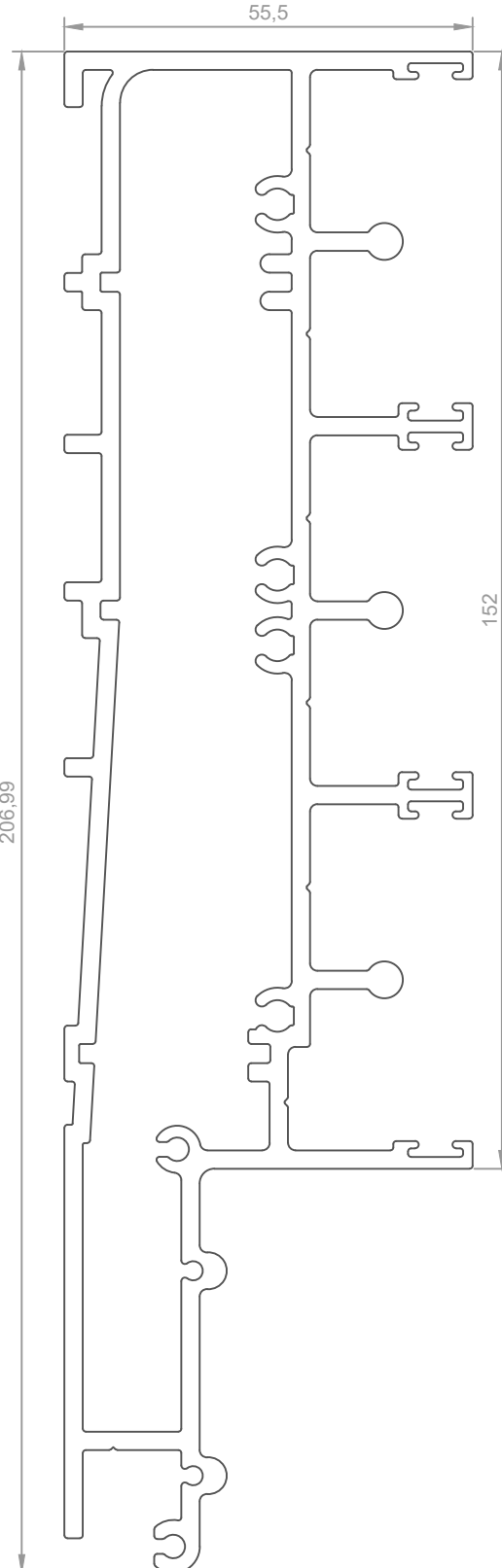
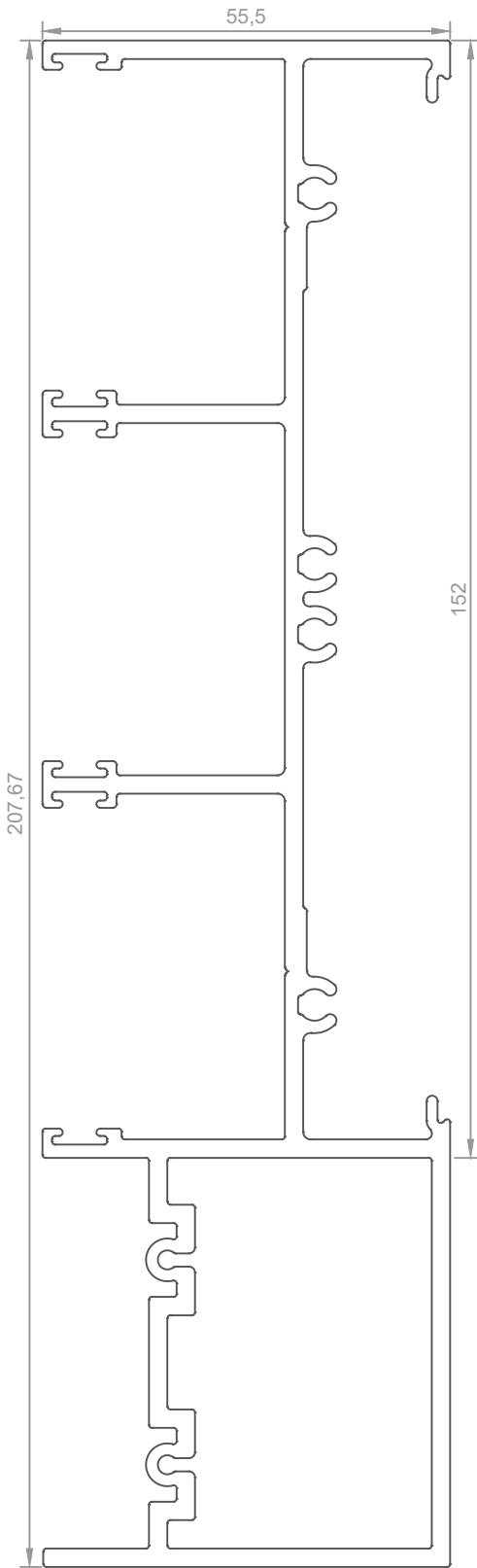
Built-In FlyTrack Apartment Door



2 TRACK HEAD WITH FLY TRACK	
Part no.	Length
CAD169	4500 / 6500



2 TRACK SILL WITH FLY TRACK	
Part no.	Length
CAD167	4500 / 6500



3 TRACK HEAD WITH FLY TRACK

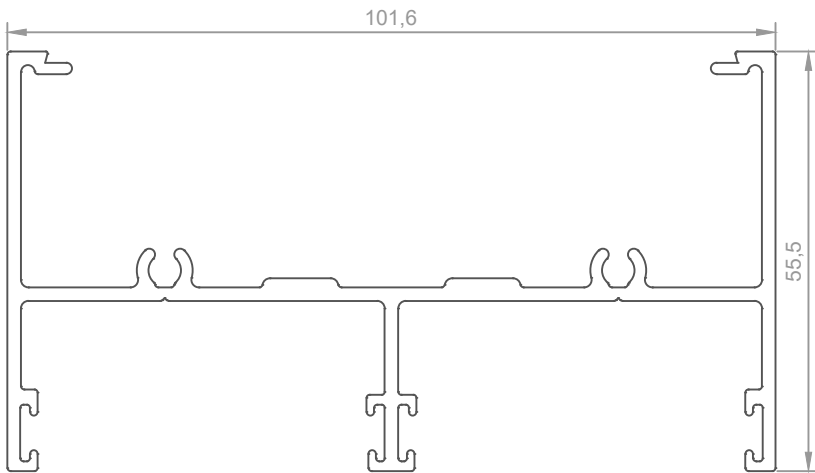
Part no.	Length
CAD170	4500 / 6500

3 TRACK SILL WITH FLY TRACK

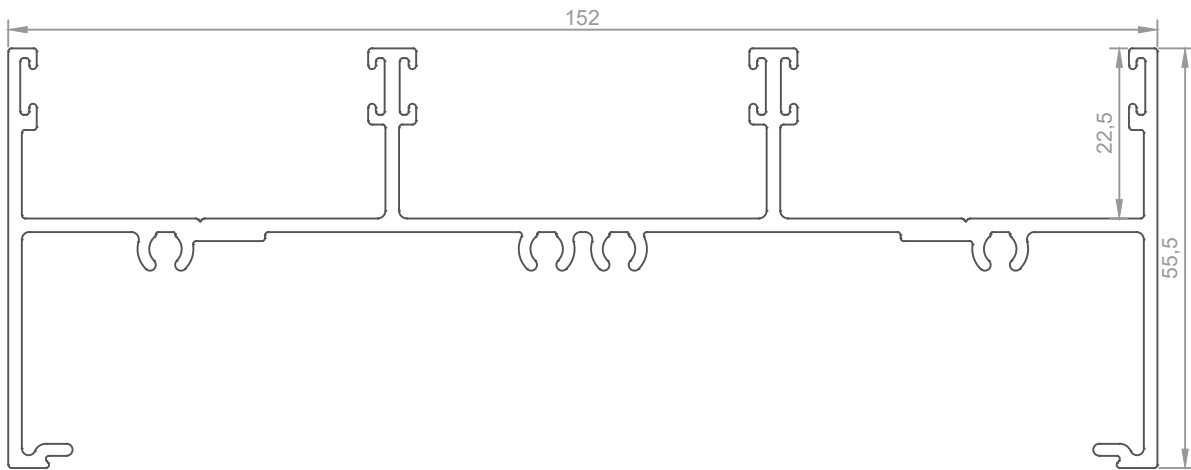
Part no.	Length
CAD168	4500 / 6500

IMPORTANT NOTICE

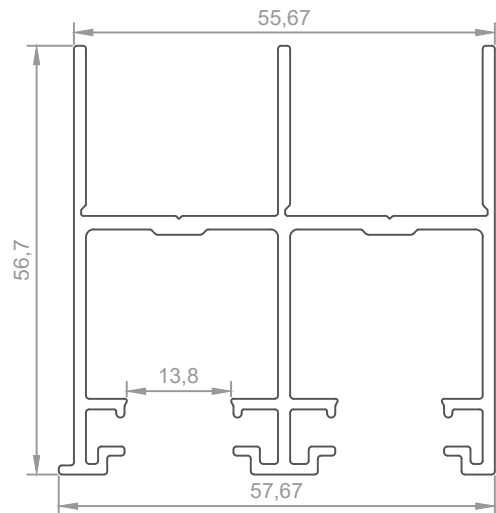
THIS DRAWING AND THE DESIGN SHOWN IS THE INTELLECTUAL PROPERTY OF CONCEPT ARCHITECTURAL SYSTEMS AND IS PROTECTED BY COPYRIGHT. THIS DRAWING MAY NOT BE COPIED OR DISTRIBUTED WITHOUT THE WRITTEN CONSENT OF CONCEPT ARCHITECTURAL SYSTEMS ©



2 TRACK JAMB	
Part no.	Length
CAD161	5000 / 6500

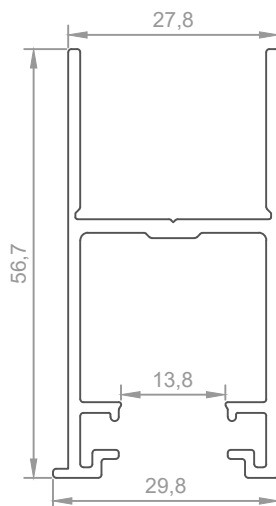


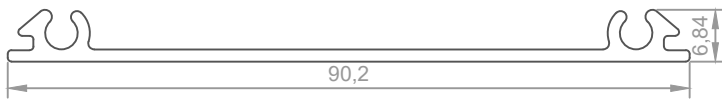
3 TRACK JAMB	
Part no.	Length
CAD119	5000 / 6500



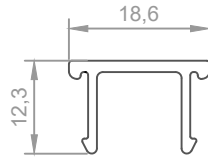
DOUBLE FLY DOOR JAMB	
Part no.	Length
CAD172	6500

FLY DOOR JAMB	
Part no.	Length
CAD171	6500

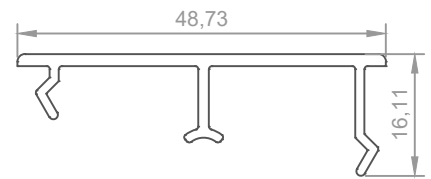




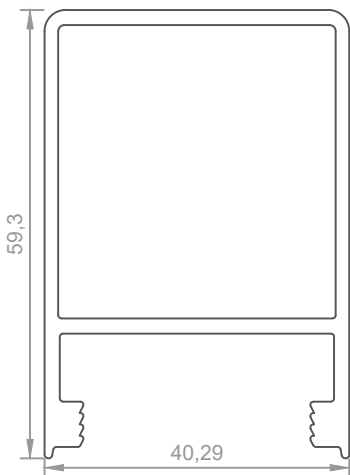
FRAME FILLER	
Part no.	Length
CA102	6500



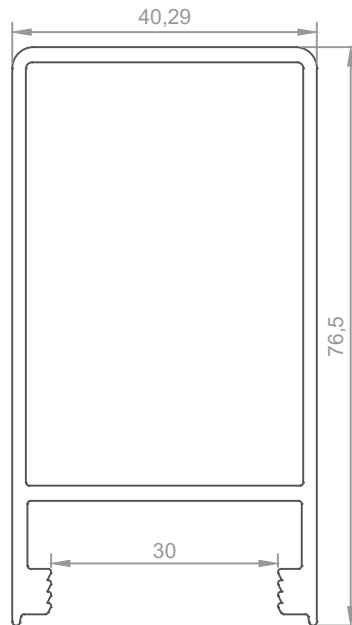
POCKET FILLER	
Part no.	Length
CA305	6500



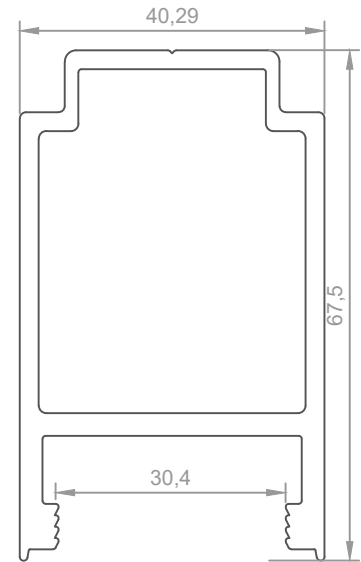
THRESHOLD COVER	
Part no.	Length
CAD138	6500



DOUBLE GLAZED LOCK STILE	
Part no.	Length
CAD150	5000 / 6500



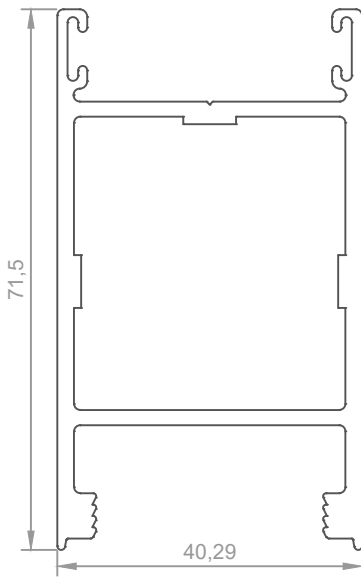
DOUBLE GLAZED LOCK STILE	
Part no.	Length
CAD152	6500



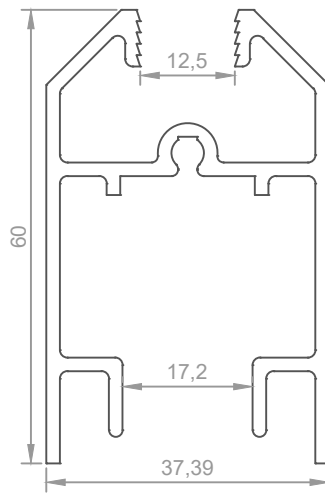
DOUBLE GLAZED MATING STILE	
Part no.	Length
CAD156	6500

IMPORTANT NOTICE

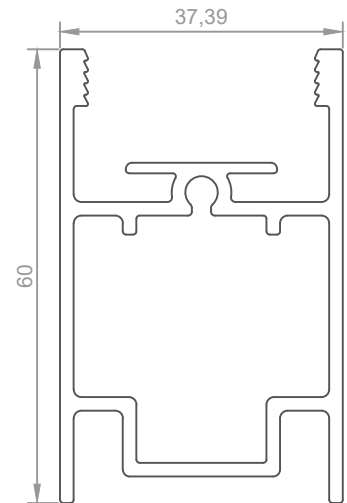
THIS DRAWING AND THE DESIGN SHOWN IS THE INTELLECTUAL PROPERTY OF CONCEPT ARCHITECTURAL SYSTEMS AND IS PROTECTED BY COPYRIGHT. THIS DRAWING MAY NOT BE COPIED OR DISTRIBUTED WITHOUT THE WRITTEN CONSENT OF CONCEPT ARCHITECTURAL SYSTEMS ©



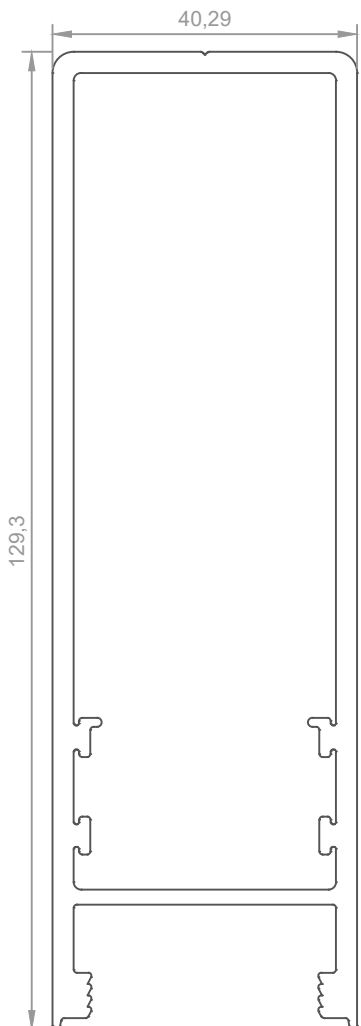
DOUBLE GLAZED MEETING STILE	
Part no.	Length
CAD157	6500



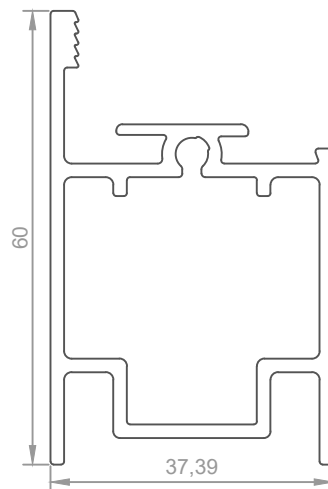
SINGLE GLAZED BEVELLED DOOR RAIL	
Part no.	Length
CAD005	6500



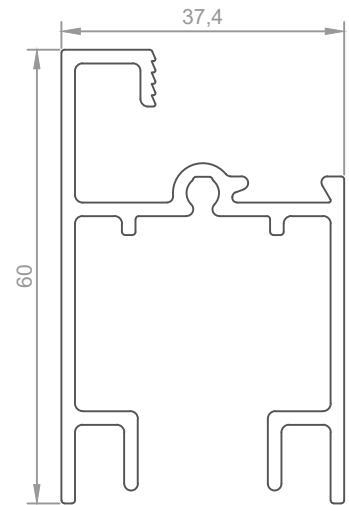
DOUBLE GLAZED BOXED RAIL	
Part no.	Length
CAD025	6500



WIDE DOUBLE GLAZED LOCK STILE	
Part no.	Length
CAD146	6500



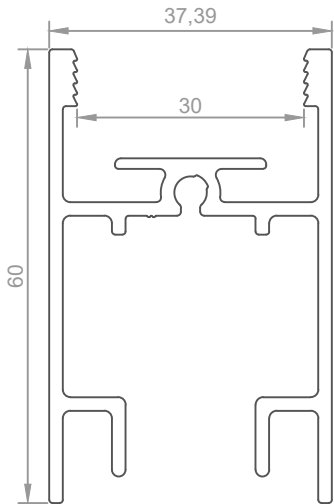
DOUBLE GLAZED BEADED RAIL	
Part no.	Length
CAD026	6500



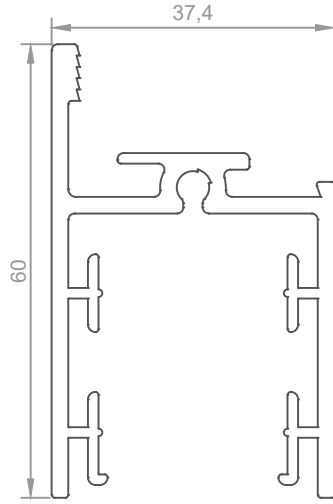
SINGLE GLAZED BEADED RAIL	
Part no.	Length
CAD114	6500

IMPORTANT NOTICE

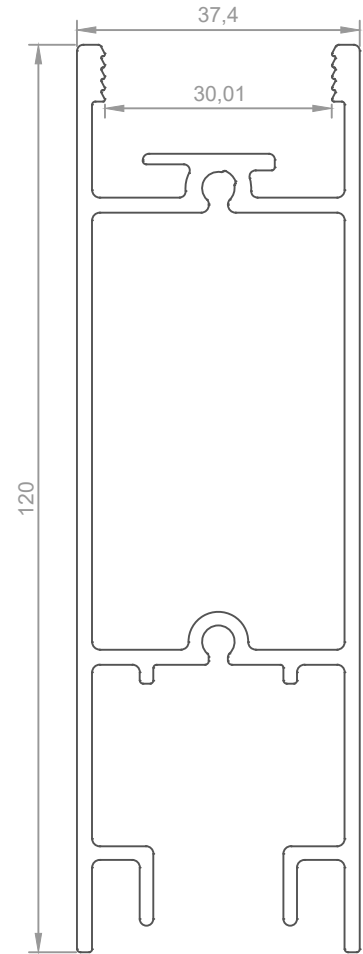
THIS DRAWING AND THE DESIGN SHOWN IS THE INTELLECTUAL PROPERTY OF CONCEPT ARCHITECTURAL SYSTEMS AND IS PROTECTED BY COPYRIGHT. THIS DRAWING MAY NOT BE COPIED OR DISTRIBUTED WITHOUT THE WRITTEN CONSENT OF CONCEPT ARCHITECTURAL SYSTEMS ©



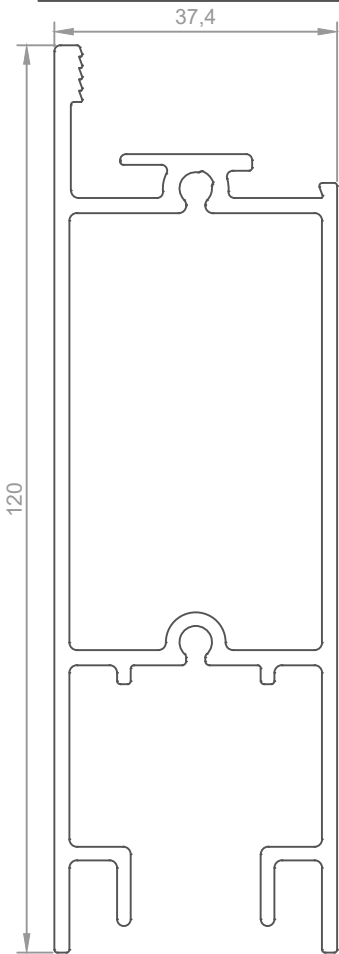
SINGLE GLAZED RAIL	
Part no.	Length
CAD118	6500



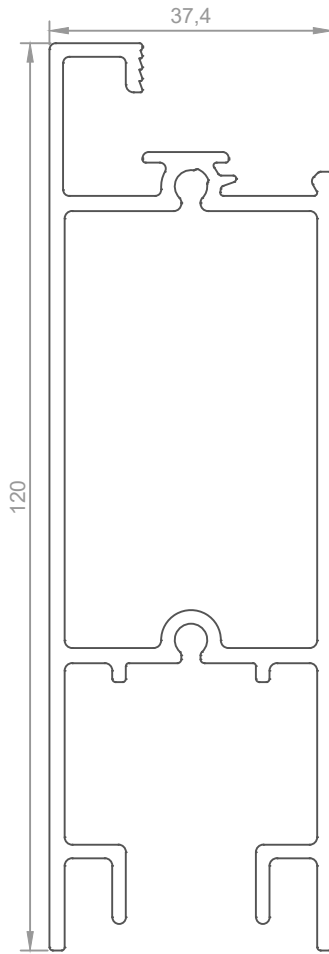
150KG DOUBLE GLAZED BEADED RAIL	
Part no.	Length
CAD126	6500



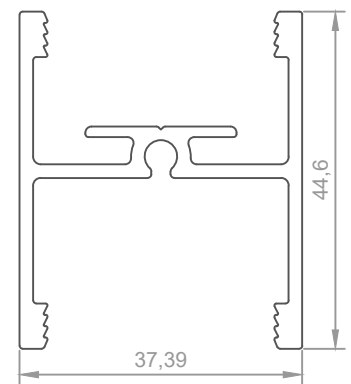
WIDE DOUBLE GLAZED RAIL	
Part no.	Length
CAD142	6500



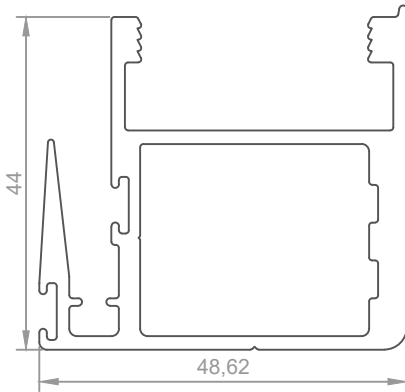
WIDE DOUBLE GLAZED BEADED RAIL	
Part no.	Length
CAD144	6500



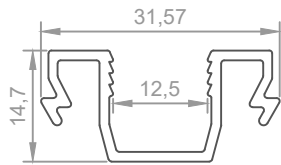
WIDE SINGLE GLAZED BEADED RAIL	
Part no.	Length
CAD143	6500



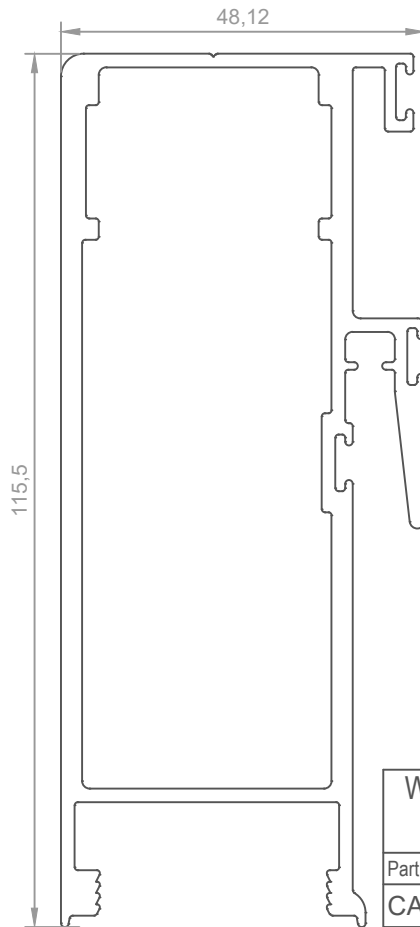
APARTMENT DOOR MIDRAIL	
Part no.	Length
CAD120	6500



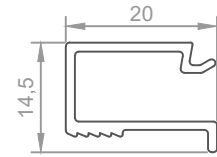
DOUBLE GLAZED INTERLOCK	
Part no.	Length
CAD151	5000 / 6500



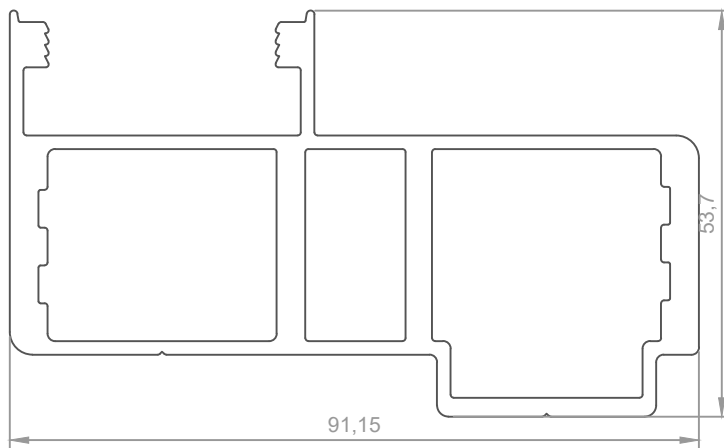
POCKET ADAPTER	
Part no.	Length
CAD164	6500



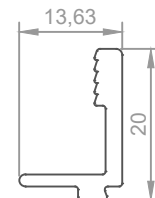
WIDE DOUBLE GLAZED INTERLOCK	
Part no.	Length
CAD148	6500



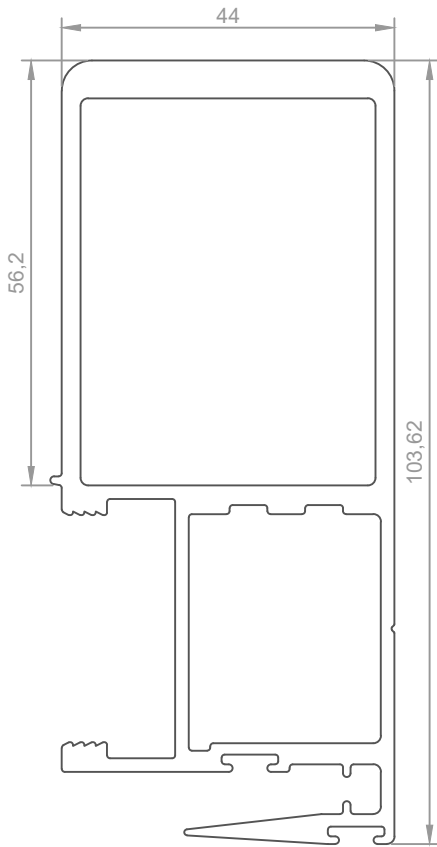
SINGLE GLAZED BEAD	
Part no.	Length
CAD115	6500



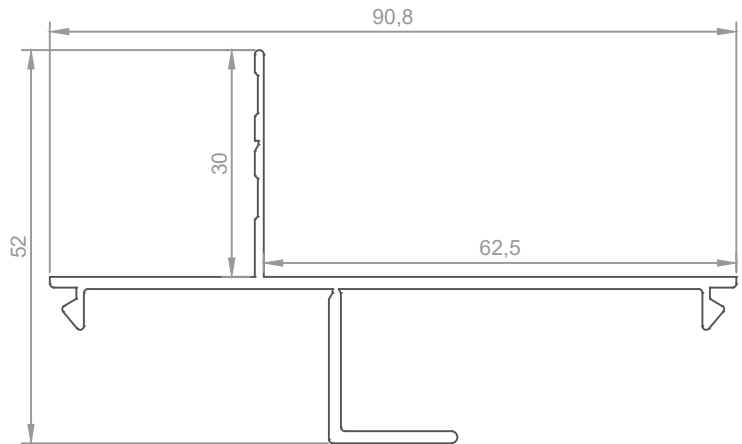
3 PANEL ADAPTER	
Part no.	Length
CAD018	3000



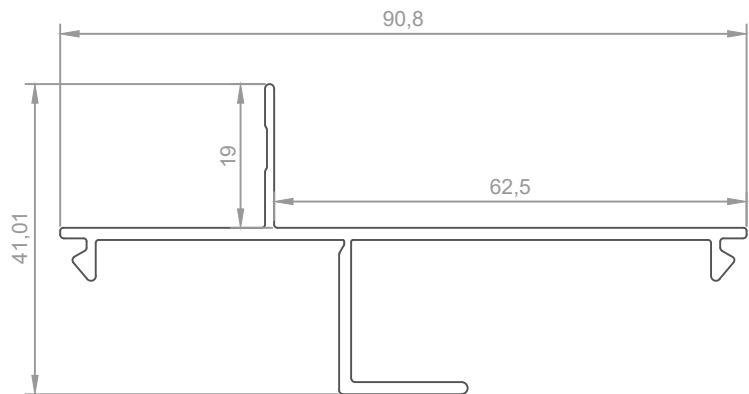
DOUBLE GLAZED BEAD	
Part no.	Length
CAD127	6500



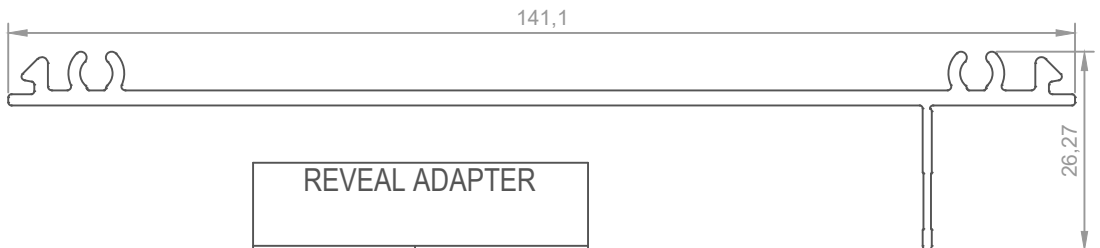
HEAVY DUTY DOUBLE GLAZED INTERLOCK	
Part no.	Length
CAD124	6500



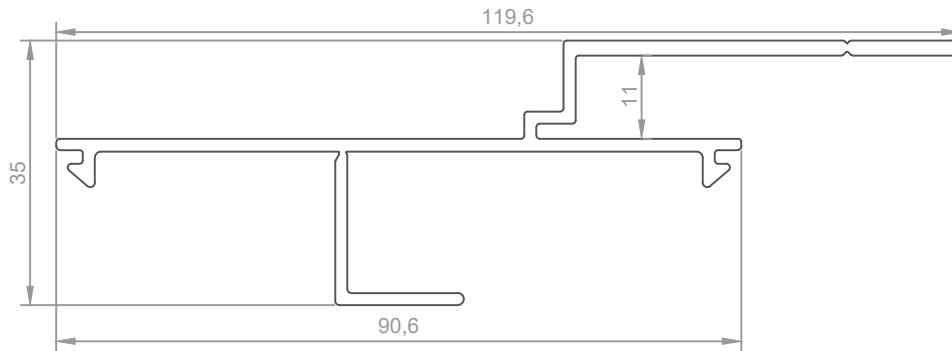
REVEAL ADAPTER	
Part no.	Length
CA430	6500



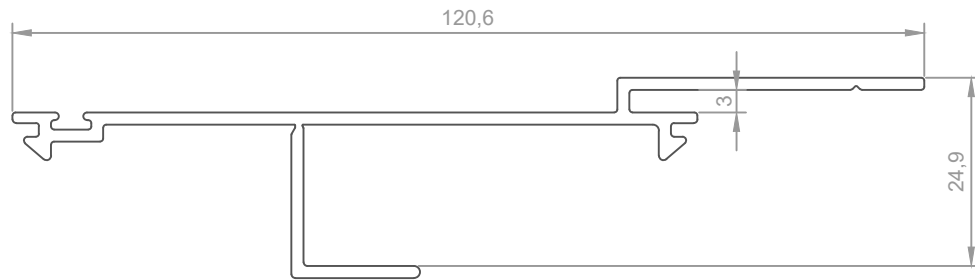
REVEAL ADAPTER	
Part no.	Length
CA490	6500



REVEAL ADAPTER	
Part no.	Length
CAD019	6500

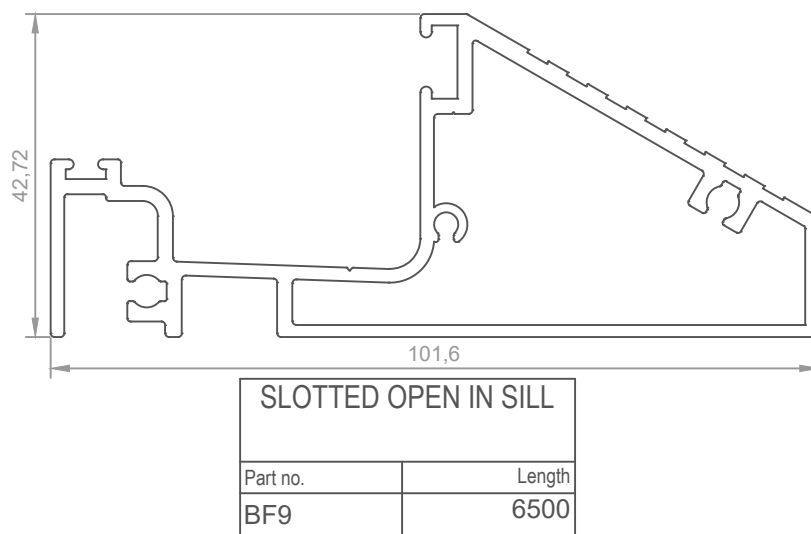
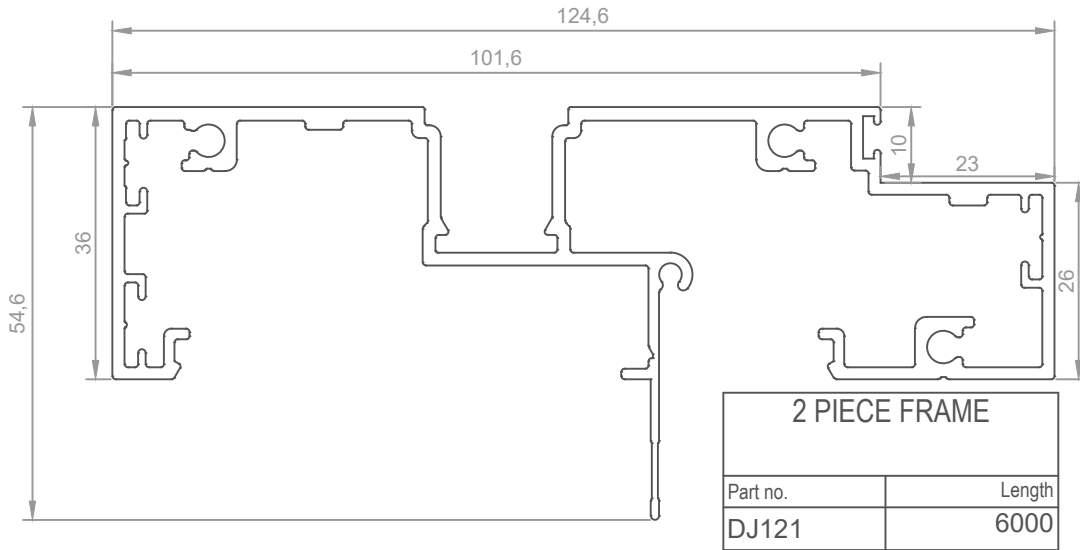


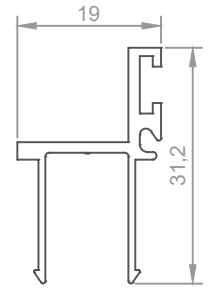
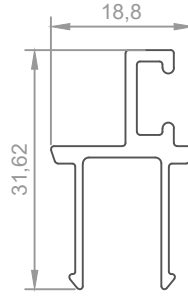
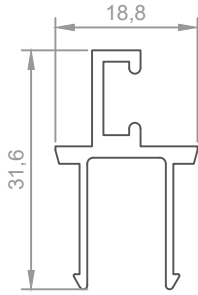
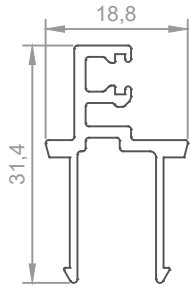
EZY REVEAL ADAPTER	
Part no.	Length
CA450	6500



EZY REVEAL ADAPTER	
Part no.	Length
CA493	6500

Apollo Entry Door



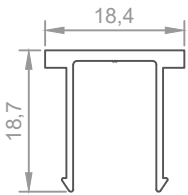


DOOR STOP	
Part no.	Length
CA458	6500

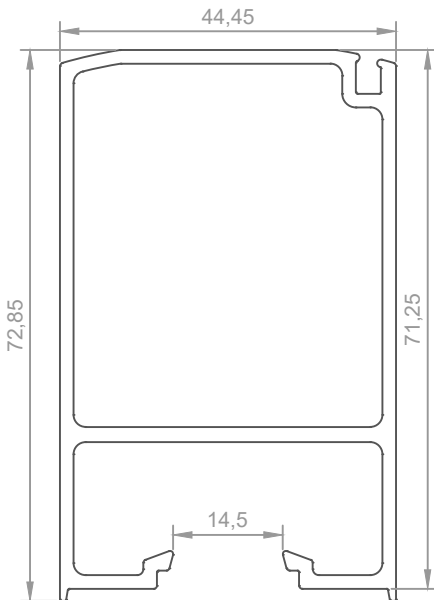
DOOR STOP	
Part no.	Length
CA407	6500

DOOR STOP	
Part no.	Length
CA455	6500

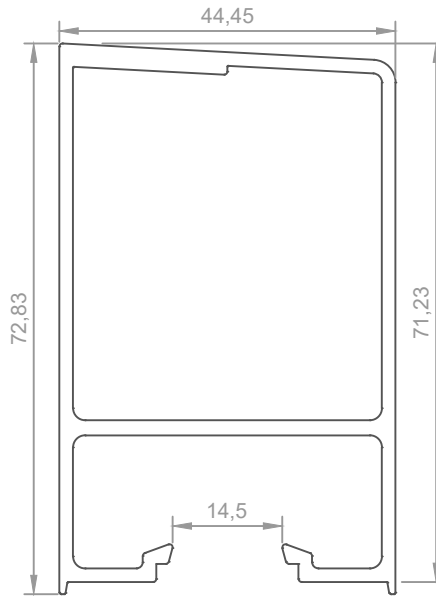
DOOR STOP	
Part no.	Length
CA408	6500



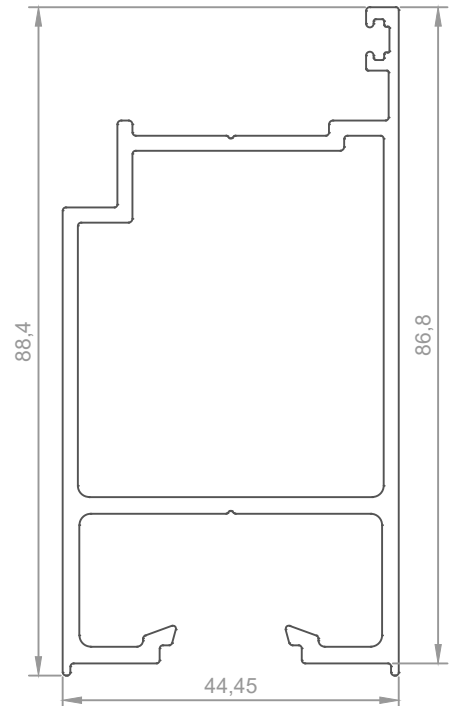
POCKET FILLER	
Part no.	Length
CA409	6500



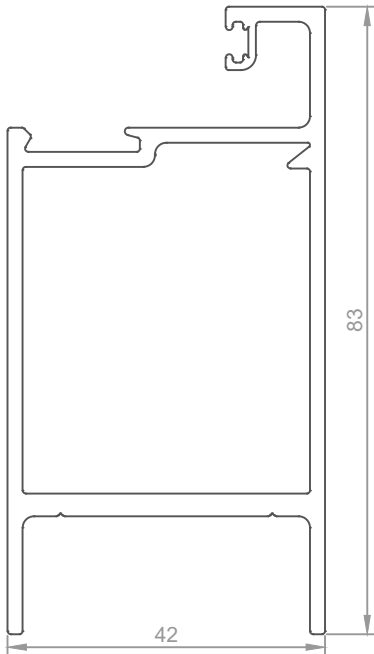
SINGLE GLAZED LOCK STILE	
Part no.	Length
CD213	6500



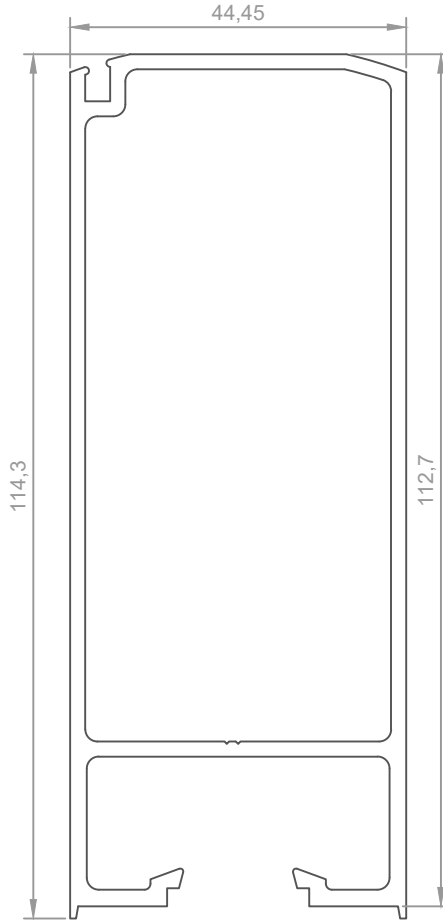
SINGLE GLAZED HINGE STILE	
Part no.	Length
CD214	6500



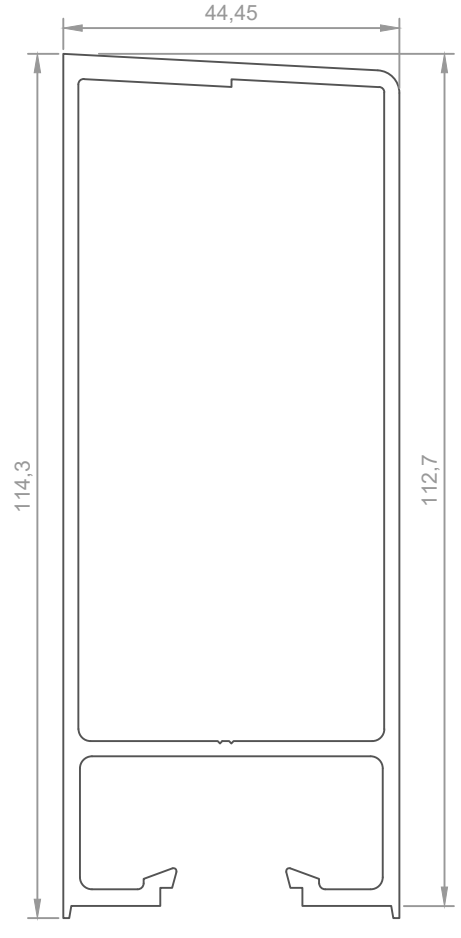
SINGLE GLAZED LOCK STILE	
Part no.	Length
BF5	6500



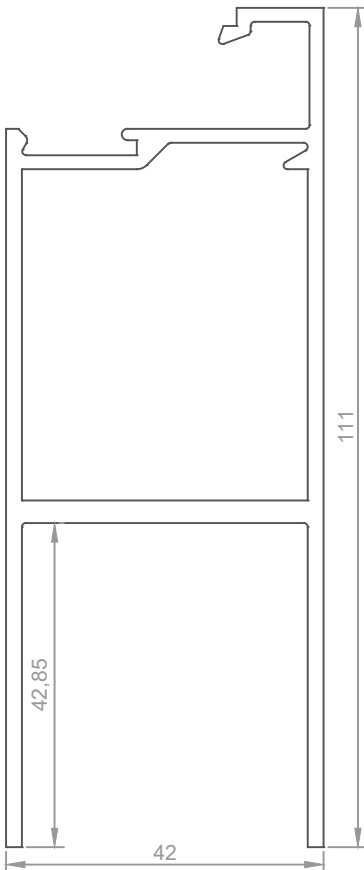
SINGLE GLAZED TOP AND BOTTOM RAIL	
Part no.	Length
BF6	6500



WIDE SINGLE GLAZED LOCK STILE	
Part no.	Length
CD300	6500



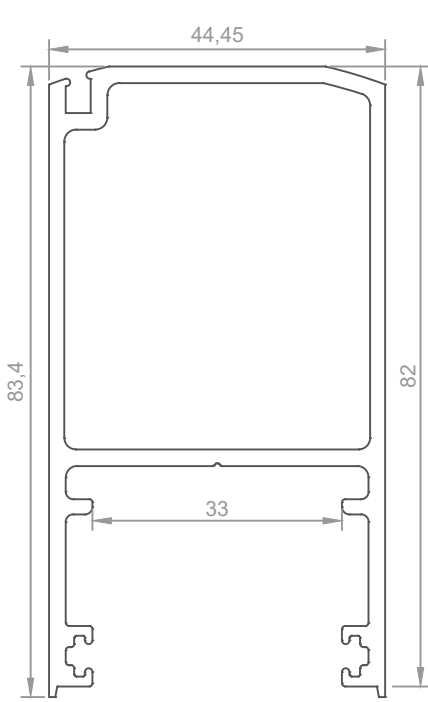
WIDE SINGLE GLAZED HINGE STILE	
Part no.	Length
CD301	6500



SINGLE GLAZED WIDE BOTTOM RAIL	
Part no.	Length
CD201	6500

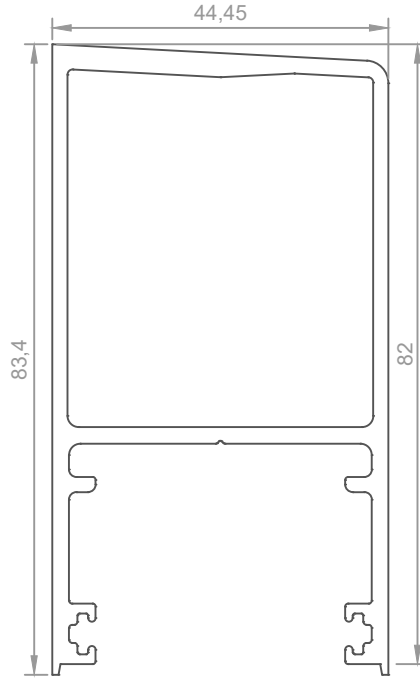
IMPORTANT NOTICE

THIS DRAWING AND THE DESIGN SHOWN IS THE INTELLECTUAL PROPERTY OF CONCEPT ARCHITECTURAL SYSTEMS AND IS PROTECTED BY COPYRIGHT. THIS DRAWING MAY NOT BE COPIED OR DISTRIBUTED WITHOUT THE WRITTEN CONSENT OF CONCEPT ARCHITECTURAL SYSTEMS ©



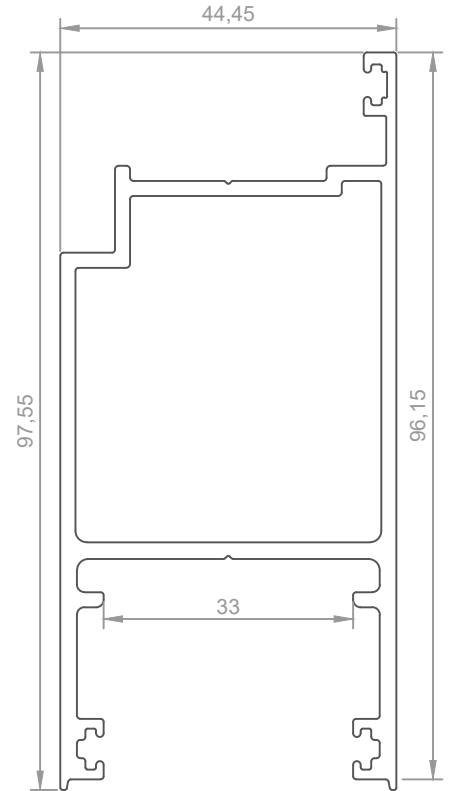
DEEP POCKET LOCK STILE

Part no.	Length
DG920	6500



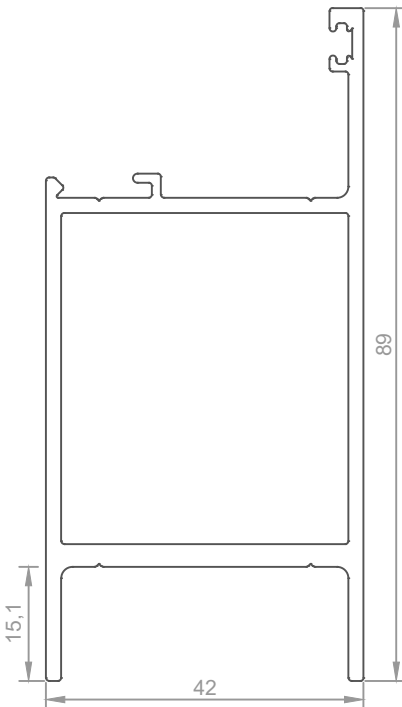
DEEP POCKET HINGE STILE

Part no.	Length
DG921	6500



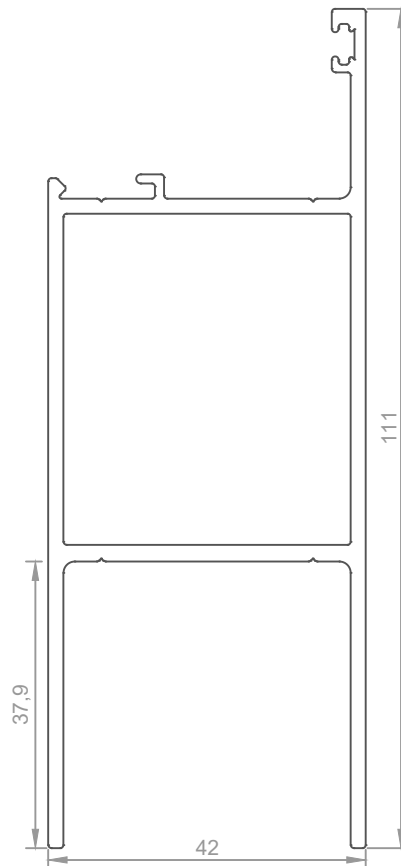
DEEP POCKET SELF MATING STILE

Part no.	Length
DG922	6500



DOUBLE GLAZED RAIL

Part no.	Length
DG904	6500

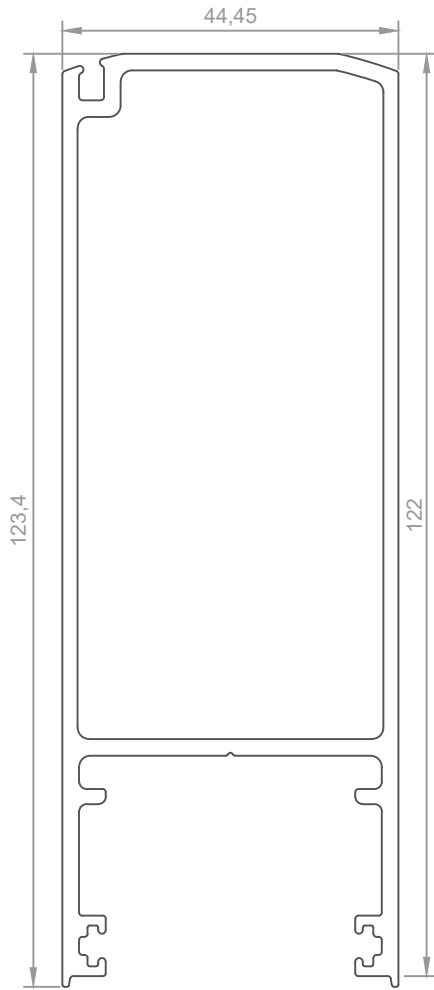


WIDE DOUBLE GLAZED RAIL

Part no.	Length
DG905	6500

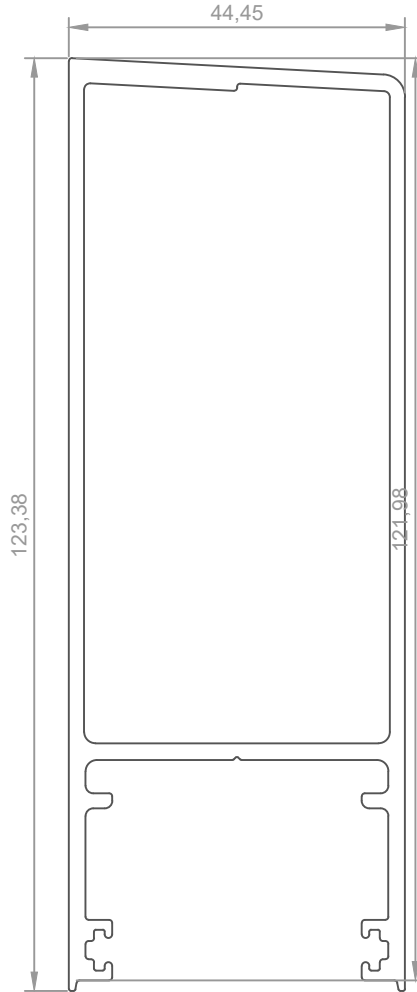
IMPORTANT NOTICE

THIS DRAWING AND THE DESIGN SHOWN IS THE INTELLECTUAL PROPERTY OF CONCEPT ARCHITECTURAL SYSTEMS AND IS PROTECTED BY COPYRIGHT. THIS DRAWING MAY NOT BE COPIED OR DISTRIBUTED WITHOUT THE WRITTEN CONSENT OF CONCEPT ARCHITECTURAL SYSTEMS ©



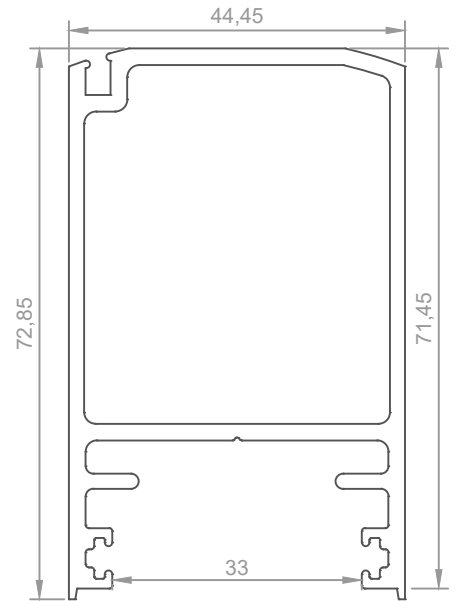
WIDE DEEP POCKET LOCK STILE

Part no.	Length
DG930	6500



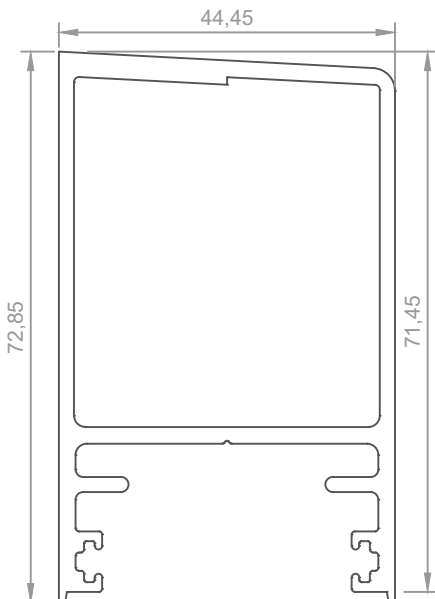
WIDE DEEP POCKET HINGE STILE

Part no.	Length
DG931	6500



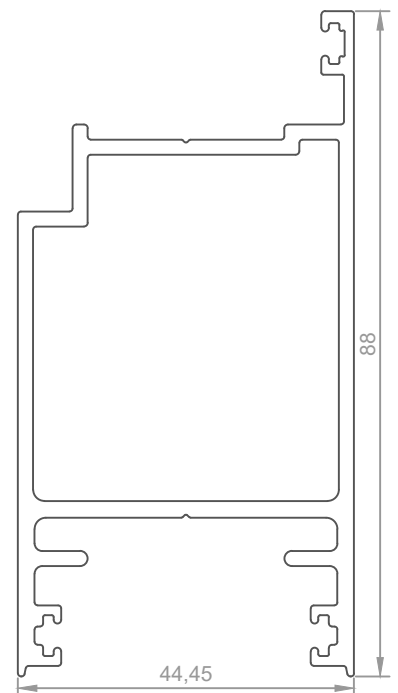
DOUBLE GLAZED LOCK STILE

Part no.	Length
DG900	6500



DOUBLE GLAZED HINGE STILE

Part no.	Length
DG902	6500

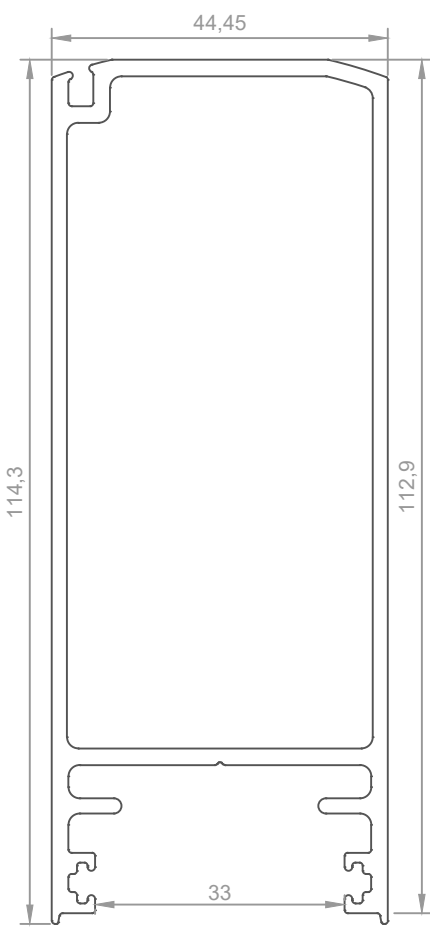


DOUBLE GLAZED LOCK STILE

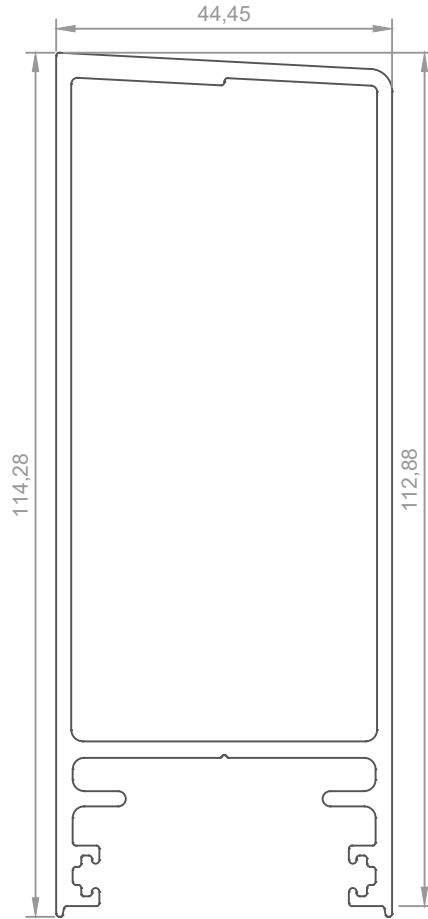
Part no.	Length
BF7	6500

IMPORTANT NOTICE

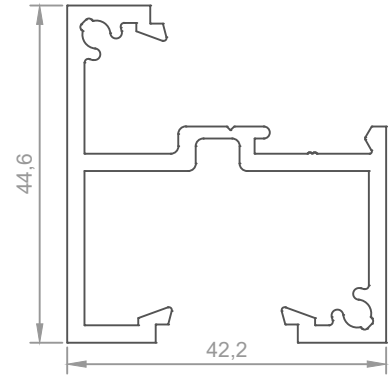
THIS DRAWING AND THE DESIGN SHOWN IS THE INTELLECTUAL PROPERTY OF CONCEPT ARCHITECTURAL SYSTEMS AND IS PROTECTED BY COPYRIGHT. THIS DRAWING MAY NOT BE COPIED OR DISTRIBUTED WITHOUT THE WRITTEN CONSENT OF CONCEPT ARCHITECTURAL SYSTEMS ©



WIDE D/G LOCK STILE	
Part no.	Length
DG910	6500



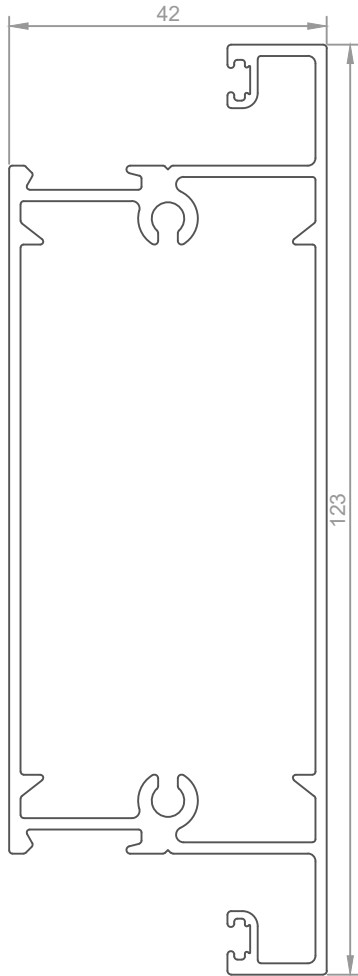
WIDE D/G HINGE STILE	
Part no.	Length
DG906	6500



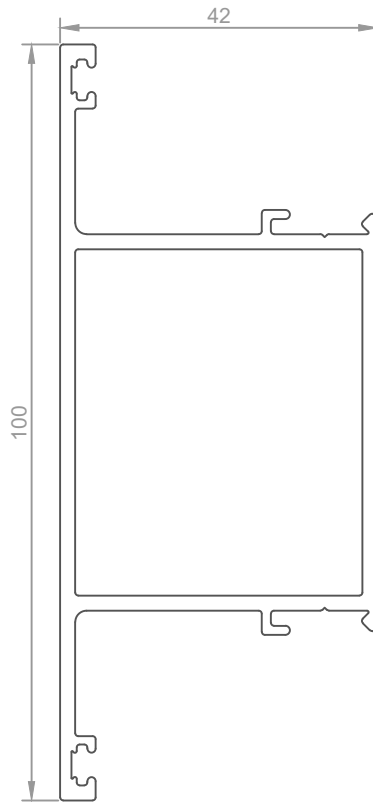
SINGLE GLAZED MIDRAIL	
Part no.	Length
CD203	6500

IMPORTANT NOTICE

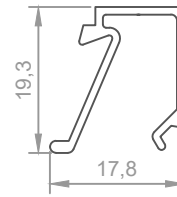
THIS DRAWING AND THE DESIGN SHOWN IS THE INTELLECTUAL PROPERTY OF CONCEPT ARCHITECTURAL SYSTEMS AND IS PROTECTED BY COPYRIGHT. THIS DRAWING MAY NOT BE COPIED OR DISTRIBUTED WITHOUT THE WRITTEN CONSENT OF CONCEPT ARCHITECTURAL SYSTEMS ©



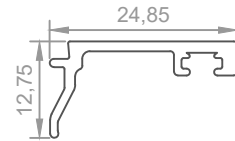
SINGLE GLAZED WIDE MIDRAIL	
Part no.	Length
CD204	6500



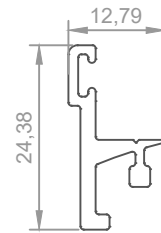
DOUBLE GLAZED MIDRAIL	
Part no.	Length
DG911	6500



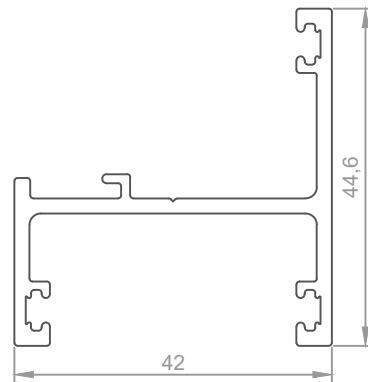
SINGLE GLAZED BEAD	
Part no.	Length
CD202	6500



DOUBLE GLAZED BEAD	
Part no.	Length
CD318	6500



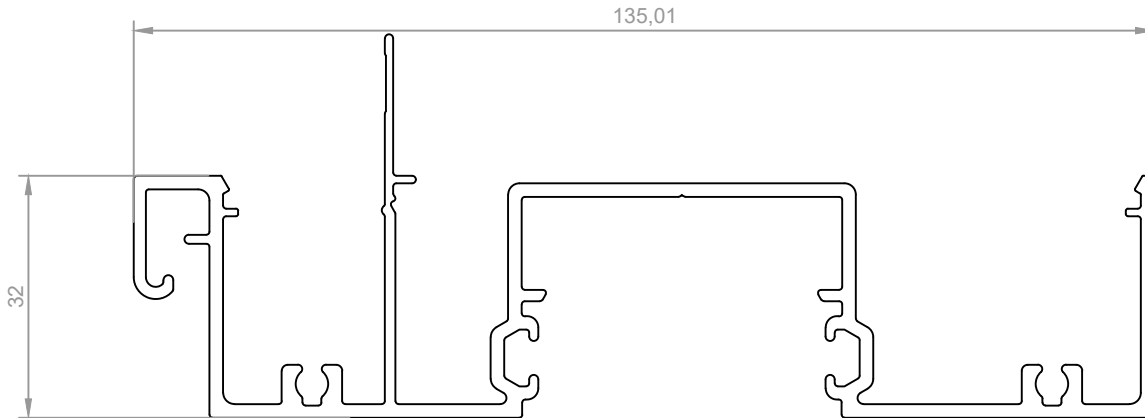
MEETING STILE ADAPTER	
Part no.	Length
CA436	4800



DOUBLE GLAZED MIDRAIL	
Part no.	Length
DG912	4800

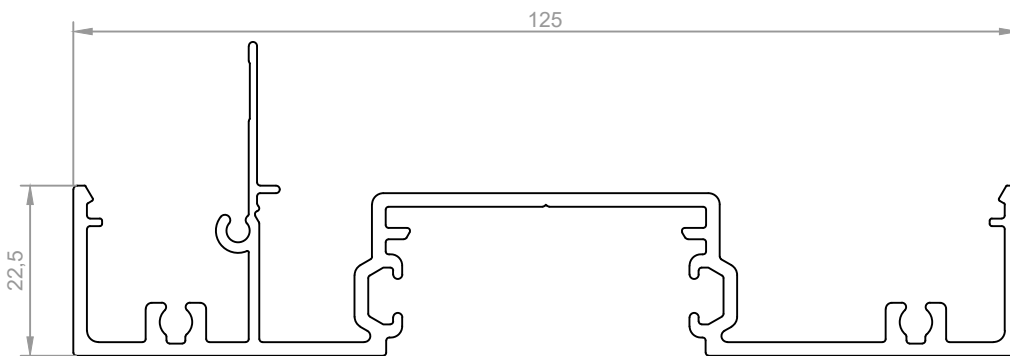
IMPORTANT NOTICE

THIS DRAWING AND THE DESIGN SHOWN IS THE INTELLECTUAL PROPERTY OF CONCEPT ARCHITECTURAL SYSTEMS AND IS PROTECTED BY COPYRIGHT. THIS DRAWING MAY NOT BE COPIED OR DISTRIBUTED WITHOUT THE WRITTEN CONSENT OF CONCEPT ARCHITECTURAL SYSTEMS ©



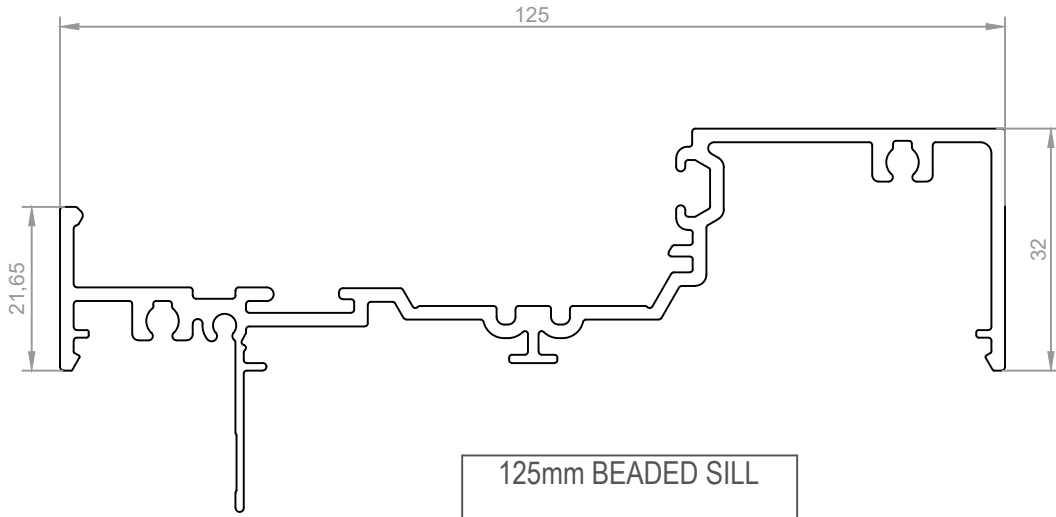
HOOK HEAD FRAME

Part no.	Length
DJ130	6000

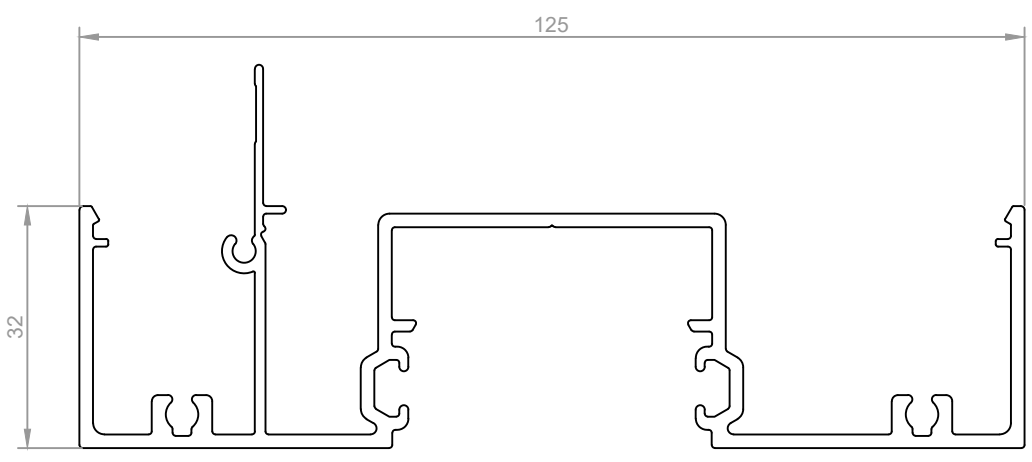


125mm NARROW FRAME

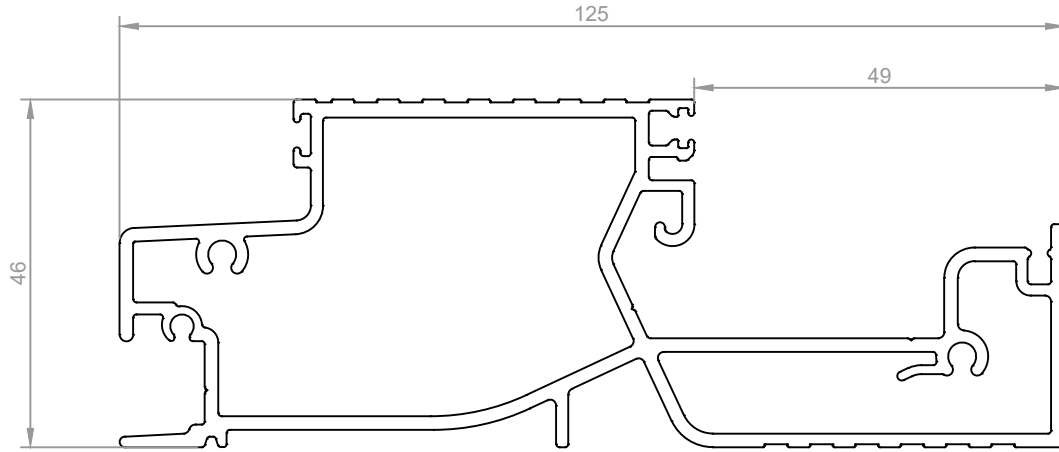
Part no.	Length
DJ129	6000



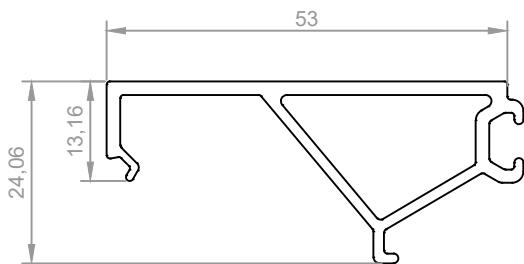
125mm BEADED SILL	
Part no.	Length
DJ126	6000



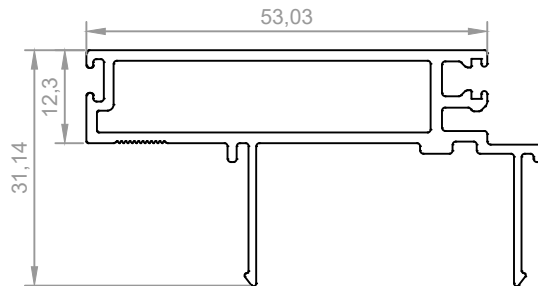
125mm FRAME	
Part no.	Length
DJ125	6000



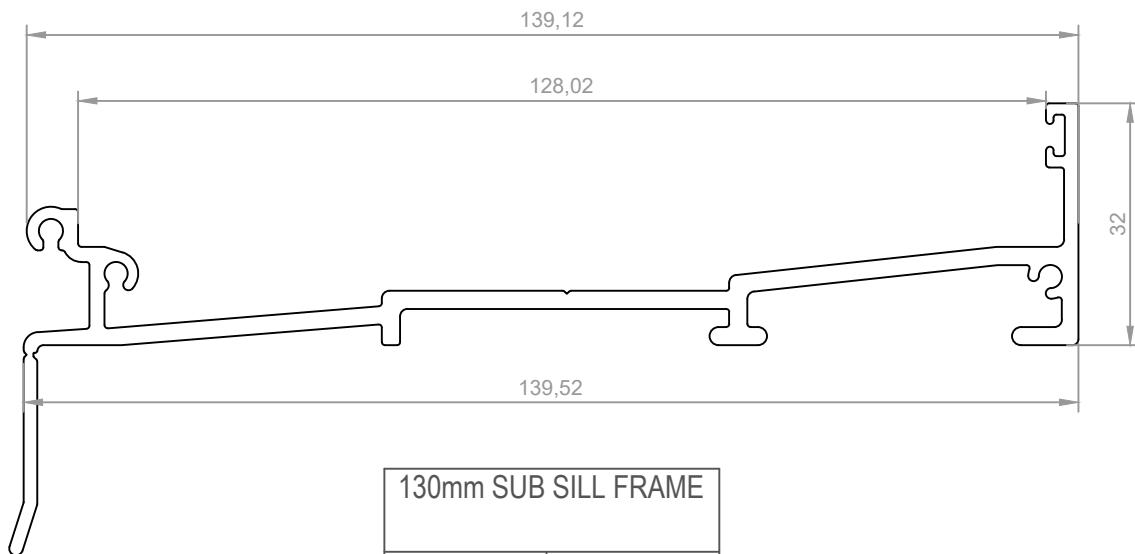
125mm THRESHOLD	
Part no.	Length
DJ135	6000



SG GLAZING BEAD	
Part no.	Length
DJ127	6000

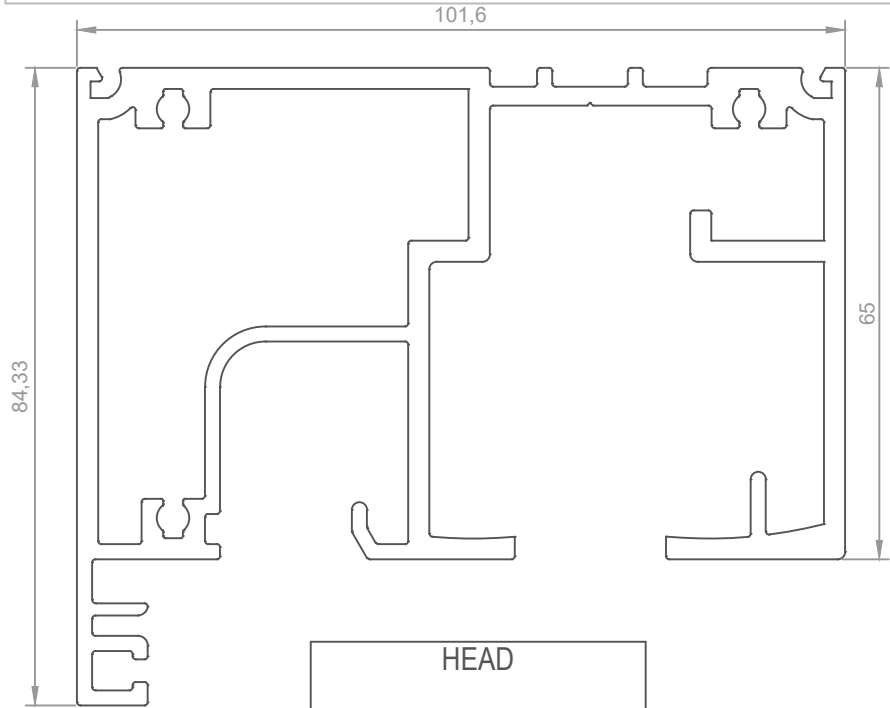


DOOR STOP	
Part no.	Length
DJ132	6000

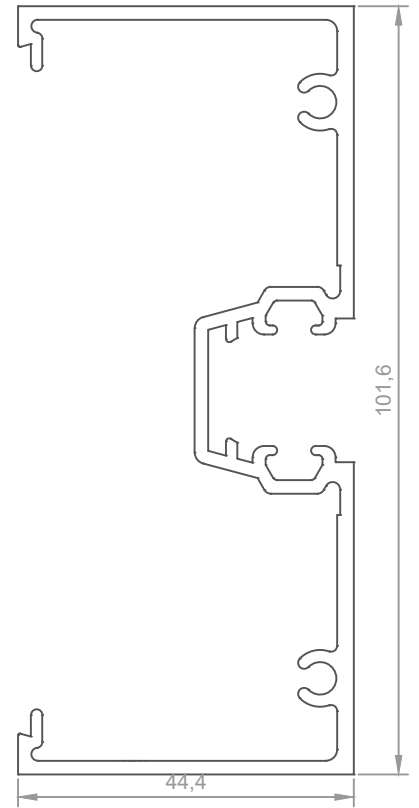


130mm SUB SILL FRAME	
Part no.	Length
SS12	6000

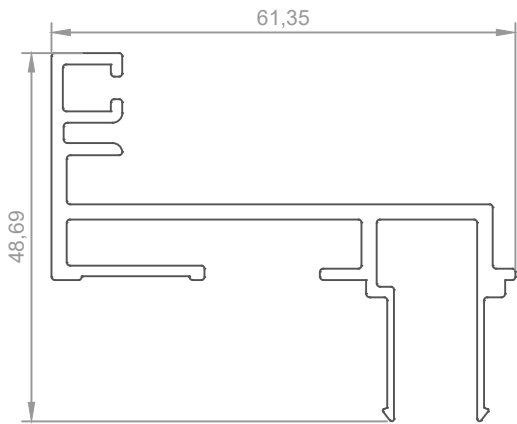
Windsor Bi-Fold



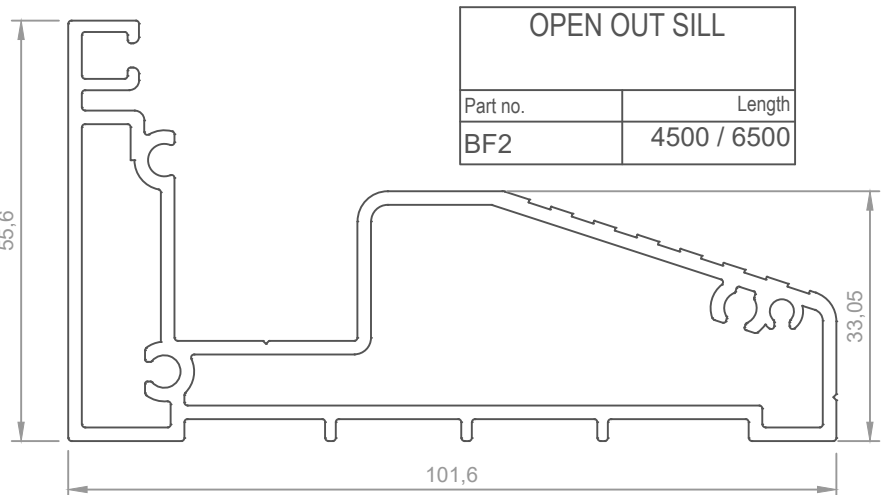
HEAD	
Part no.	Length
BF1	6500 / 4500



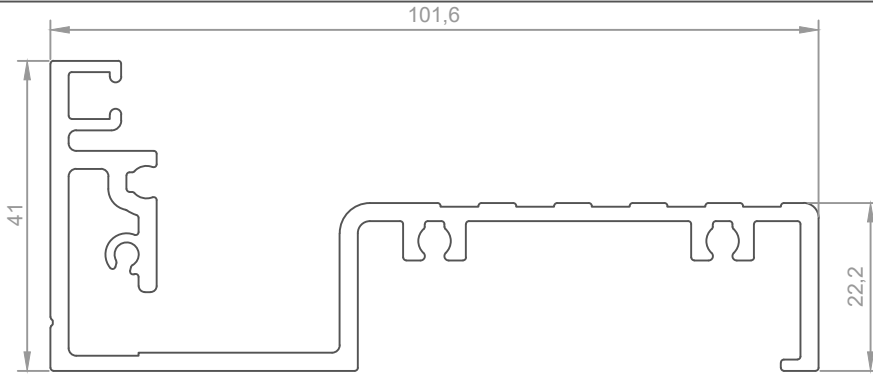
FRAME	
Part no.	Length
CA460	6500



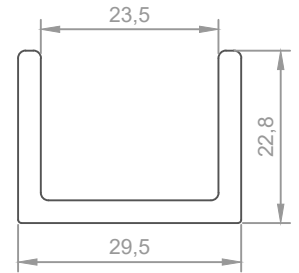
DOOR STOP	
Part no.	Length
BF3	6500



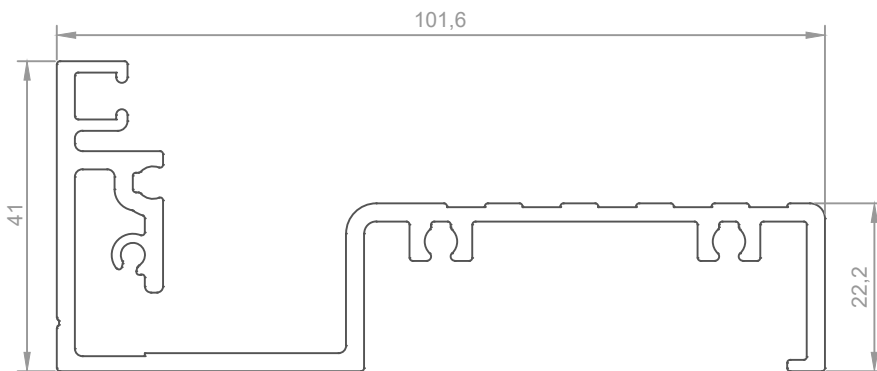
OPEN OUT SILL	
Part no.	Length
BF2	4500 / 6500



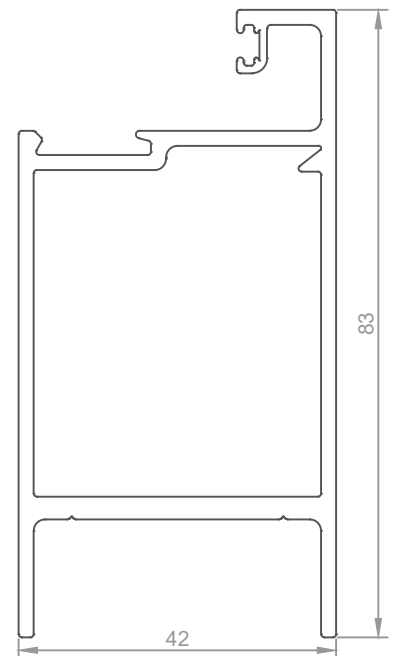
OPEN IN SILL	
Part no.	Length
BF10	6500



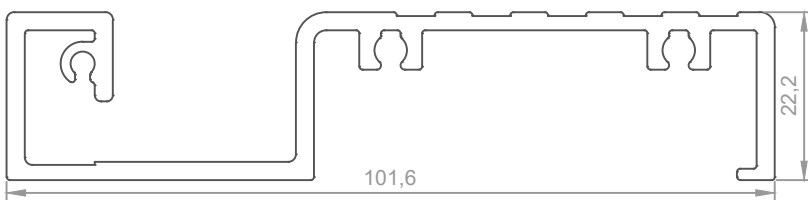
CHANNEL SILL	
Part no.	Length
BF11	6500



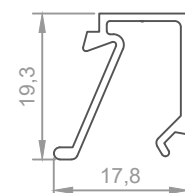
OPEN OUT SILL WITH SUB SILL	
Part no.	Length
BF13	6500



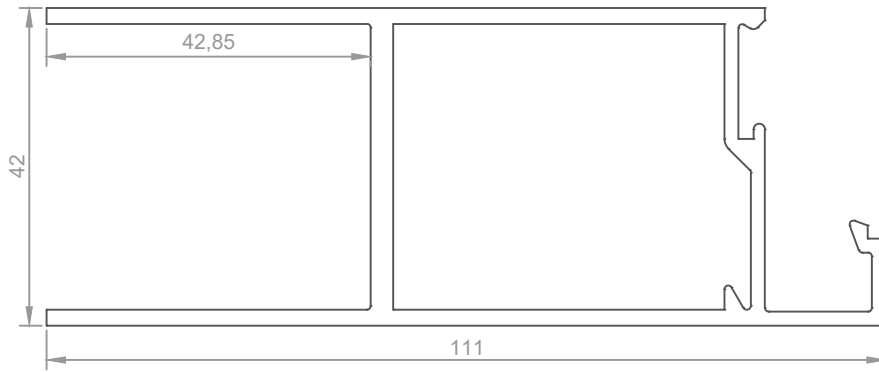
SINGLE GLAZED TOP AND BOTTOM RAIL	
Part no.	Length
BF6	6500



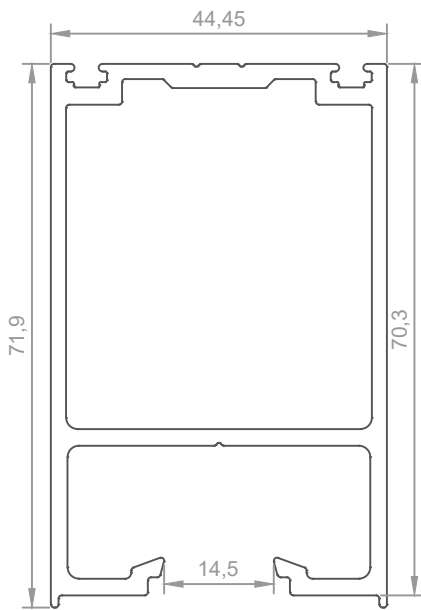
LOW STEP SILL	
Part no.	Length
BF14	6500



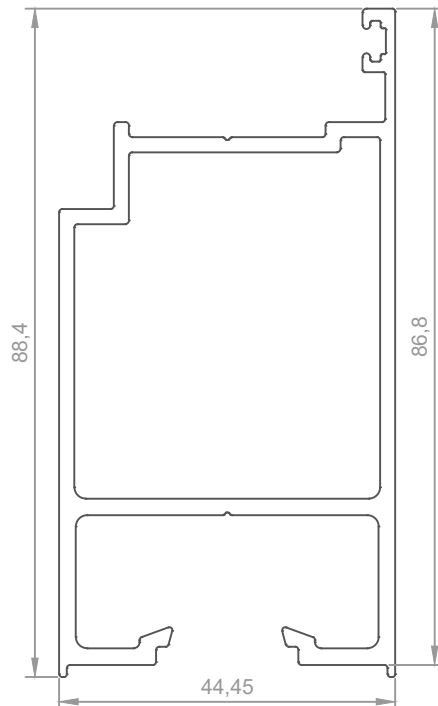
SINGLE GLAZED BEAD	
Part no.	Length
CD202	6500



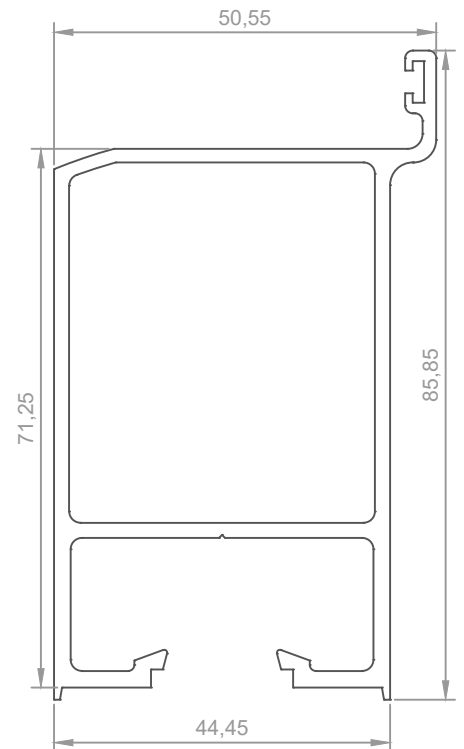
SINGLE GLAZED WIDE BOTTOM RAIL	
Part no.	Length
CD201	6500



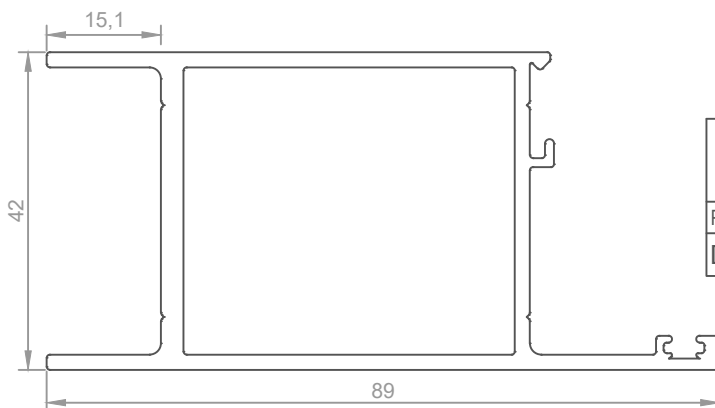
SINGLE GLAZED DOOR STILE	
Part no.	Length
BF4	2800 / 6500



SINGLE GLAZED LOCK STILE	
Part no.	Length
BF5	6500



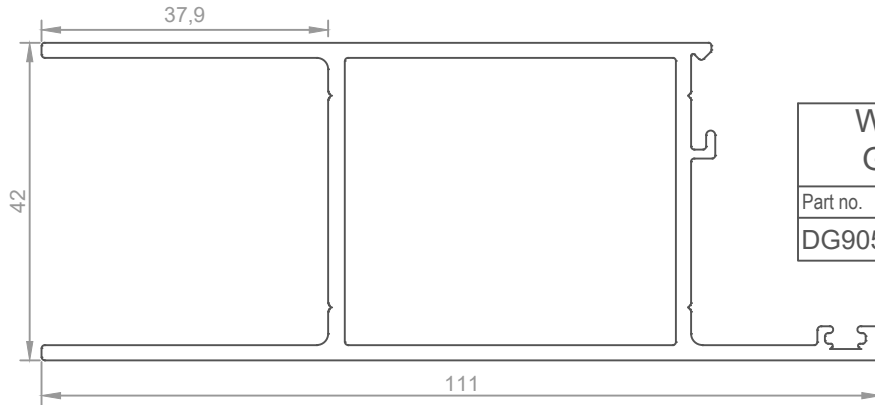
SINGLE GLAZED COVER STILE	
Part no.	Length
CD217	6500



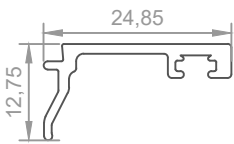
DOUBLE GLAZED RAIL	
Part no.	Length
DG904	6500

IMPORTANT NOTICE

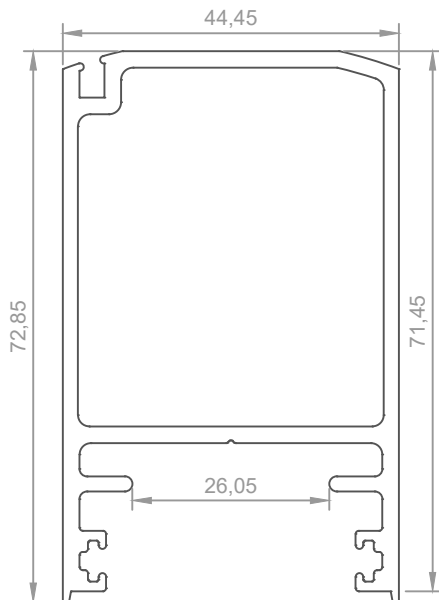
THIS DRAWING AND THE DESIGN SHOWN IS THE INTELLECTUAL PROPERTY OF CONCEPT ARCHITECTURAL SYSTEMS AND IS PROTECTED BY COPYRIGHT. THIS DRAWING MAY NOT BE COPIED OR DISTRIBUTED WITHOUT THE WRITTEN CONSENT OF CONCEPT ARCHITECTURAL SYSTEMS ©



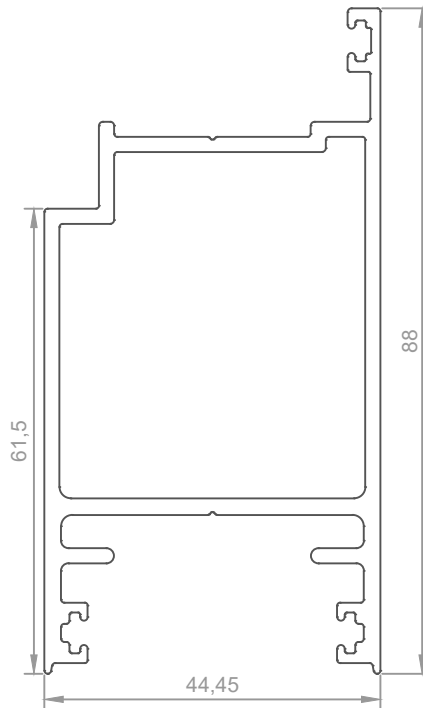
WIDE DOUBLE GLAZED RAIL	
Part no.	Length
DG905	6500



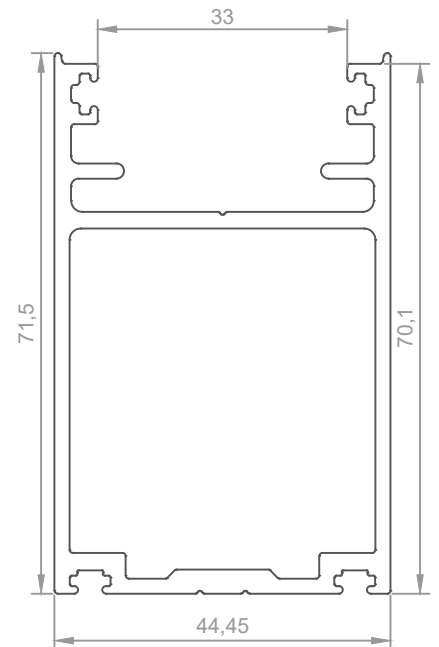
DOUBLE GLAZED DOOR BEAD	
Part no.	Length
CD318	6500



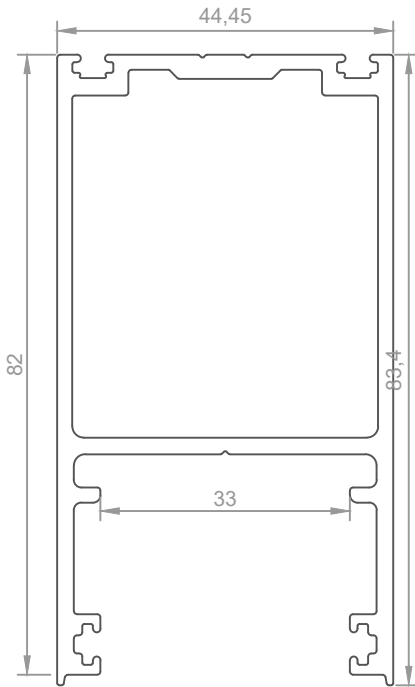
DOUBLE GLAZED LOCK STILE	
Part no.	Length
DG900	6500



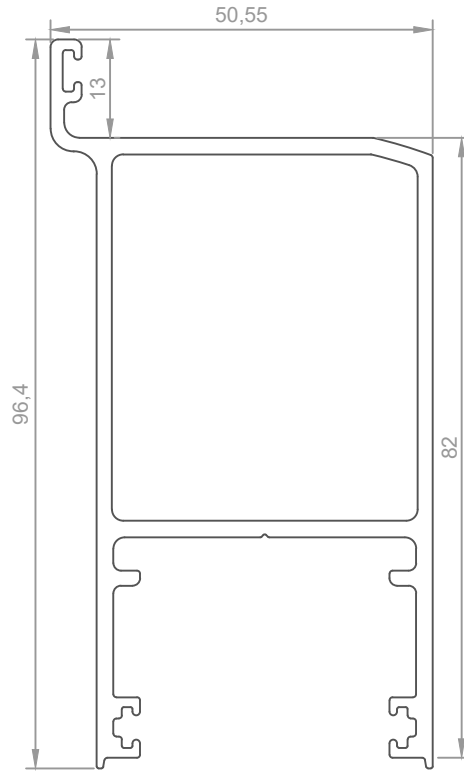
DOUBLE GLAZED LOCK STILE	
Part no.	Length
BF7	6500



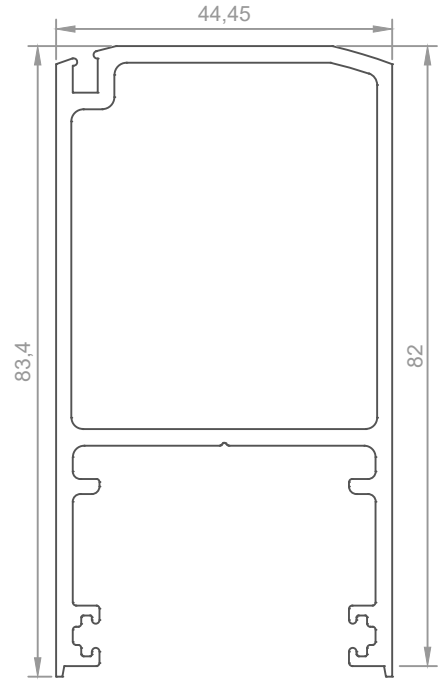
DOUBLE GLAZED DOOR STILE	
Part no.	Length
BF8	2800 / 6500



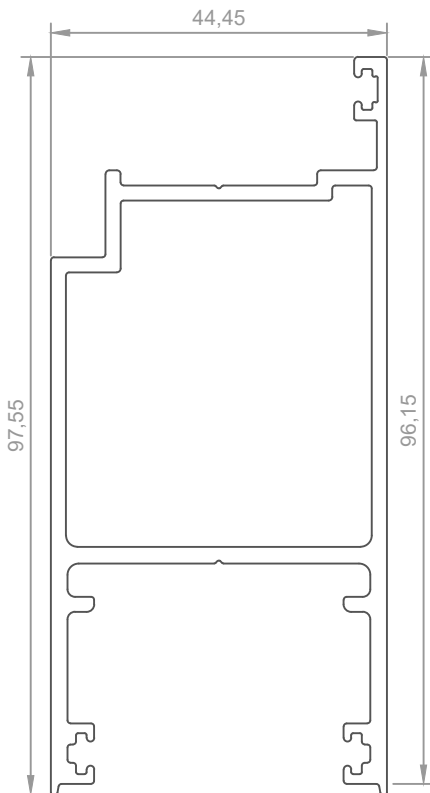
DEEP POCKET BI-FOLD STILE	
Part no.	Length
DG923	2800/6500



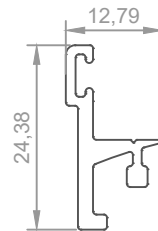
DEEP POCKET COVER STILE	
Part no.	Length
DG925	6500



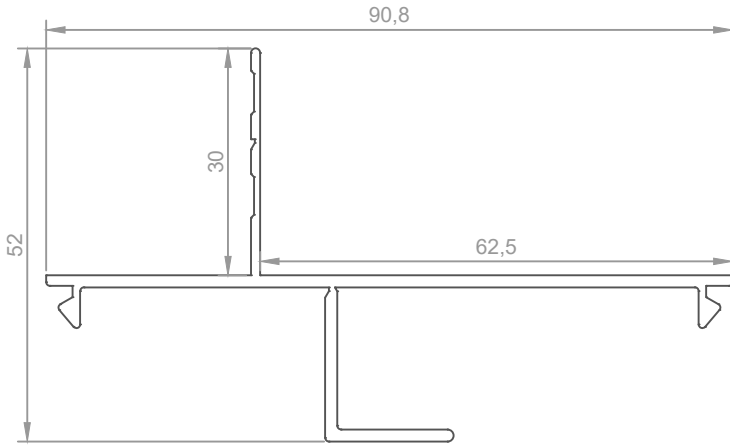
DEEP POCKET LOCK STILE	
Part no.	Length
DG920	6500



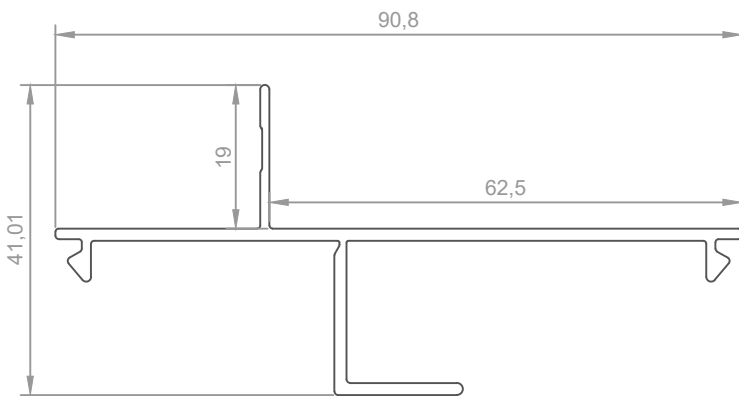
DEEP POCKET SELF MATING STILE	
Part no.	Length
DG922	6500



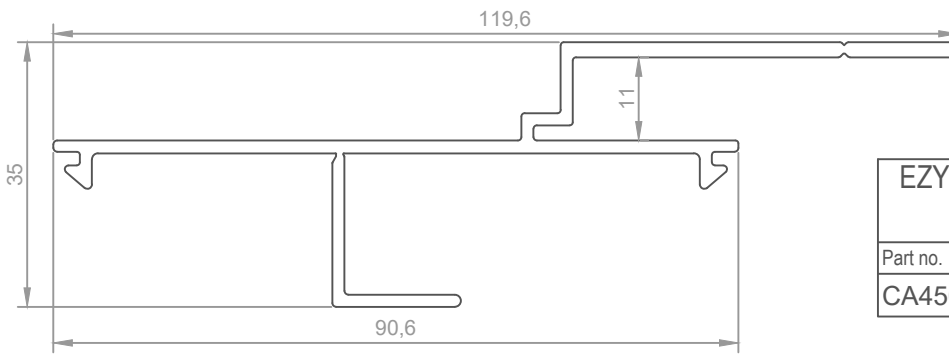
MEETING STILE ADAPTER	
Part no.	Length
CA436	4800



REVEAL ADAPTER	
Part no.	Length
CA430	6500



REVEAL ADAPTER	
Part no.	Length
CA490	6500

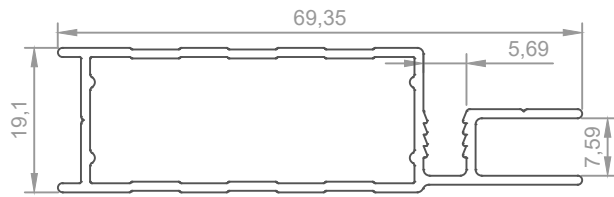


EZY REVEAL ADAPTER	
Part no.	Length
CA450	6500

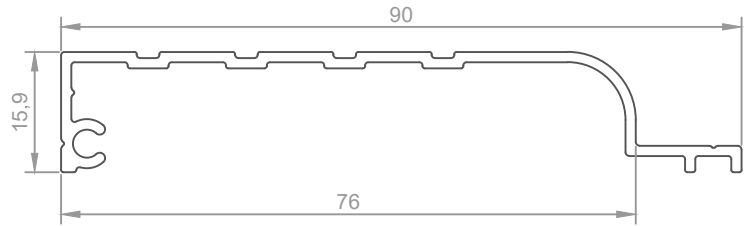


EZY REVEAL ADAPTER	
Part no.	Length
CA493	6500

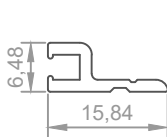
Security Profiles



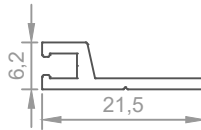
SECURITY DOOR FRAME	
Part no.	Length
DF7	6000



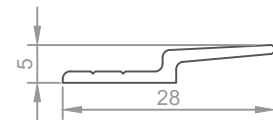
ARCHITRAVE	
Part no.	Length
CA090	6000



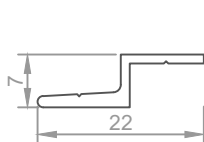
15MM BUG STRIP	
Part no.	Length
CS1	4300



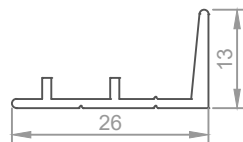
20MM BUG STRIP	
Part no.	Length
CS2	4300



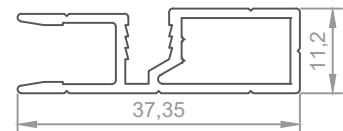
30MM INTERLOCK	
Part no.	Length
CS3	4800



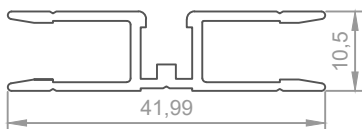
20MM INTERLOCK	
Part no.	Length
CS4	4800



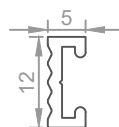
FRAME INTERLOCK	
Part no.	Length
CS5	4800



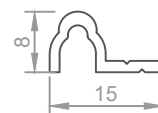
SECURITY WINDOW FRAME	
Part no.	Length
CS6	6000



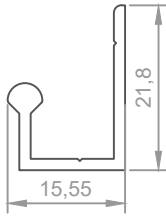
MIDRAIL	
Part no.	Length
CS8	4300



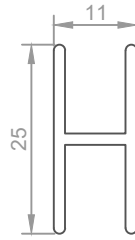
5MM PACKER	
Part no.	Length
CS9	3000



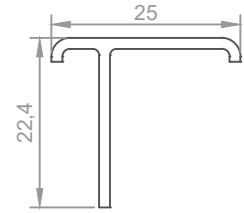
BOTTOM TRACK	
Part no.	Length
CS10	4300



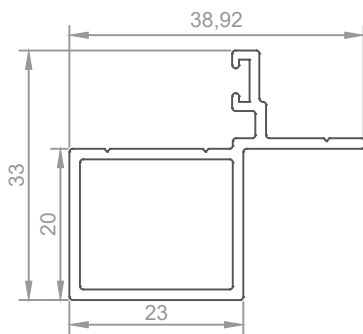
BOTTOM TRACK	
Part no.	Length
CS11	4300



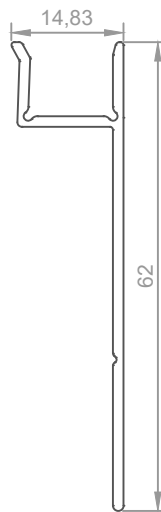
MIDRAIL	
Part no.	Length
CS12	6000



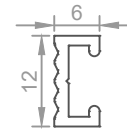
T MULLION	
Part no.	Length
CS14	4300



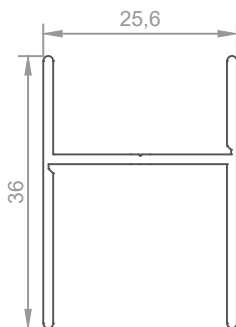
JAMB ADAPTER	
Part no.	Length
CS15	5100



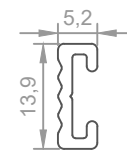
EXTENSION ANGLE	
Part no.	Length
CS16	5000



6MM PACKER	
Part no.	Length
CS18	3000

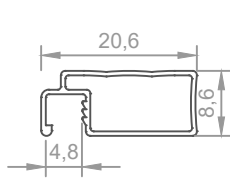


CHANNEL RECEIVER	
Part no.	Length
CS19	6500

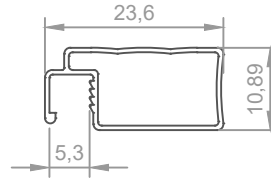


5.5MM PACKER	
Part no.	Length
CS31	3000

Flyscreens



22MM FLYSCREEN	
Part no.	Length
CFS22	5000

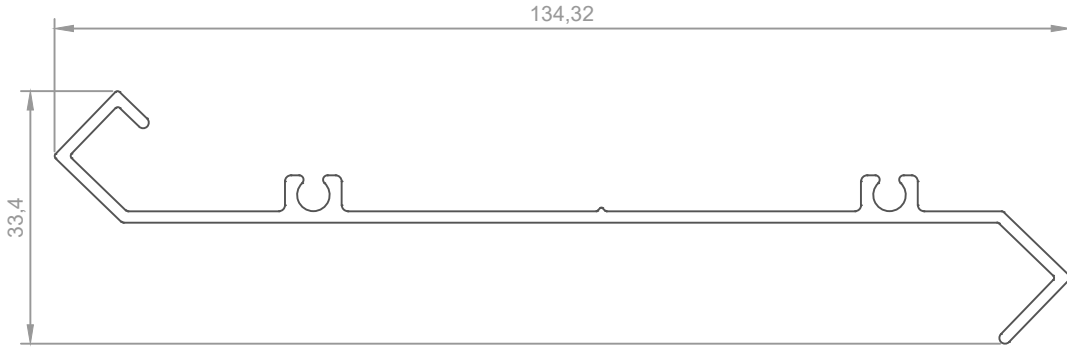


25MM FLYSCREEN	
Part no.	Length
CFS25	5000

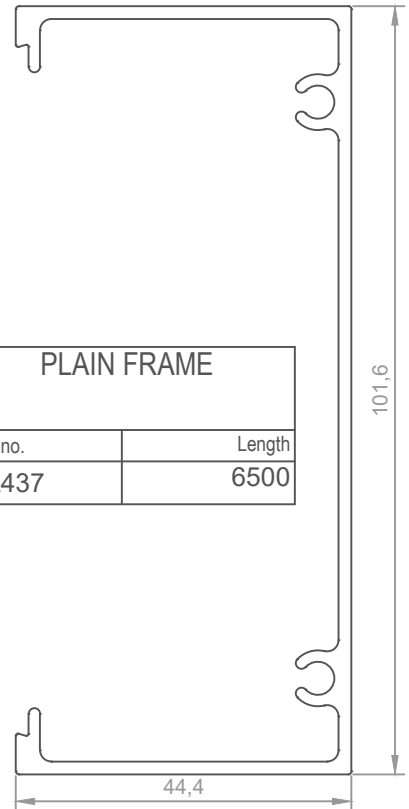
IMPORTANT NOTICE

THIS DRAWING AND THE DESIGN SHOWN IS THE INTELLECTUAL PROPERTY OF
CONCEPT ARCHITECTURAL SYSTEMS AND IS PROTECTED BY COPYRIGHT. THIS DRAWING MAY NOT BE
 COPIED OR DISTRIBUTED WITHOUT THE WRITTEN CONSENT OF **CONCEPT ARCHITECTURAL SYSTEMS** ©

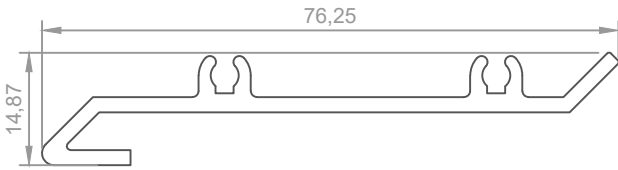
Louvres/Battens/Privacy Screens



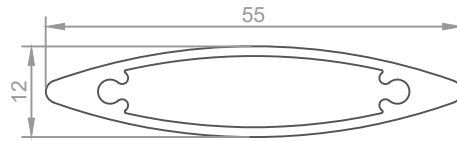
LOUVRE BLADE	
Part no.	Length
CL102	0



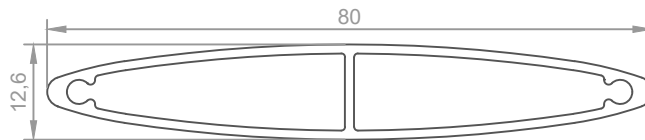
PLAIN FRAME	
Part no.	Length
CA437	6500



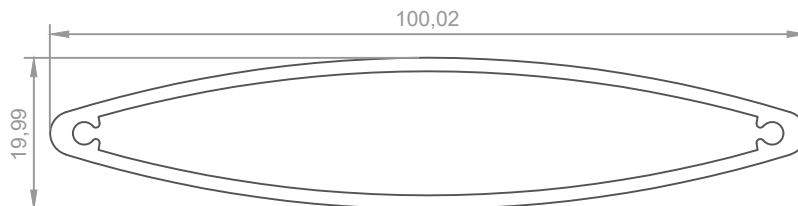
LOUVRE BLADE	
Part no.	Length
CL108	0



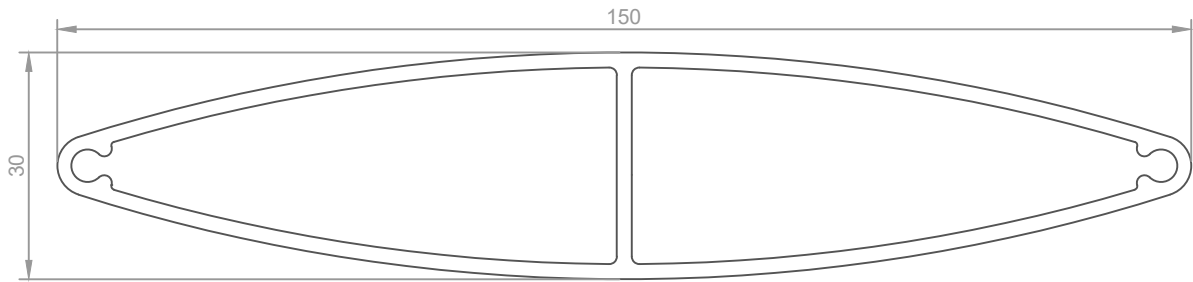
60MM ELLIPSOID LOUVRE BLADE	
Part no.	Length
EB60	6500



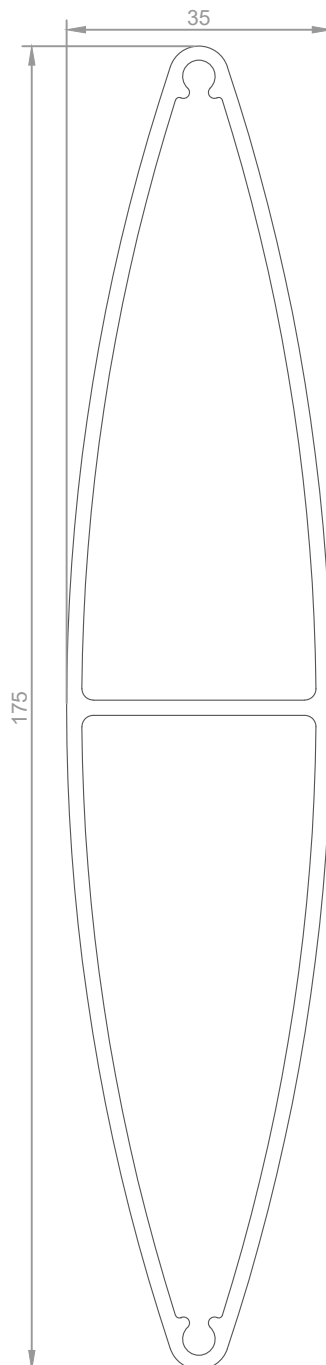
80MM ELLIPSOID LOUVRE BLADE	
Part no.	Length
EB80	6500



100MM ELLIPSOID LOUVRE BLADE	
Part no.	Length
EB100	6500



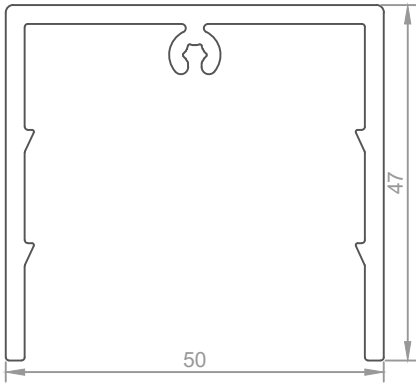
150MM ELLIPSOID LOUVRE BLADE	
Part no.	Length
EB150	6500



175MM ELLIPSOID LOUVRE BLADE	
Part no.	Length
EB175	6500

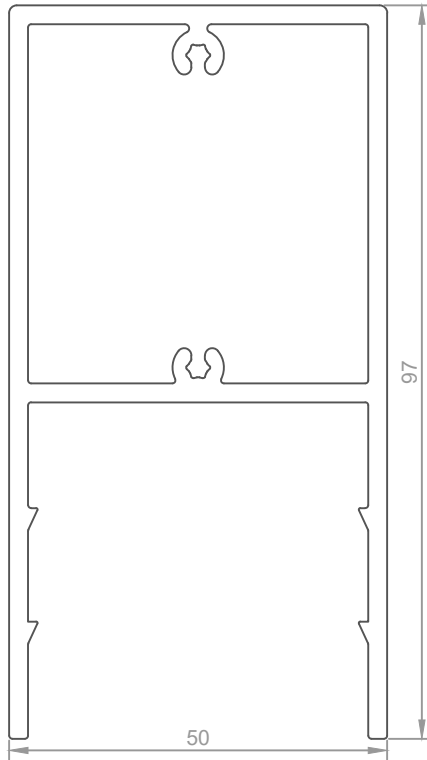
IMPORTANT NOTICE

THIS DRAWING AND THE DESIGN SHOWN IS THE INTELLECTUAL PROPERTY OF CONCEPT ARCHITECTURAL SYSTEMS AND IS PROTECTED BY COPYRIGHT. THIS DRAWING MAY NOT BE COPIED OR DISTRIBUTED WITHOUT THE WRITTEN CONSENT OF CONCEPT ARCHITECTURAL SYSTEMS ©



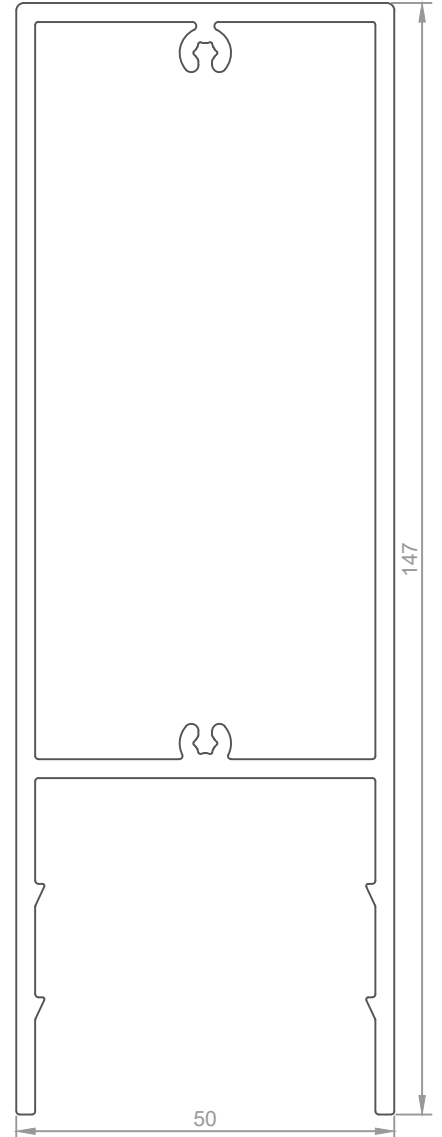
50MM BATTEN

Part no.	Length
BT50	6500



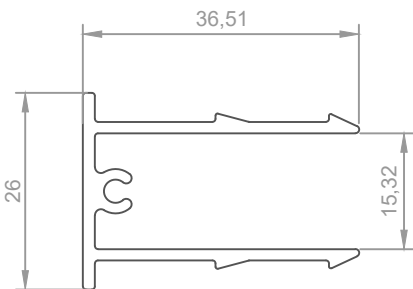
100MM BATTEN

Part no.	Length
BT100	6500



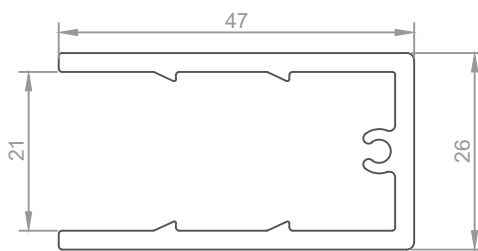
150MM BATTEN

Part no.	Length
BT150	6500



SLIM BATTEN BASE

Part no.	Length
BT26	6500

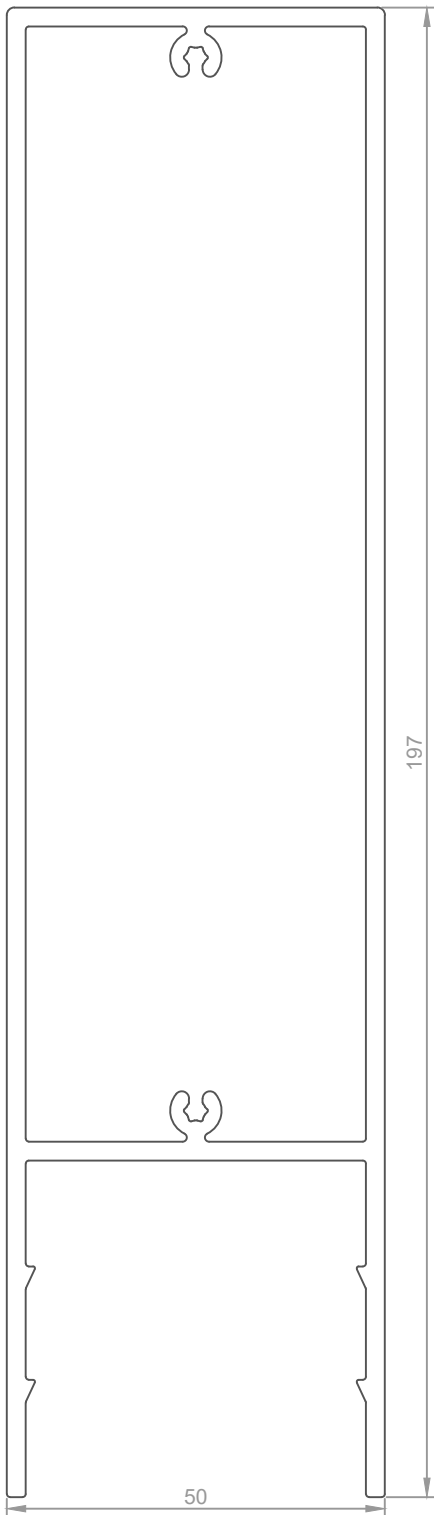


47MM SLIM BATTEN CAP

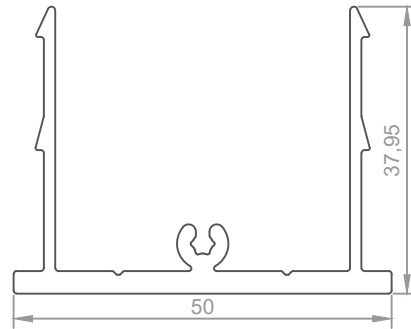
Part no.	Length
BT47	6500

IMPORTANT NOTICE

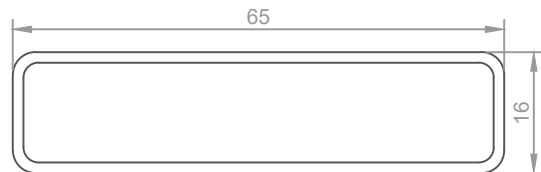
THIS DRAWING AND THE DESIGN SHOWN IS THE INTELLECTUAL PROPERTY OF CONCEPT ARCHITECTURAL SYSTEMS AND IS PROTECTED BY COPYRIGHT. THIS DRAWING MAY NOT BE COPIED OR DISTRIBUTED WITHOUT THE WRITTEN CONSENT OF CONCEPT ARCHITECTURAL SYSTEMS ©



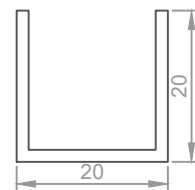
200MM BATTEN	
Part no.	Length
BT200	6500



BATTEN BASE	
Part no.	Length
BTB	6500



PRIVACY SCREEN	
Part no.	Length
PS65	6500



PRIVACY SCREEN CHANNEL	
Part no.	Length
C202016	6500

17 Broadfield Rd
Broadmeadows VIC 3061
03 9357 2888
www.conceptaluminium.com.au

